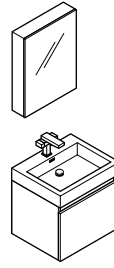
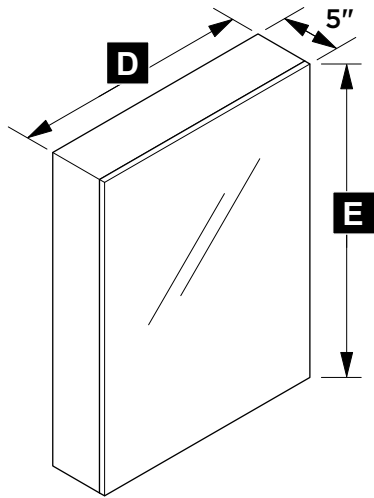


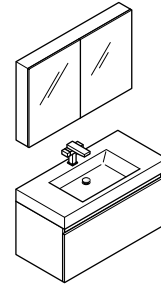
FVN8006 & FVN8010
**NANO & MEZZO
 INSTALLATION GUIDE**



Medicine Cabinet



FVN8006

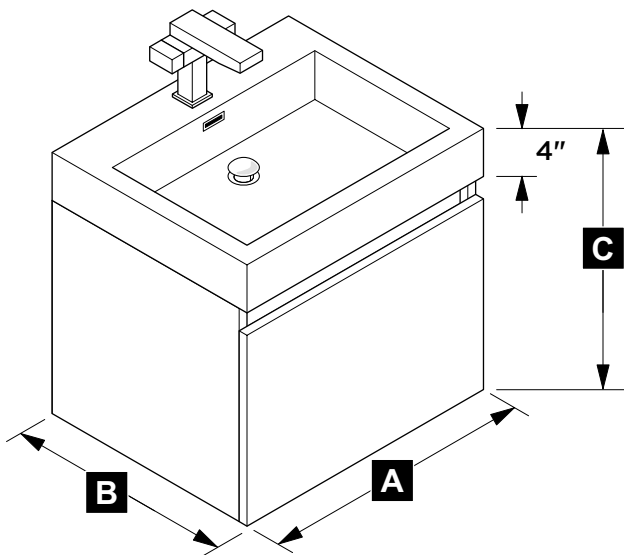


FVN8010

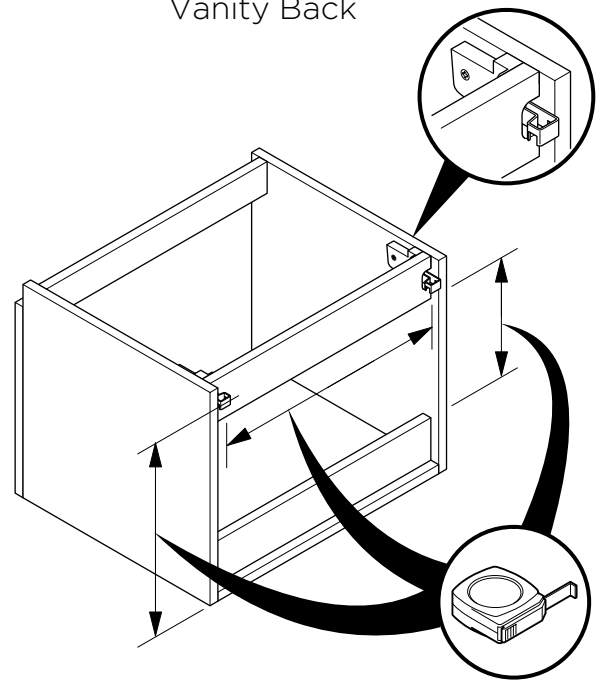
Model	Vanity Width A	Vanity Depth B	Vanity Height C
FVN8006	23-1/4"	18-1/2"	21-1/4"
FVN8010	39"	18-1/2"	22"

Model	Medicine Cabinet D	Medicine Cabinet E
FVN8006	19-3/4"	26"
FVN8010	39-1/2"	25-3/4"

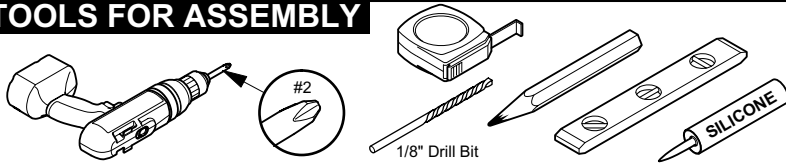
Vanity Front



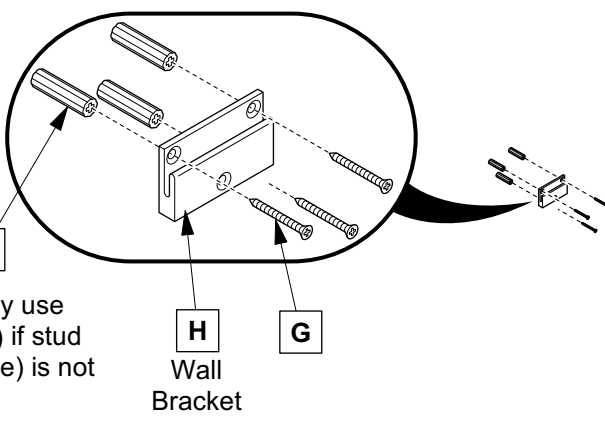
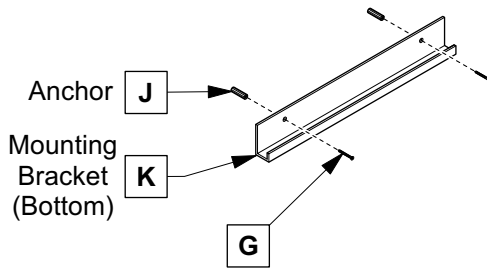
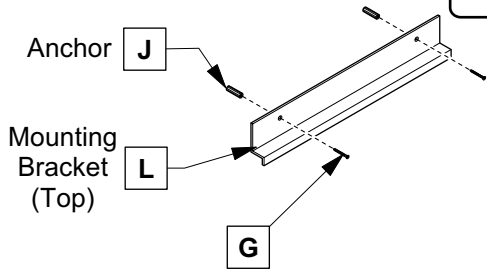
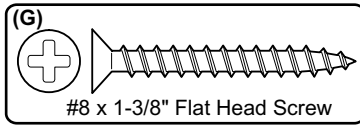
Vanity Back



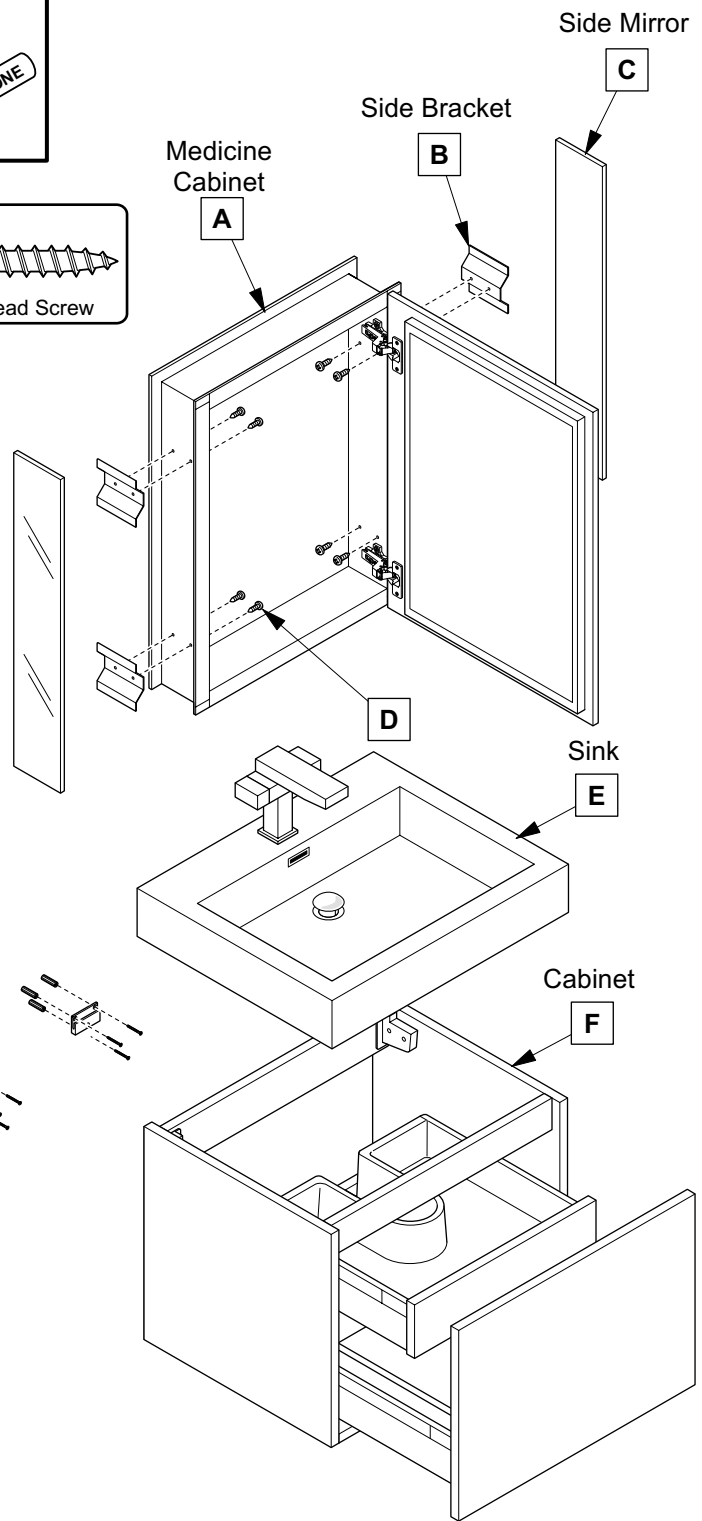
TOOLS FOR ASSEMBLY



PARTS

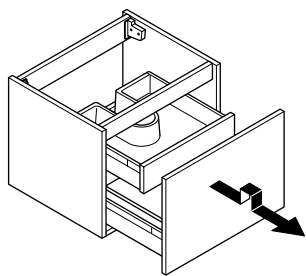


NOTE: Only use anchors (J) if stud (2"x4" frame) is not available.

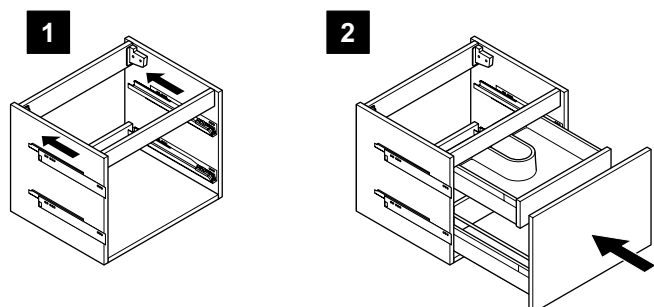


DRAWER REMOVAL & INSTALLATION

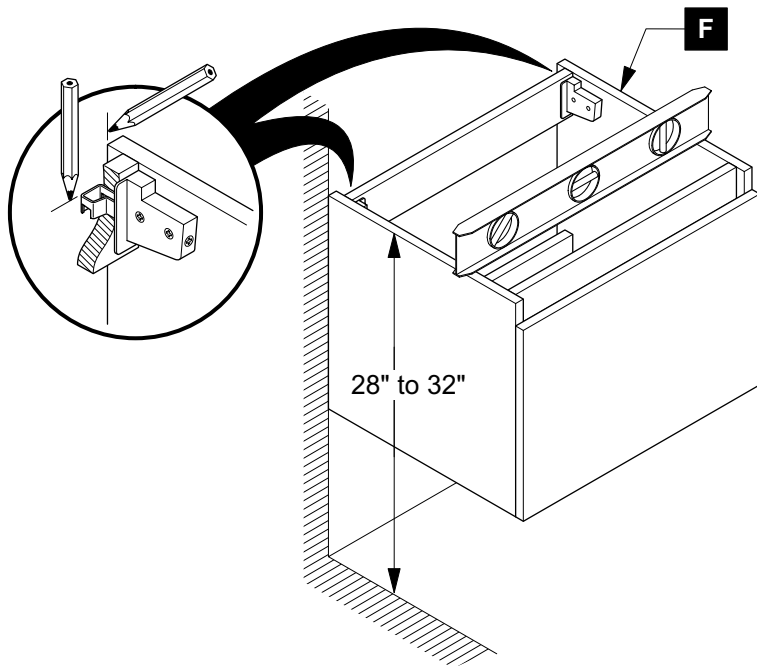
REMOVAL



INSTALLATION

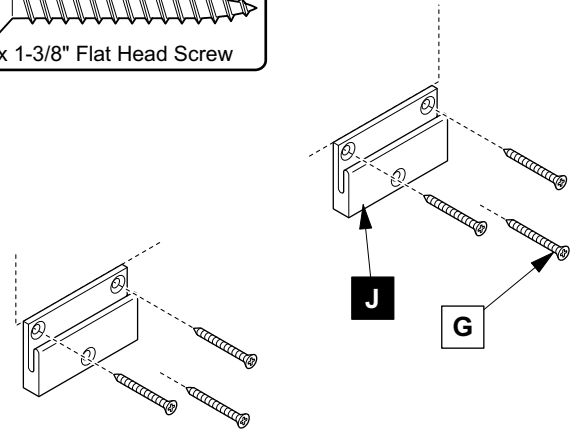
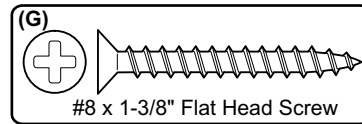


1 Locate cabinet (C) & mark location



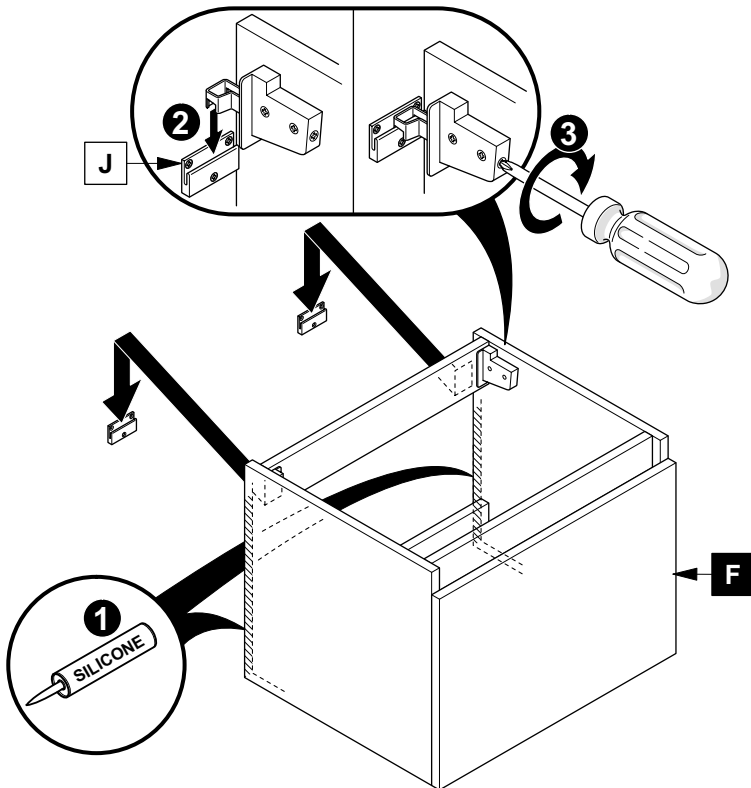
2 Install wall brackets (J)

IMPORTANT: Consult an expert for the proper screws/bolts to use when attaching to various wall constructions. Screws provided do not attach to all wall construction types.

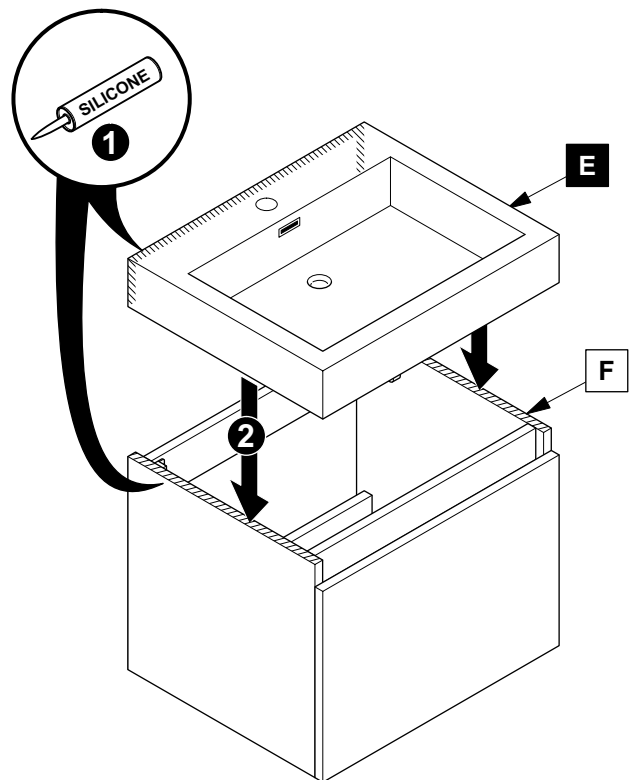


3 Apply silicone and install cabinet (F)

NOTE: If necessary remove drawers to access connection mechanism.

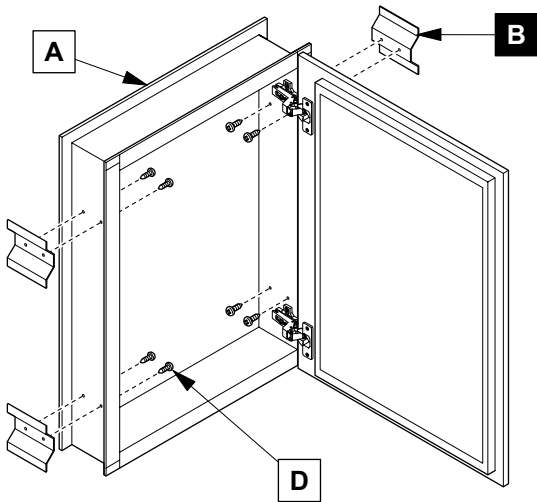


4 Apply silicone and install sink (E)

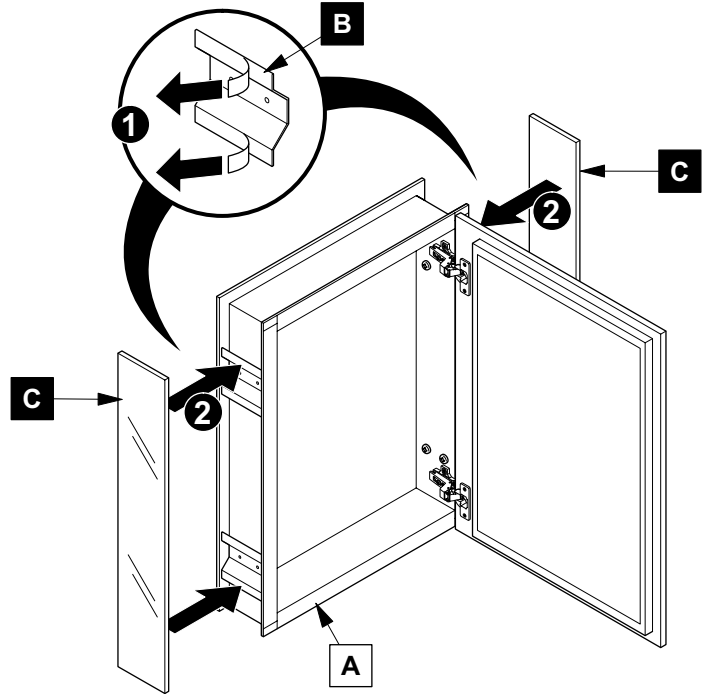


MEDICINE CABINET INSTALLATION

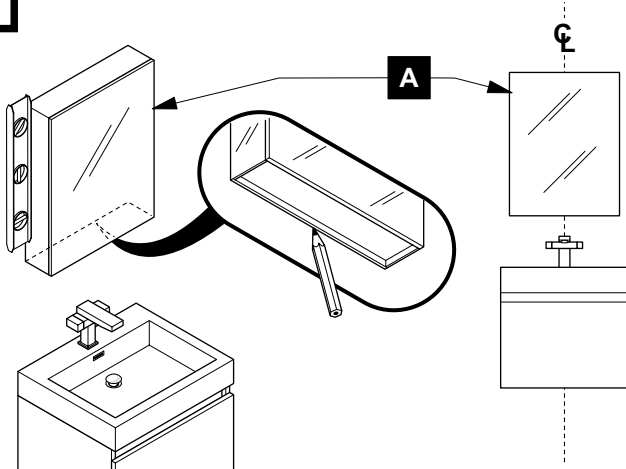
1 Install side brackets (B)



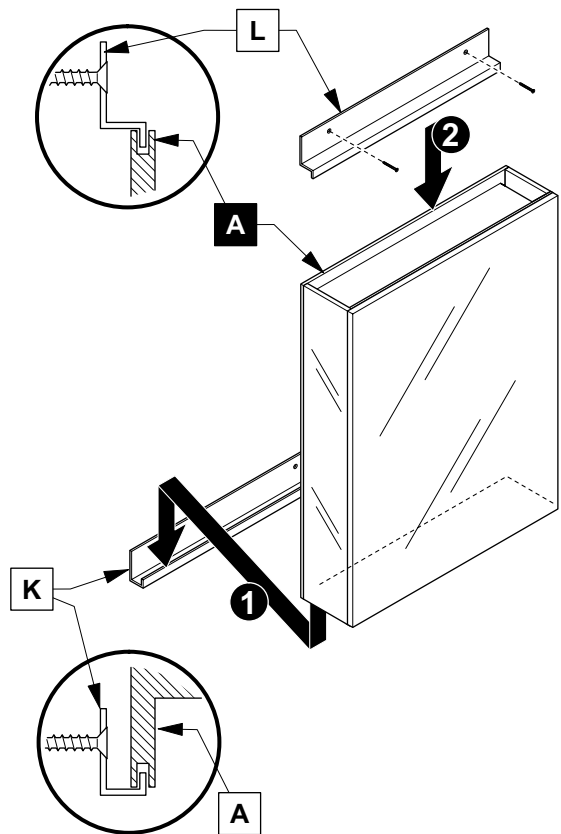
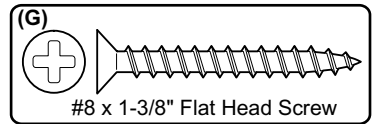
2 Install side mirrors (C)



3 Mark cabinet (A) location



5 Install cabinet (A)



4 Install bottom bracket (K)

IMPORTANT: Consult an expert for the proper screws/bolts to use when attaching to various wall constructions. Screws provided **do not** attach to all wall construction types.

