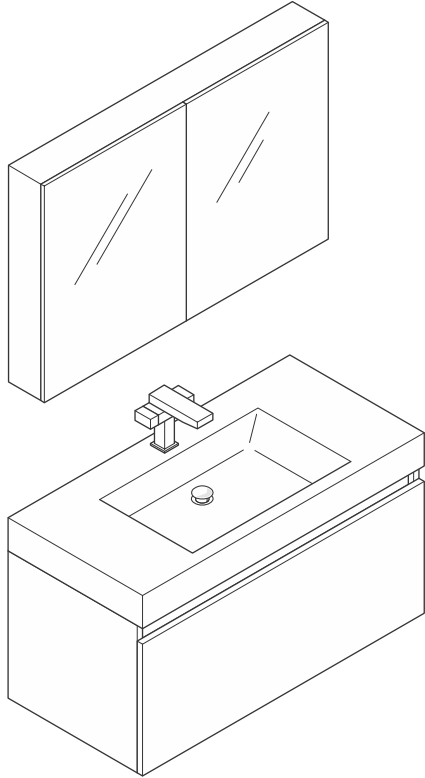


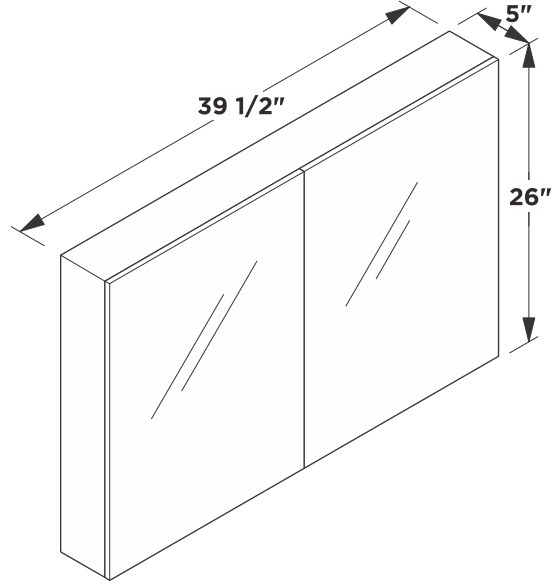
**FVN8010
MEZZO
INSTALLATION GUIDE**



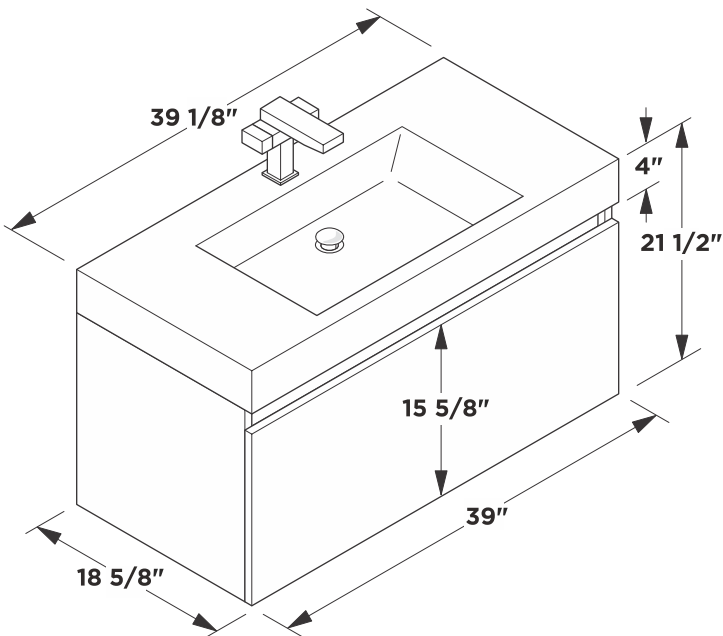
FRESCA®



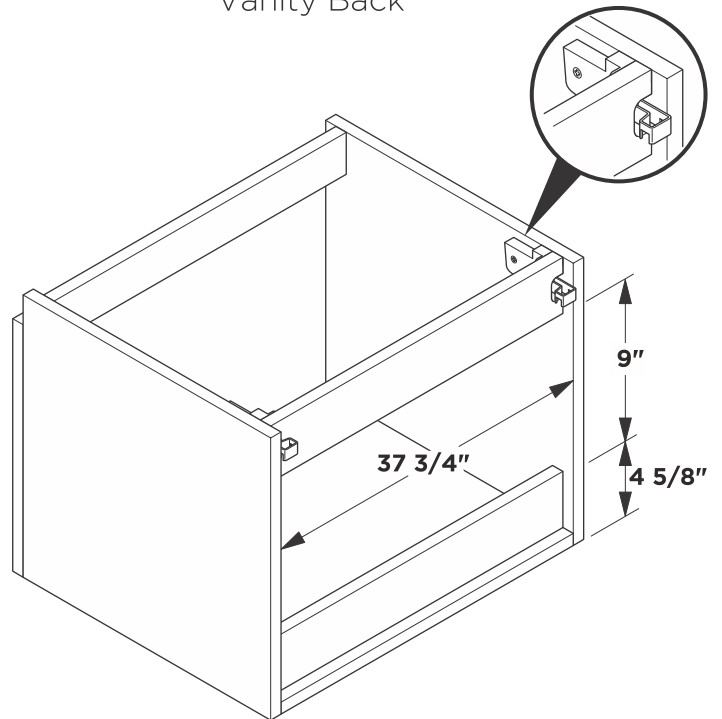
Medicine Cabinet



Vanity Front



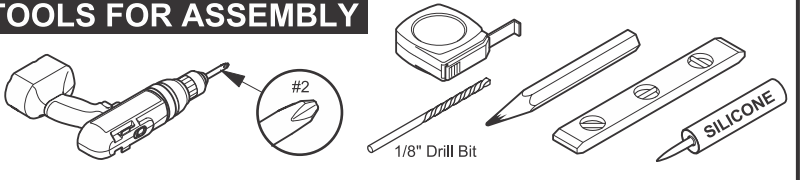
Vanity Back



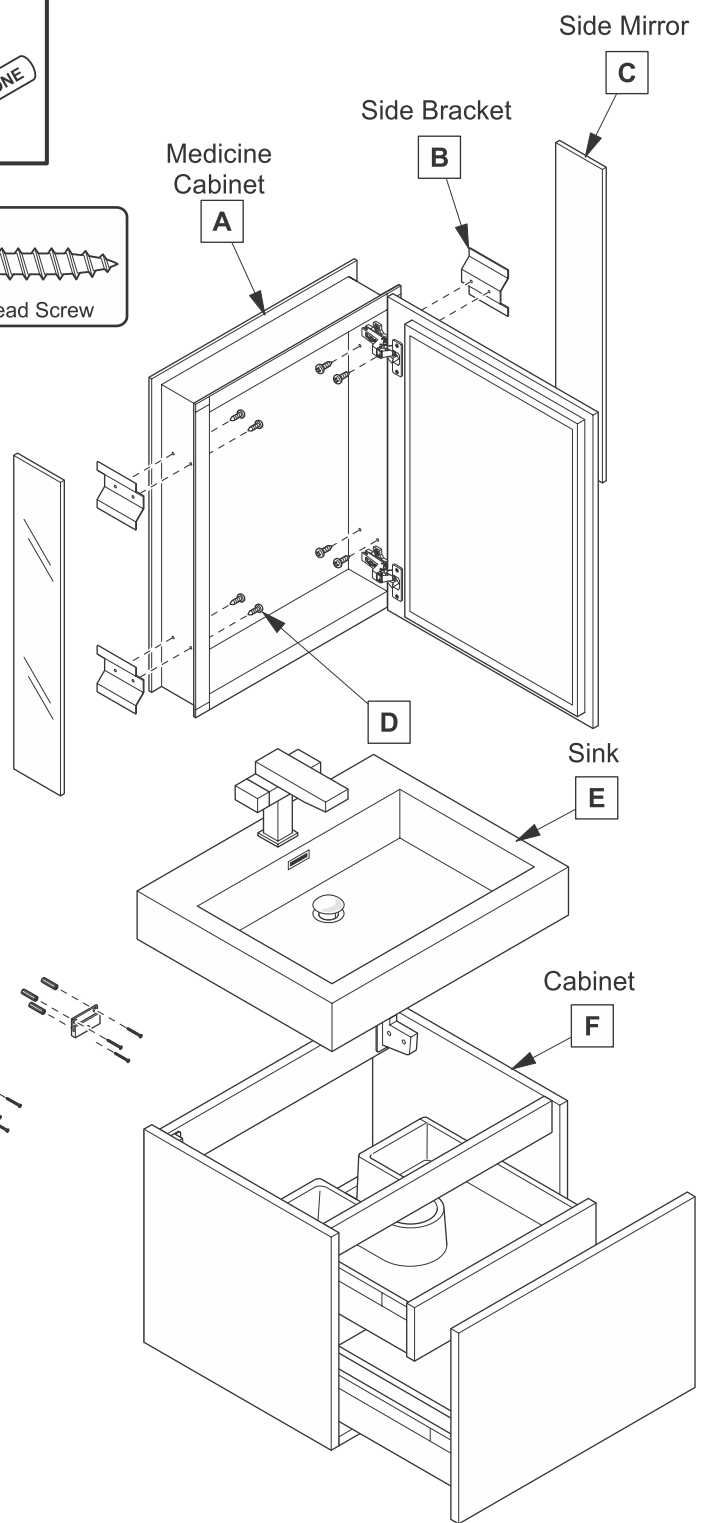
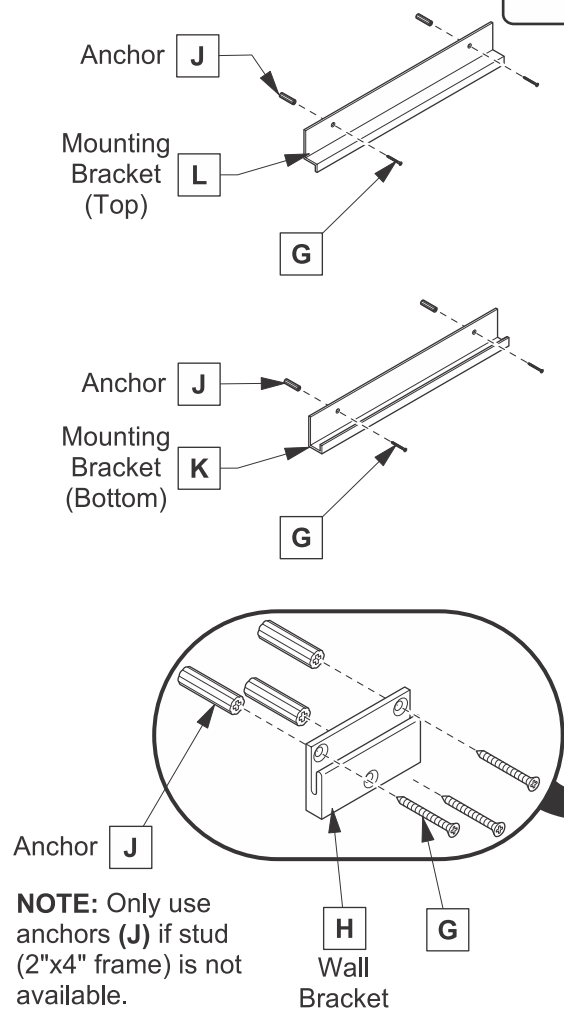
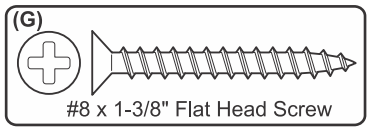
Note: All dimensions and specifications are approximate and subject to change without notice.



TOOLS FOR ASSEMBLY

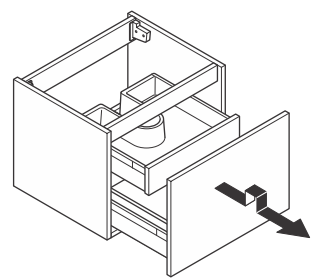


PARTS

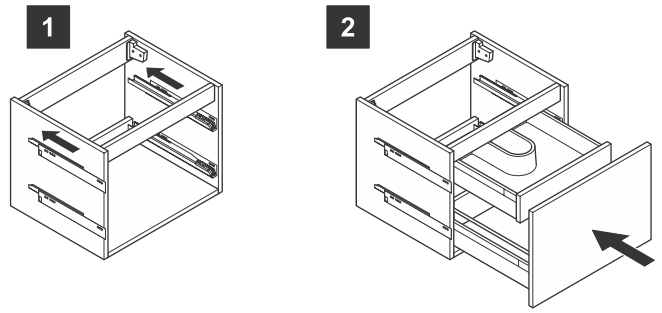


DRAWER REMOVAL & INSTALLATION

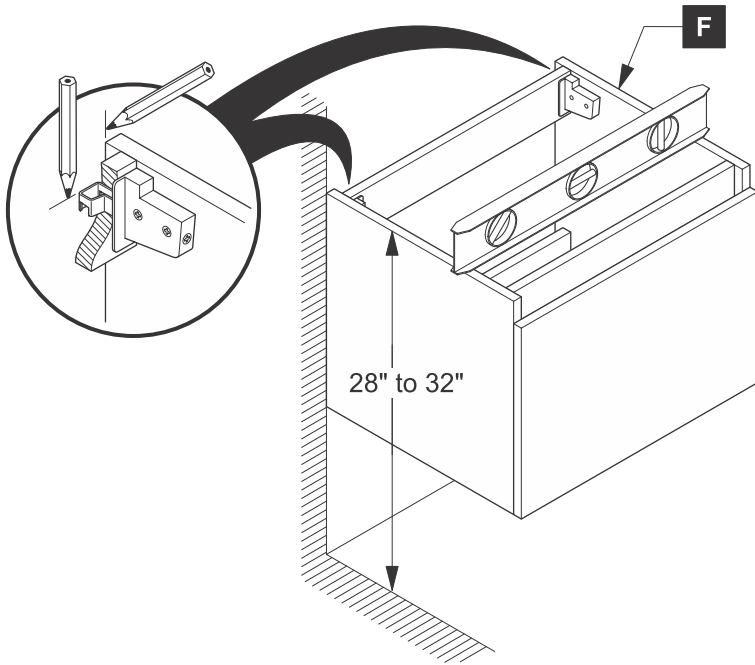
REMOVAL



INSTALLATION

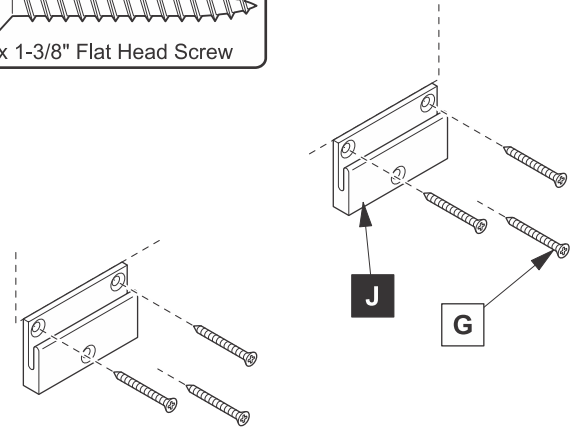
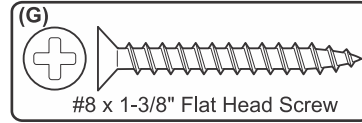


1 Locate cabinet (C) & mark location



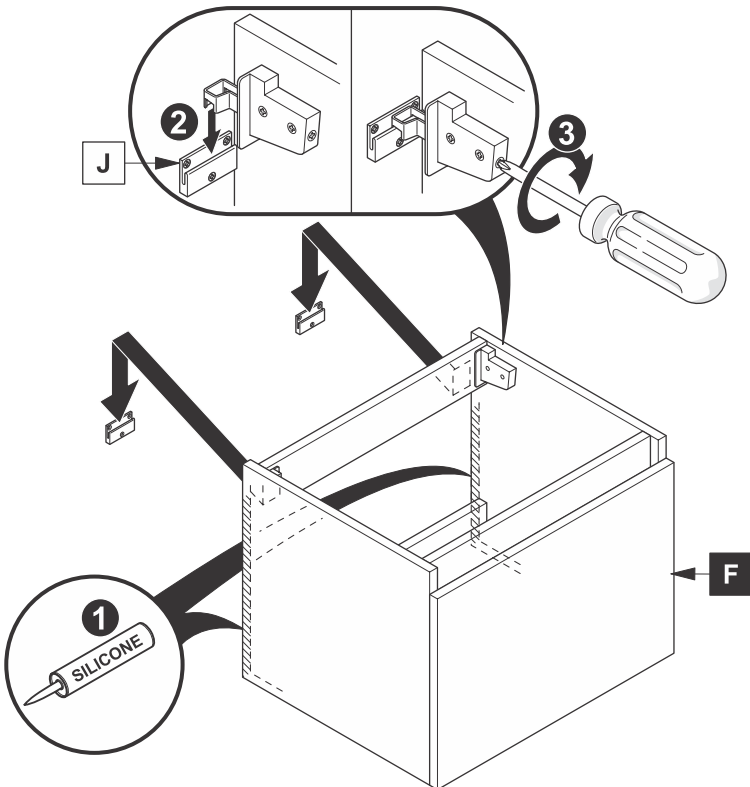
2 Install wall brackets (J)

IMPORTANT: Consult an expert for the proper screws/bolts to use when attaching to various wall constructions. Screws provided do not attach to all wall construction types.

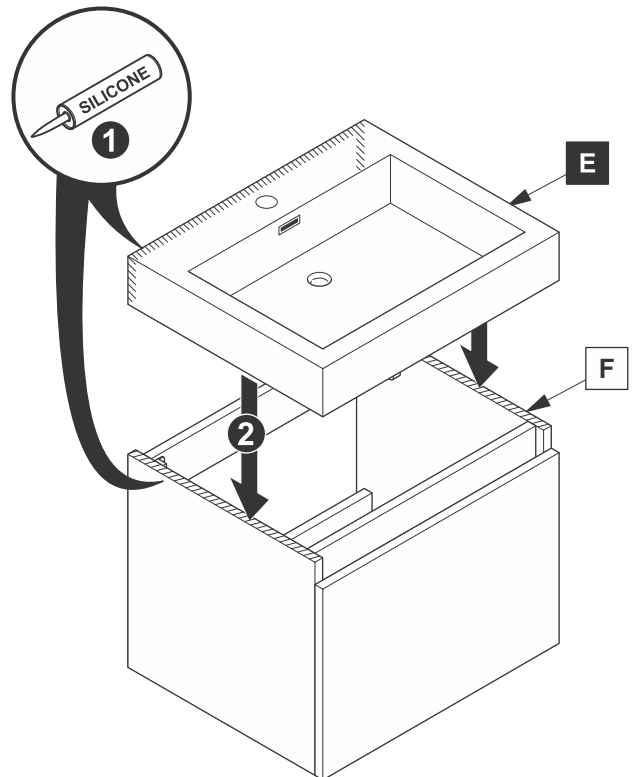


3 Apply silicone and install cabinet (F)

NOTE: If necessary remove drawers to access connection mechanism.

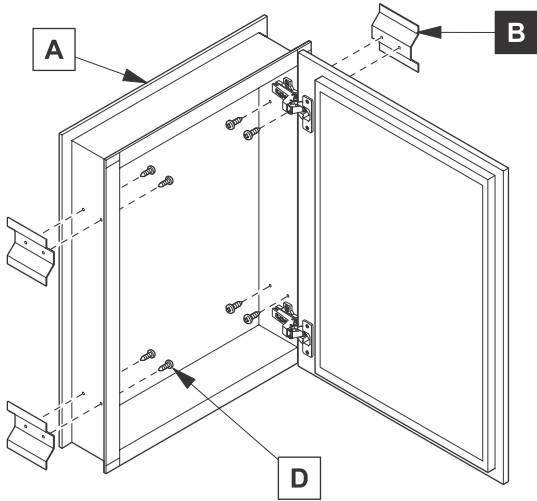


4 Apply silicone and install sink (E)

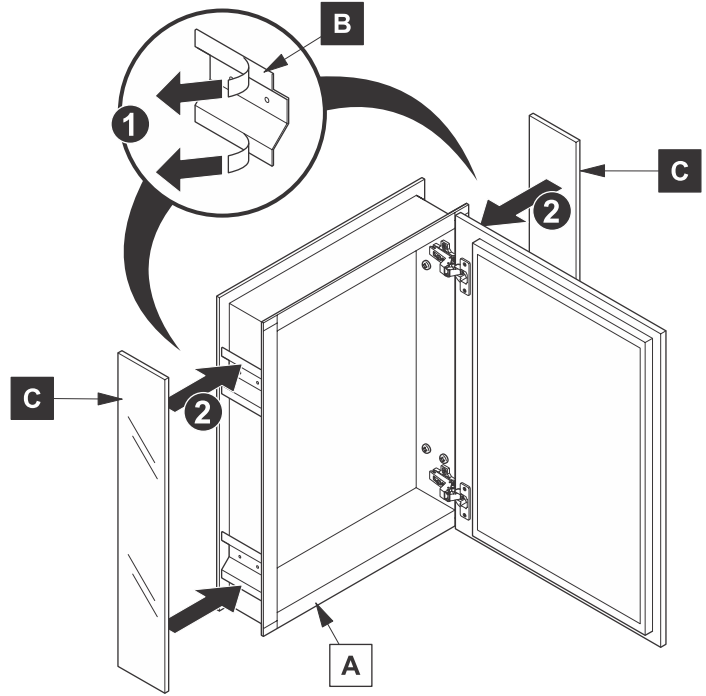


MEDICINE CABINET INSTALLATION

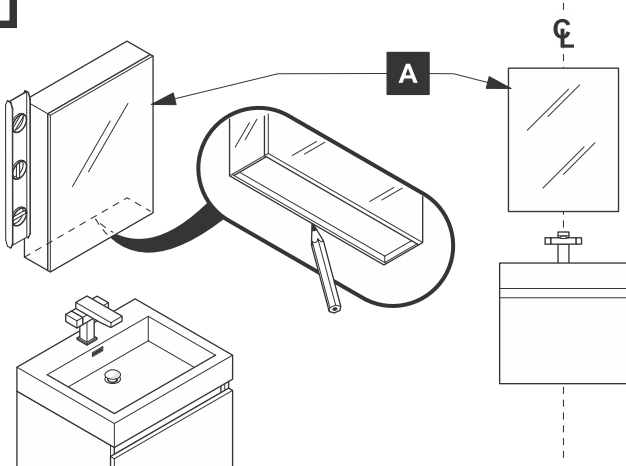
1 Install side brackets (B)



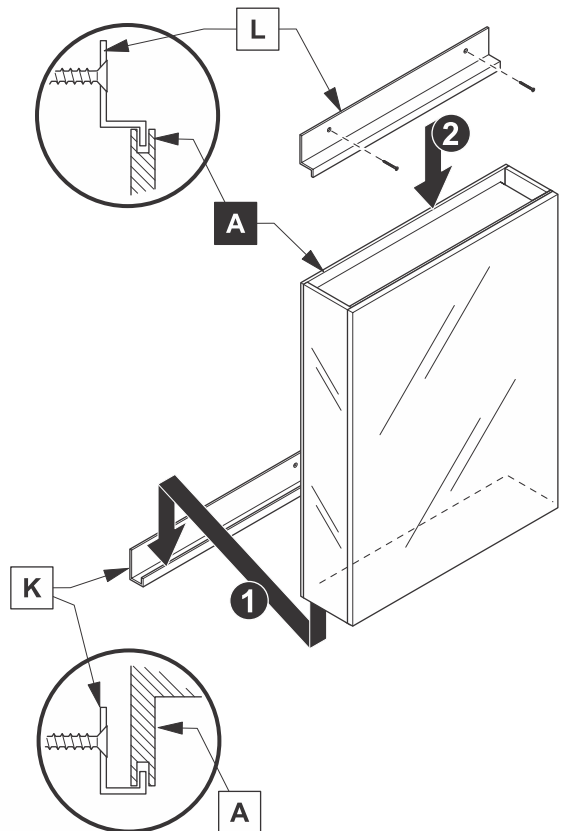
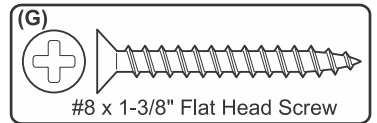
2 Install side mirrors (C)



3 Mark cabinet (A) location

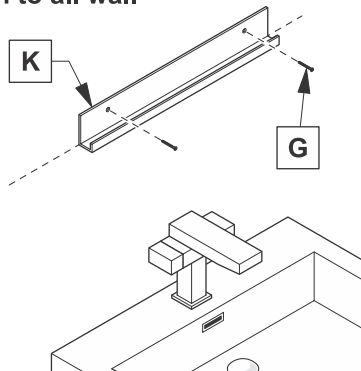
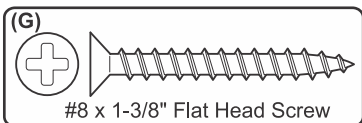


5 Install cabinet (A)



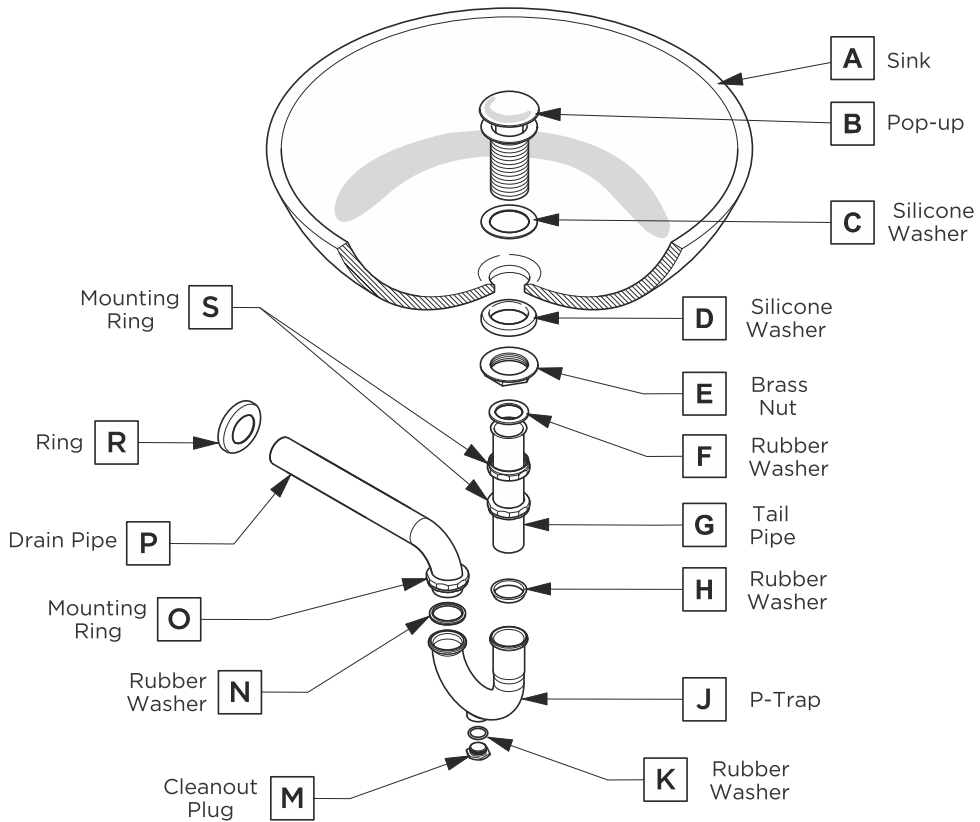
4 Install bottom bracket (K)

IMPORTANT: Consult an expert for the proper screws/bolts to use when attaching to various wall constructions. Screws provided do not attach to all wall construction types.



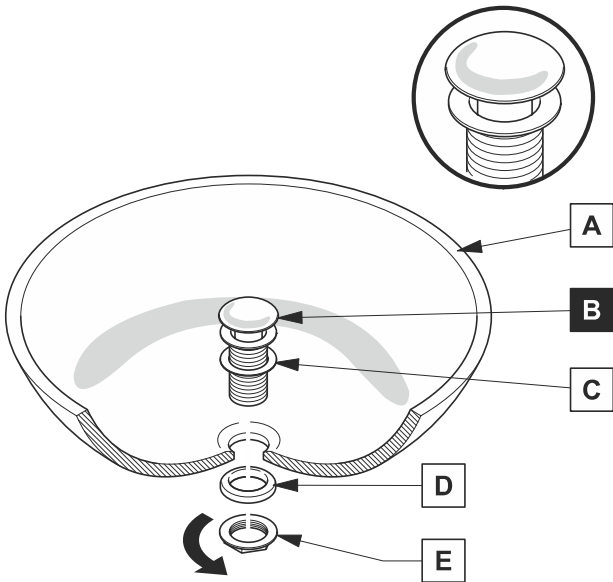
P-TRAP AND POP-UP INSTALLATION INSTRUCTIONS

Your item may appear slightly different from the illustration



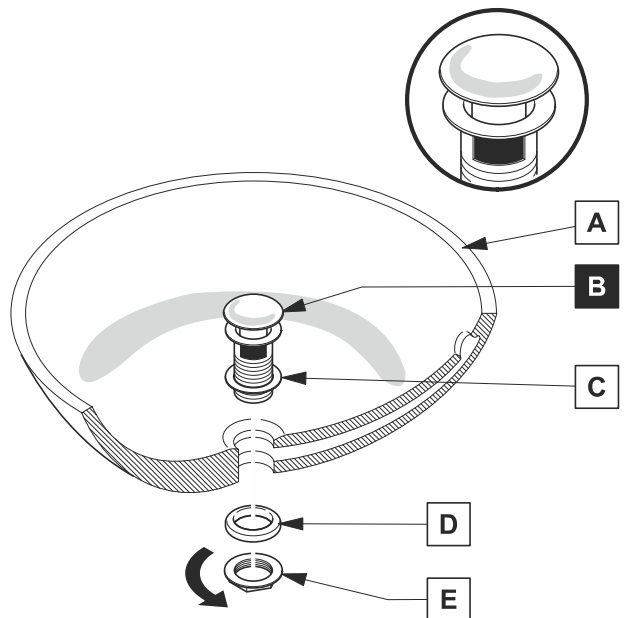
POP-UP INSTALLATION

FOR SINKS WITHOUT OVERFLOW



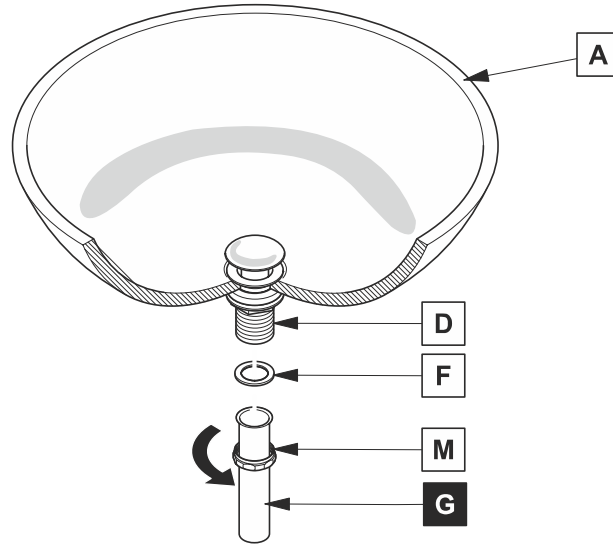
OR

FOR SINKS WITH OVERFLOW



P-TRAP INSTALLATION

1 Install tail pipe (G)



2 Install p-trap (J)

