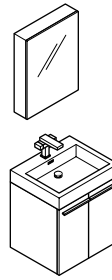
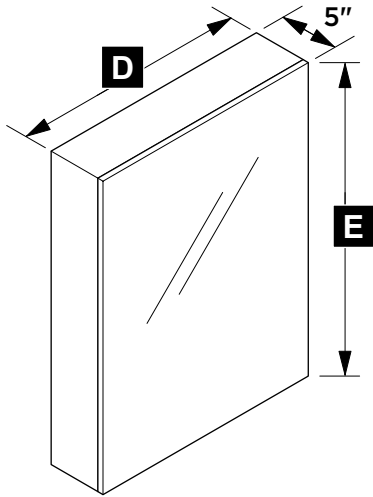




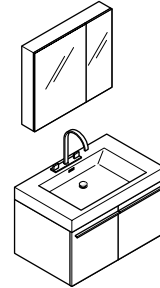
FVN8058 & FVN8090  
ALTO & VISTA  
INSTALLATION GUIDE



Medicine Cabinet



FVN8058

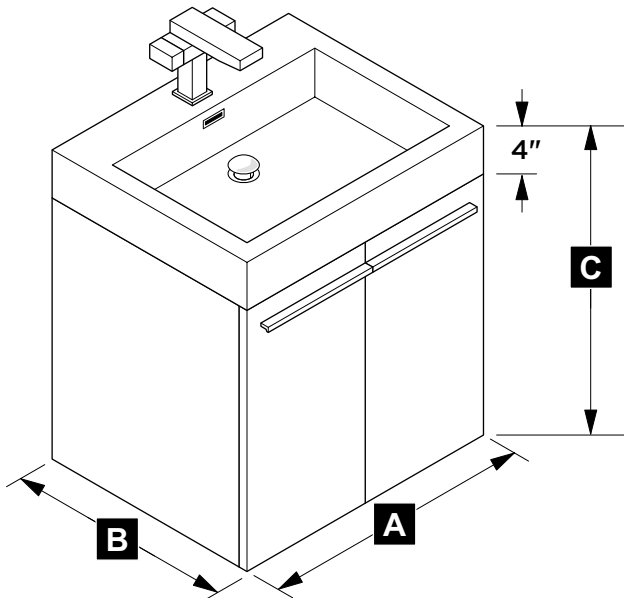


FVN8090

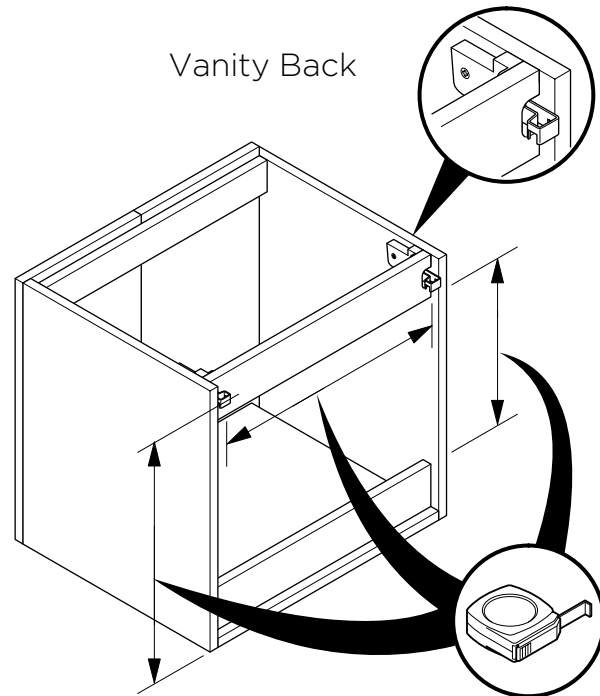
Model	Vanity Width <b>A</b>	Vanity Depth <b>B</b>	Vanity Height <b>C</b>
FVN8058	23"	19-3/4"	25-3/4"
FVN8090	35-1/4"	18-1/2"	21-3/4"

Model	Medicine Cabinet <b>D</b>	Medicine Cabinet <b>E</b>
FVN8058	19-3/4"	26"
FVN8090	29-3/4"	26"

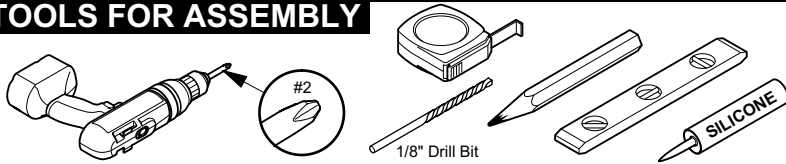
Vanity Front



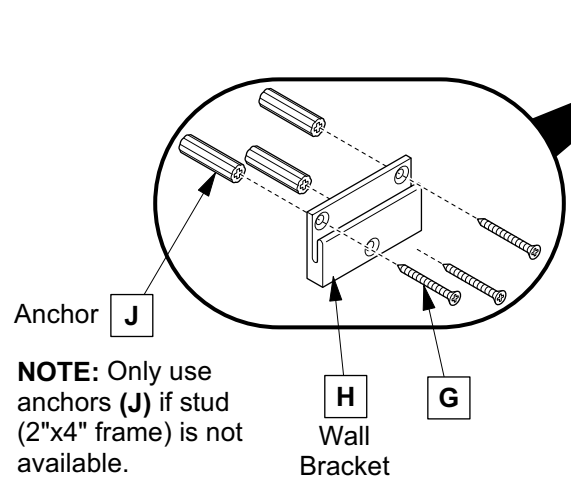
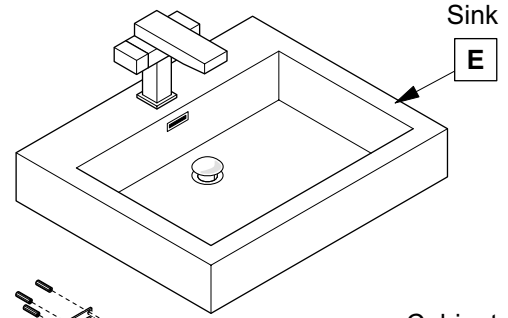
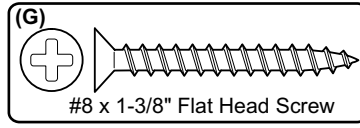
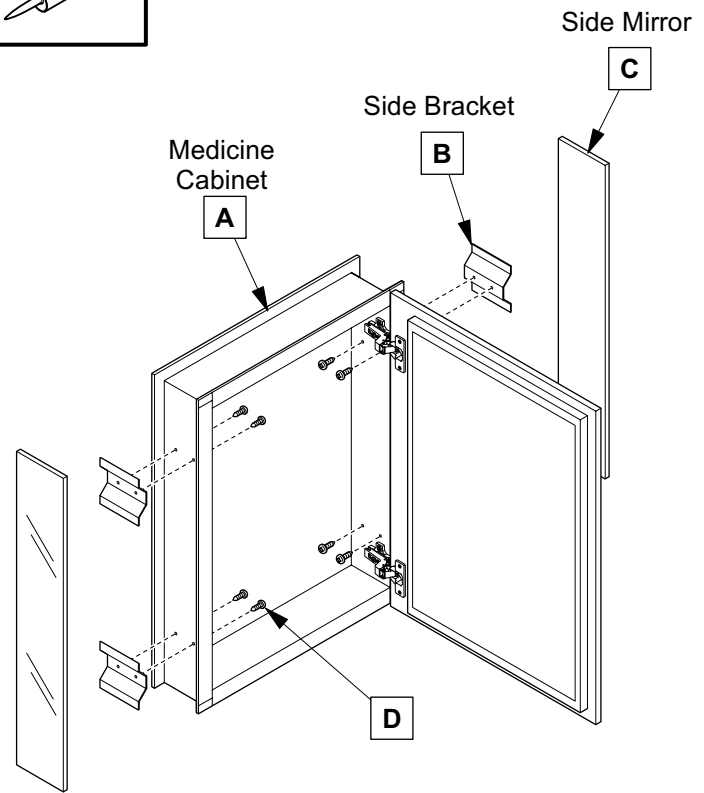
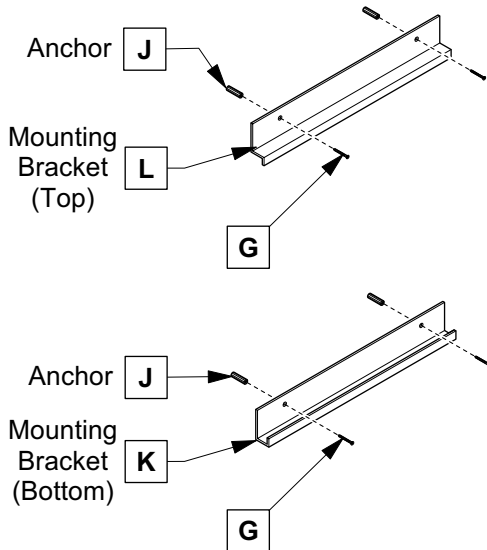
Vanity Back



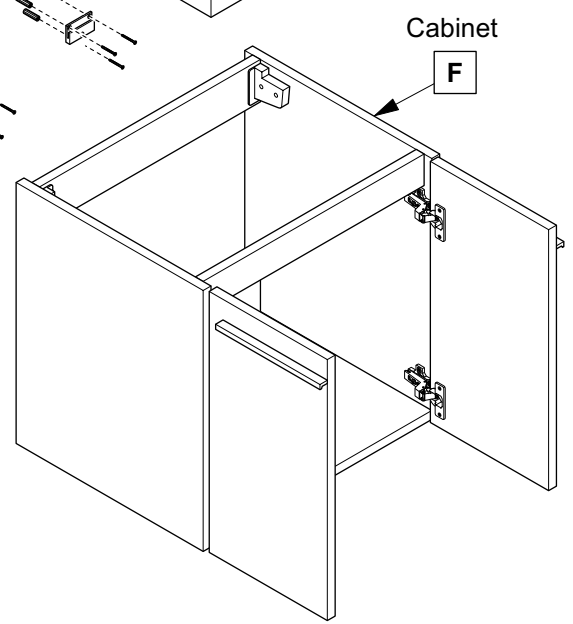
**TOOLS FOR ASSEMBLY**

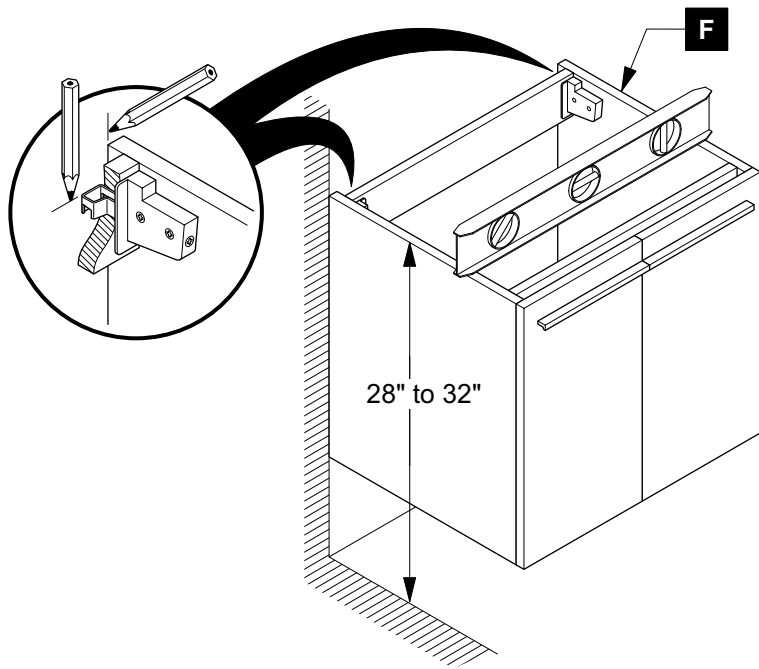


**PARTS**

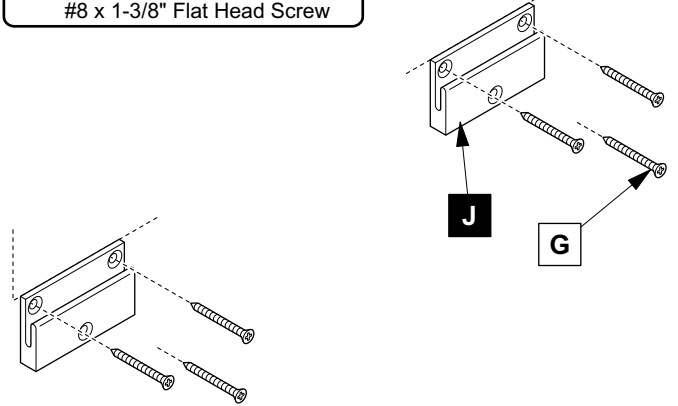
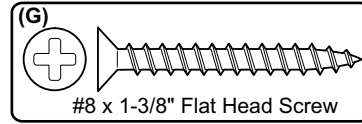
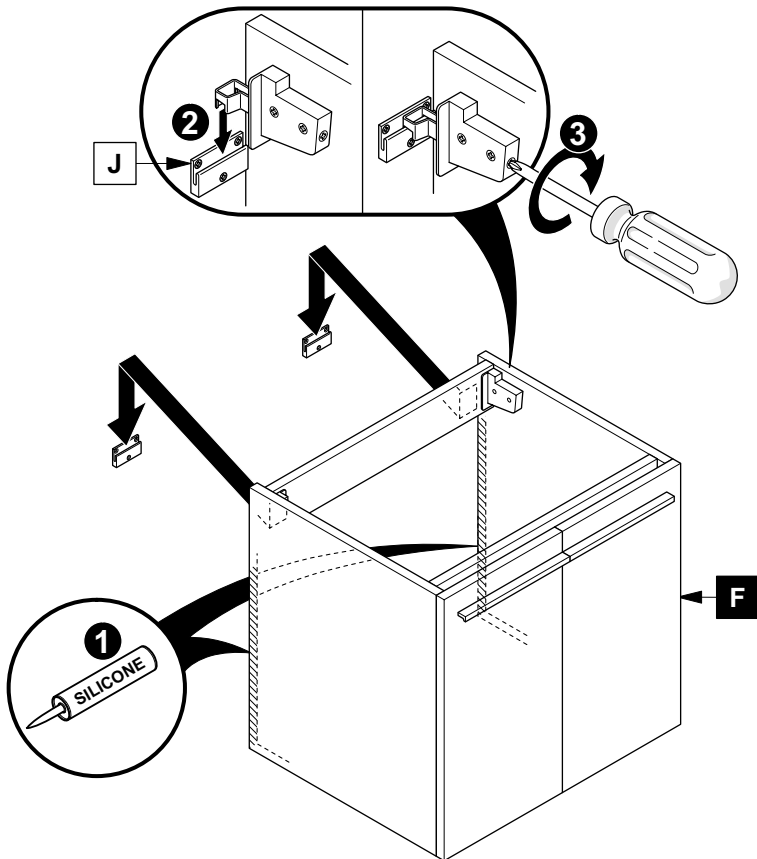
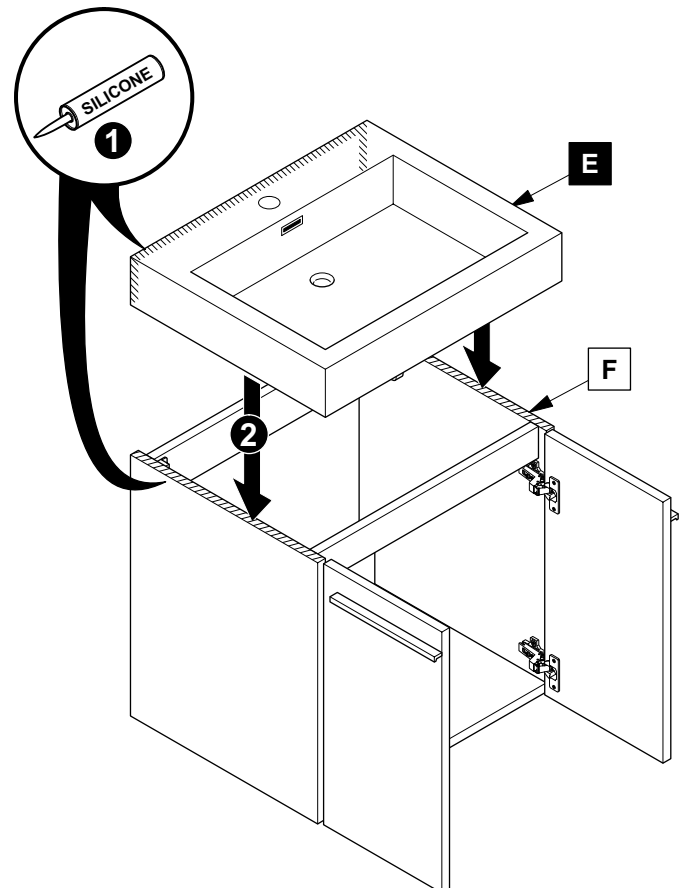


**NOTE:** Only use anchors (**J**) if stud (2"x4" frame) is not available.



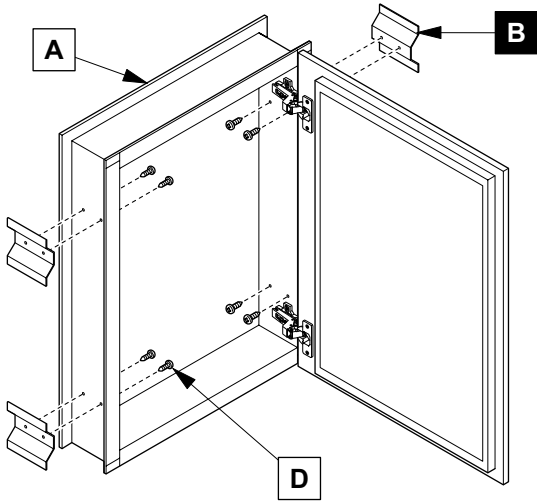
**1****Locate cabinet (C) & mark location****2****Install wall brackets (J)**

**IMPORTANT:** Consult an expert for the proper screws/bolts to use when attaching to various wall constructions. Screws provided do not attach to all wall construction types.

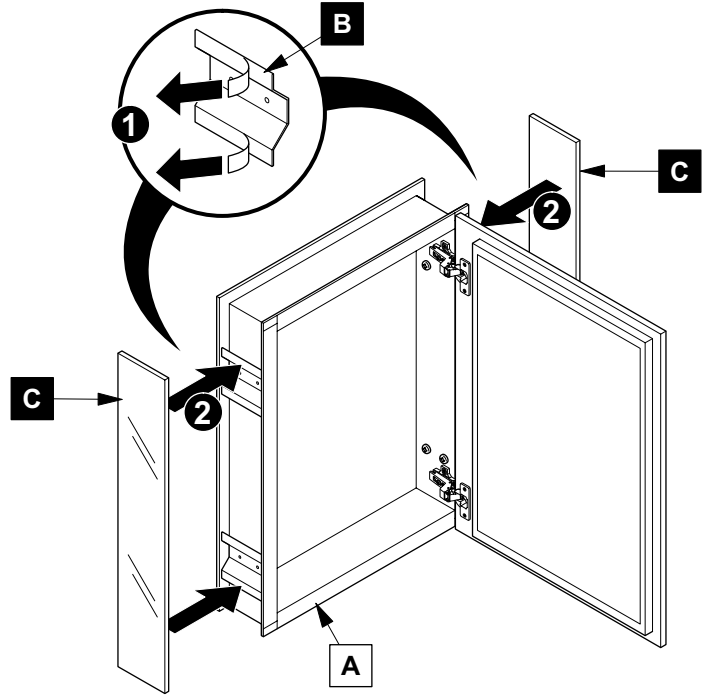
**3****Apply silicone and install cabinet (F)****4****Apply silicone and install sink (E)**

# MEDICINE CABINET INSTALLATION

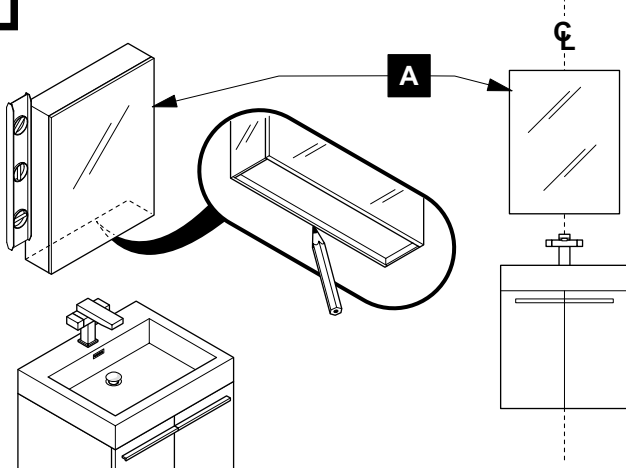
## 1 Install side brackets (B)



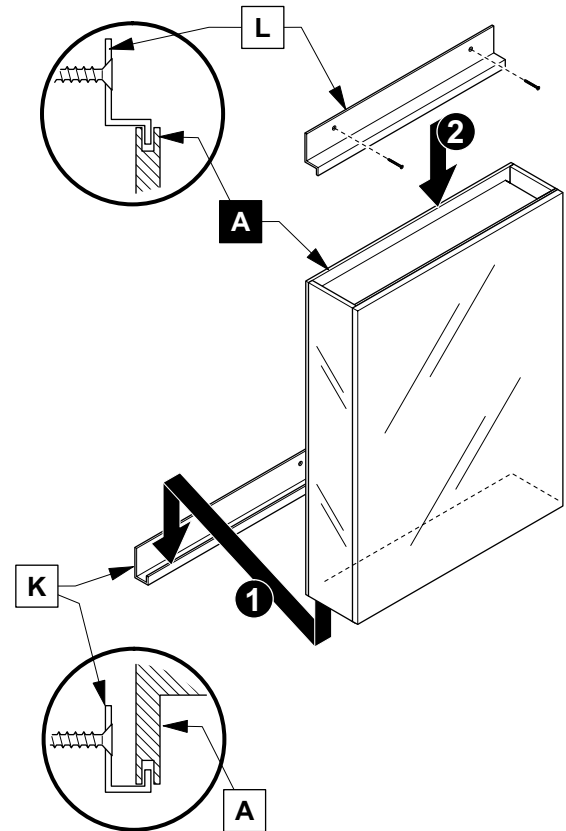
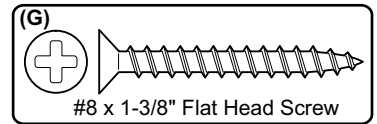
## 2 Install side mirrors (C)



## 3 Mark cabinet (A) location



## 5 Install cabinet (A)



## 4 Install bottom bracket (K)

**IMPORTANT:** Consult an expert for the proper screws/bolts to use when attaching to various wall constructions. Screws provided **do not** attach to all wall construction types.

