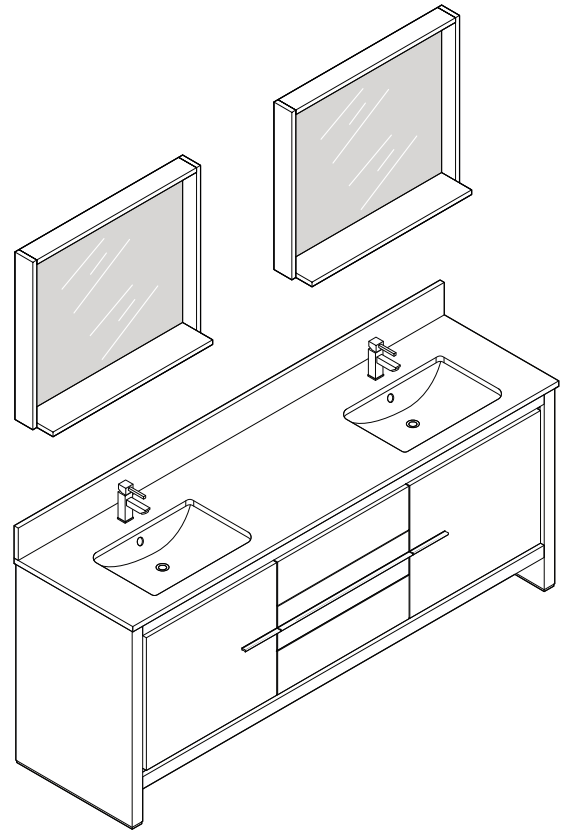
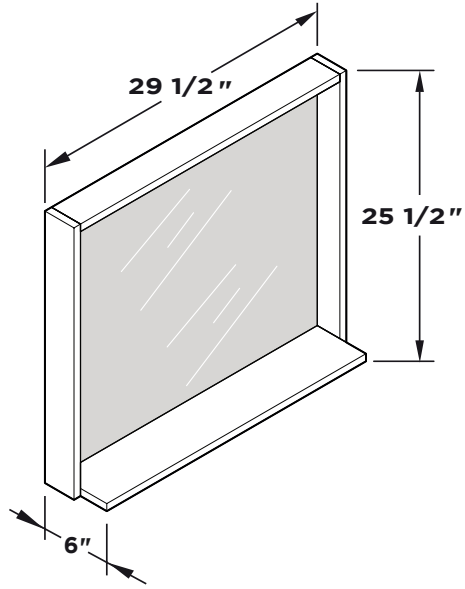


FVN8172
ALLIER
INSTALLATION GUIDE

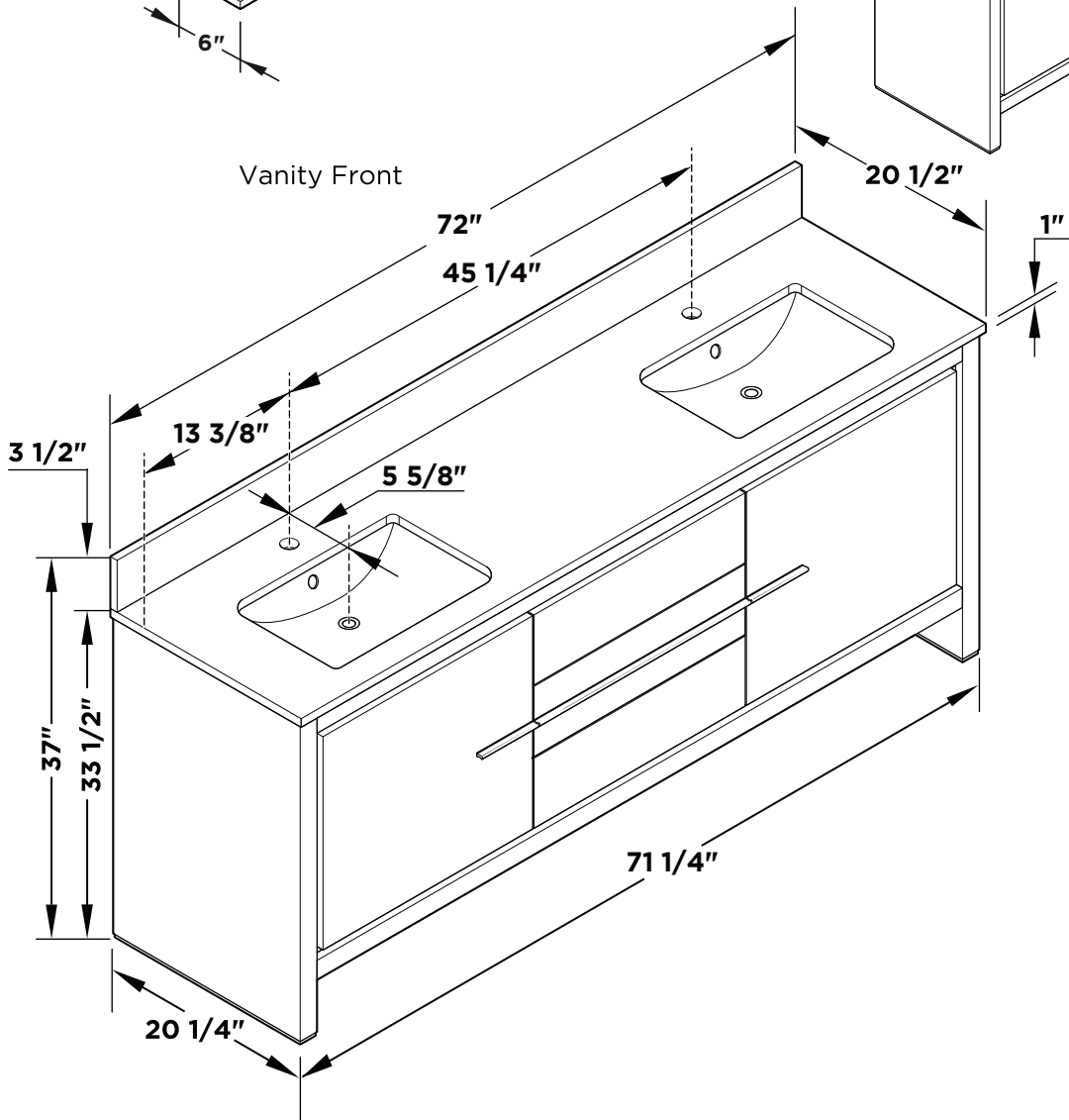


FRESCA™

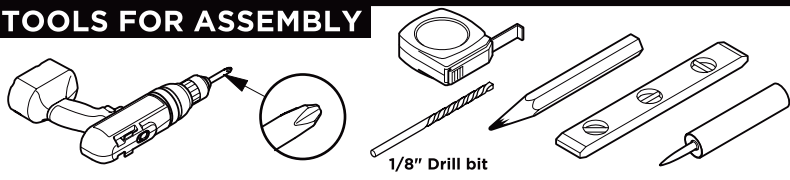
Mirror



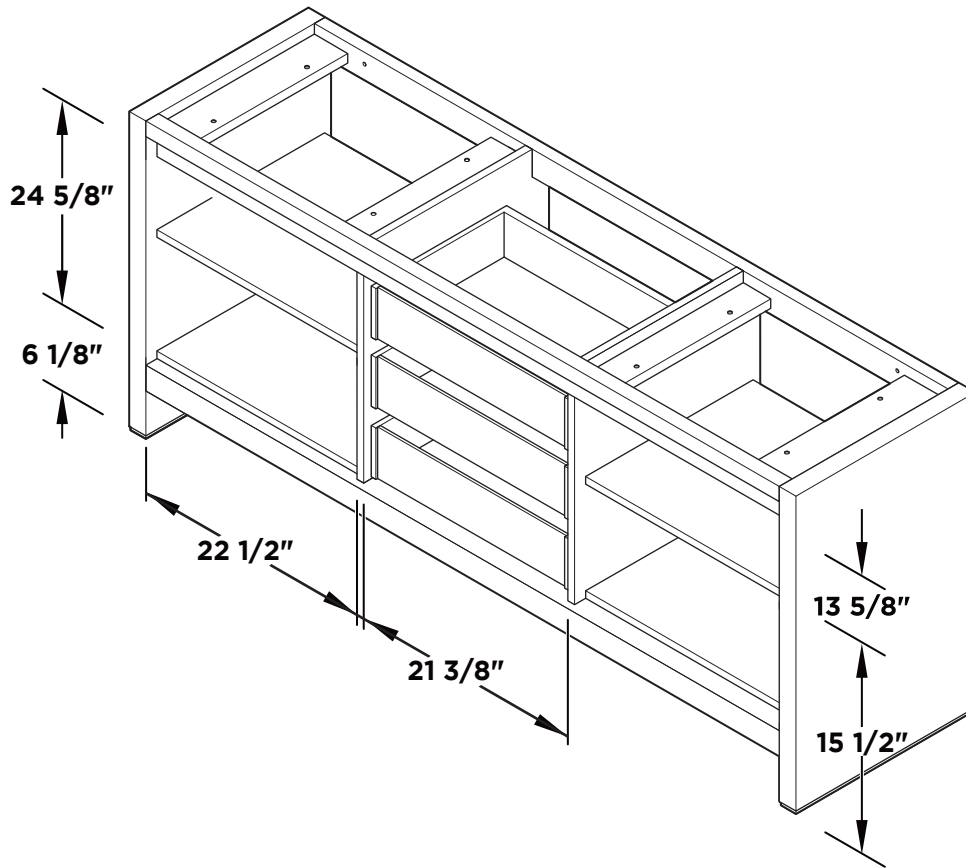
Vanity Front



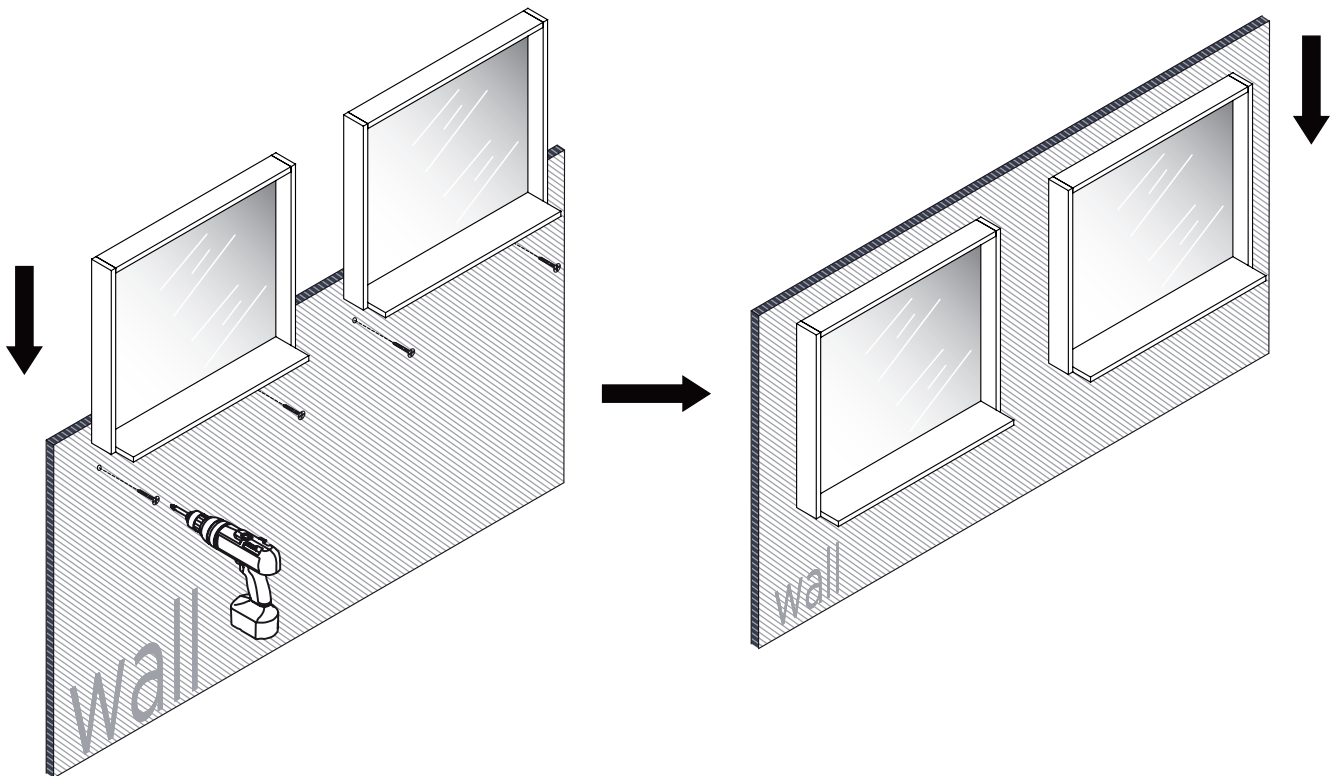
TOOLS FOR ASSEMBLY



Vanity Back

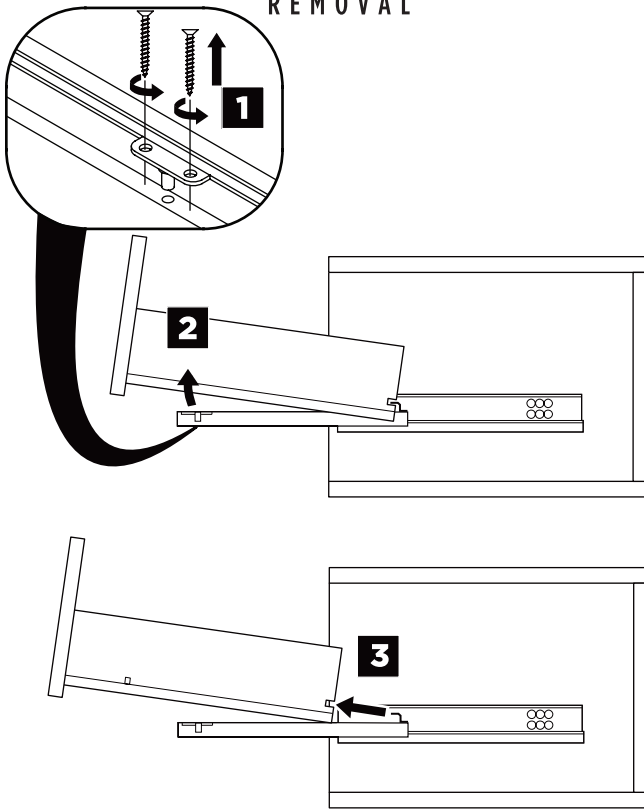


MIRROR INSTALLATION

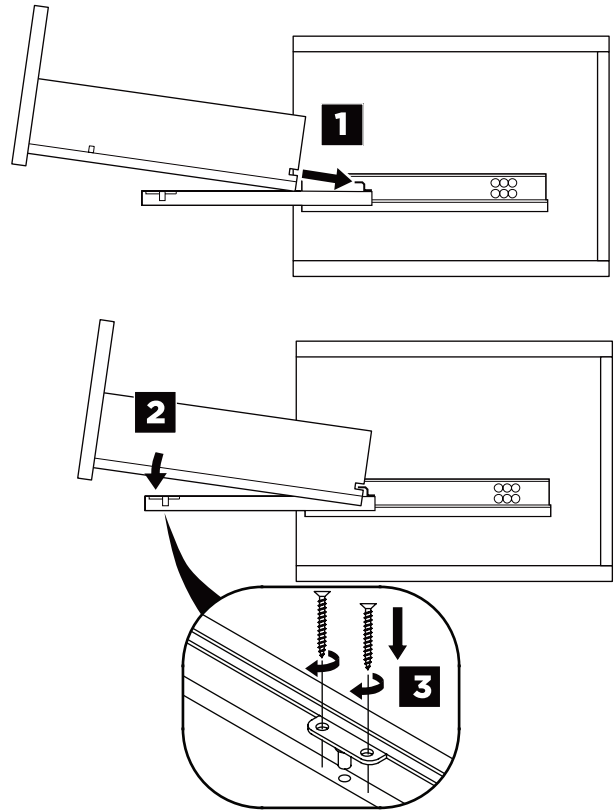


DRAWER REMOVAL & INSTALLATION

REMOVAL



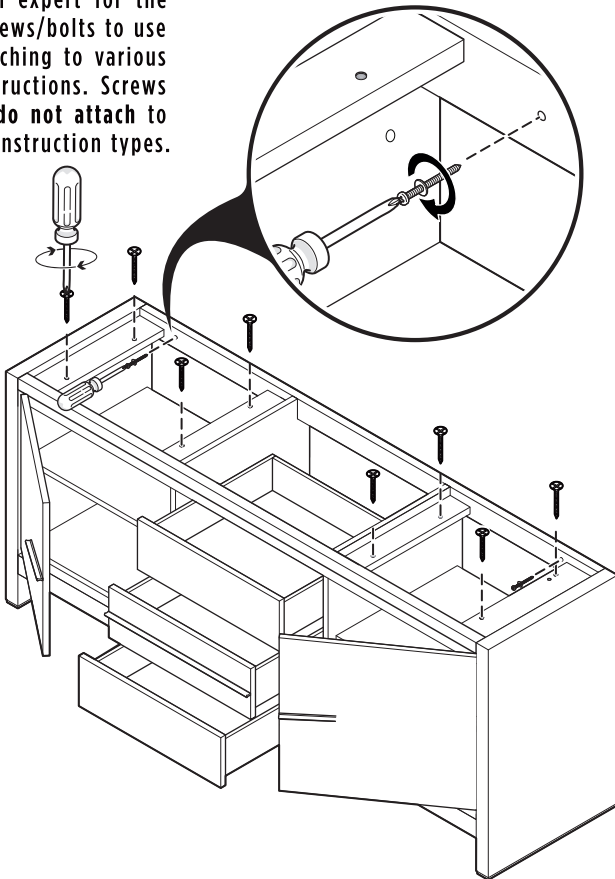
INSTALLATION



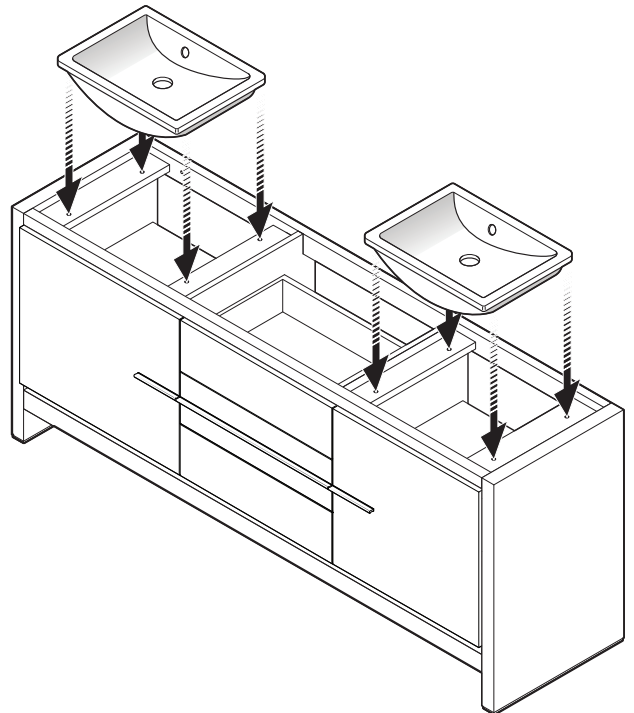
1 Attach Screws

IMPORTANT:

Consult an expert for the proper screws/bolts to use when attaching to various wall constructions. Screws provided do not attach to all wall construction types.

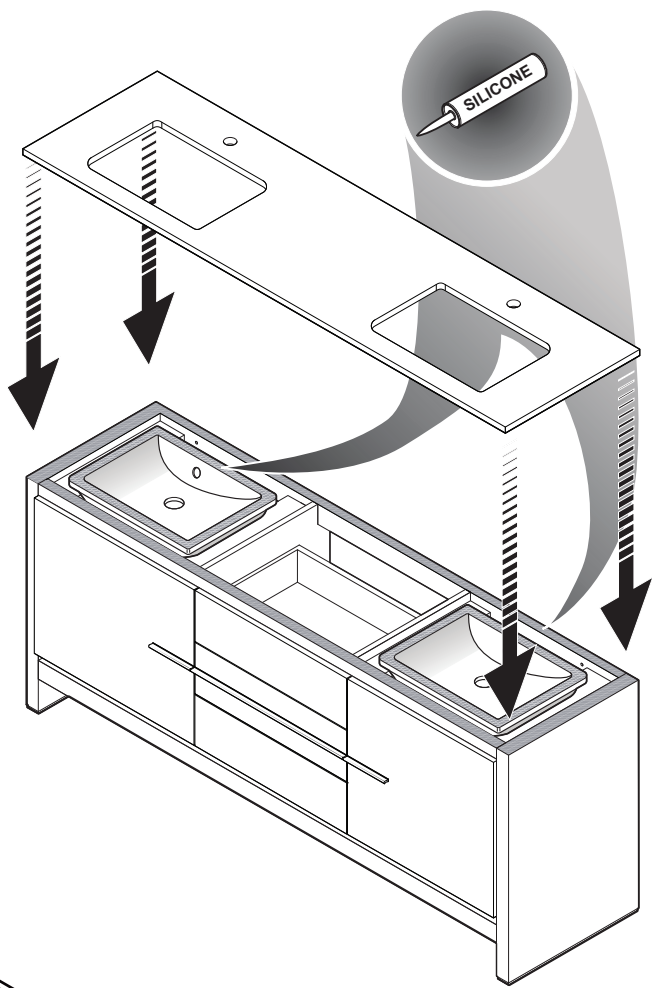


2 Install Sinks



3

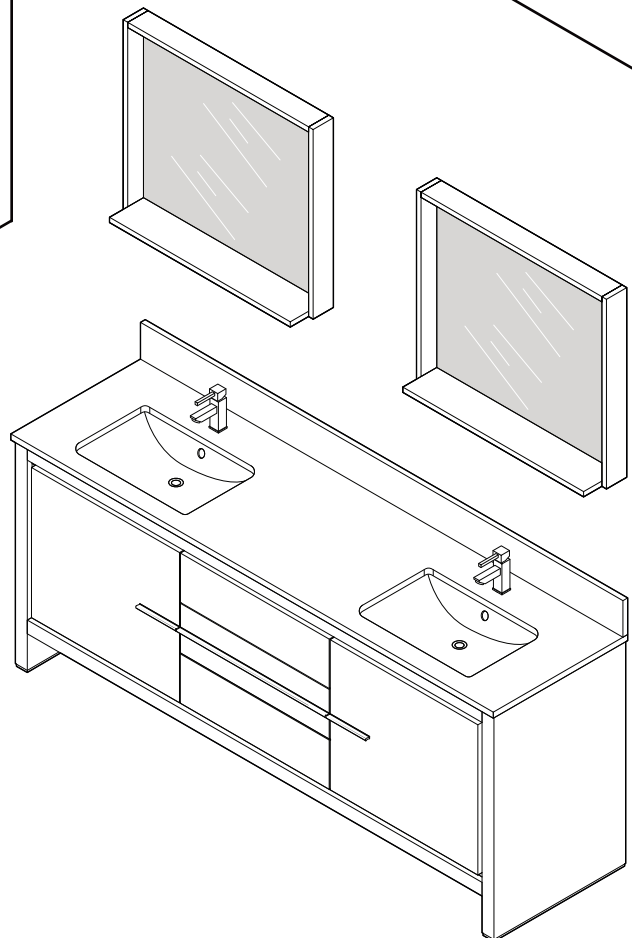
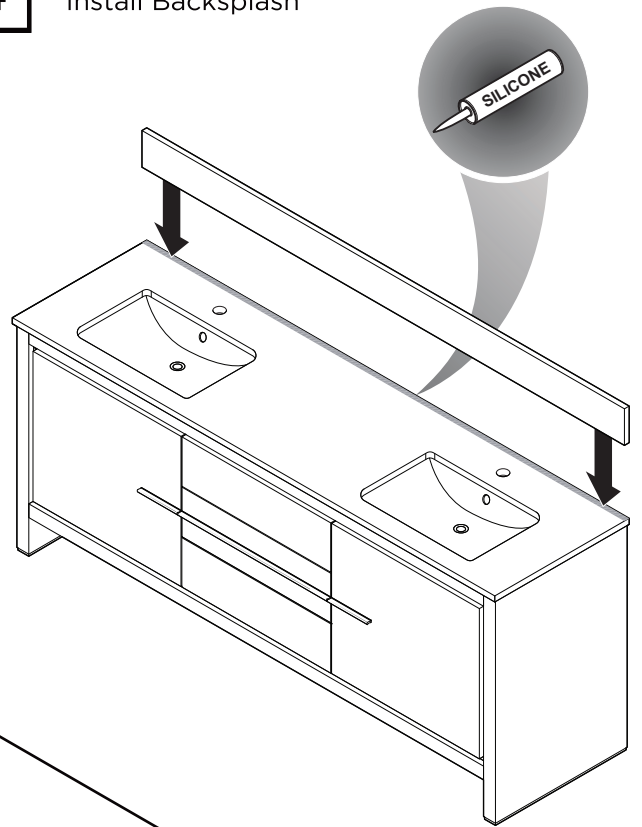
Install Countertop



FINAL
PRODUCT
FVN8172

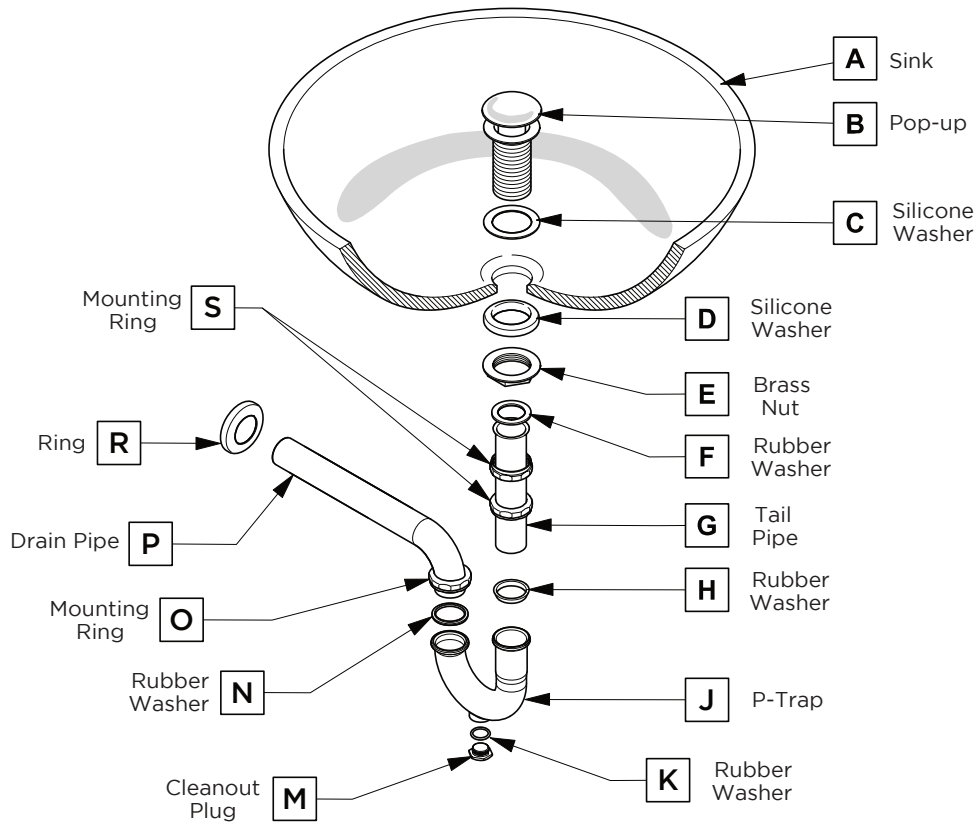
4

Install Backsplash



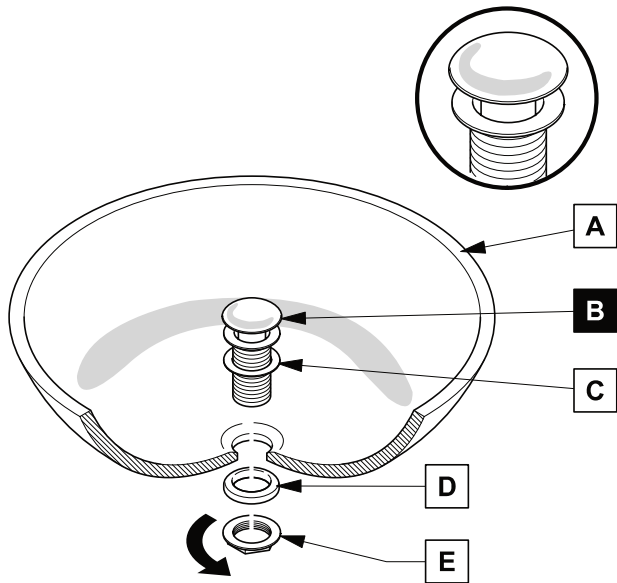
P-TRAP AND POP-UP INSTALLATION INSTRUCTIONS

Your item may appear slightly different from the illustration



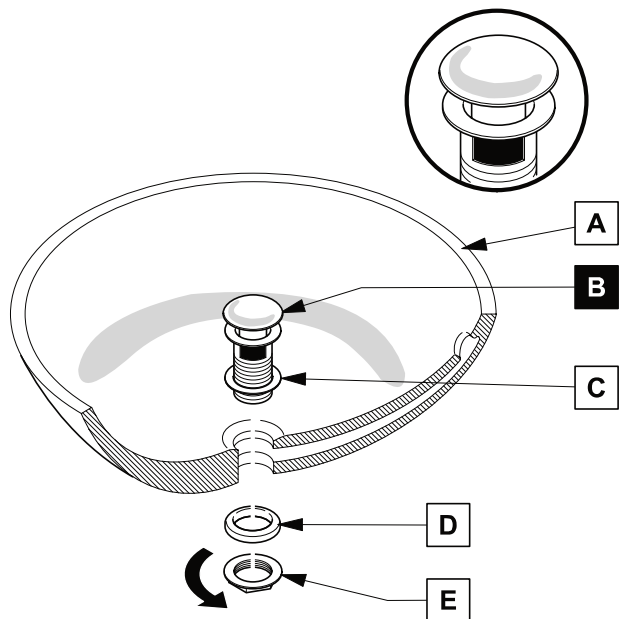
POP-UP INSTALLATION

FOR SINKS WITHOUT OVERFLOW



OR

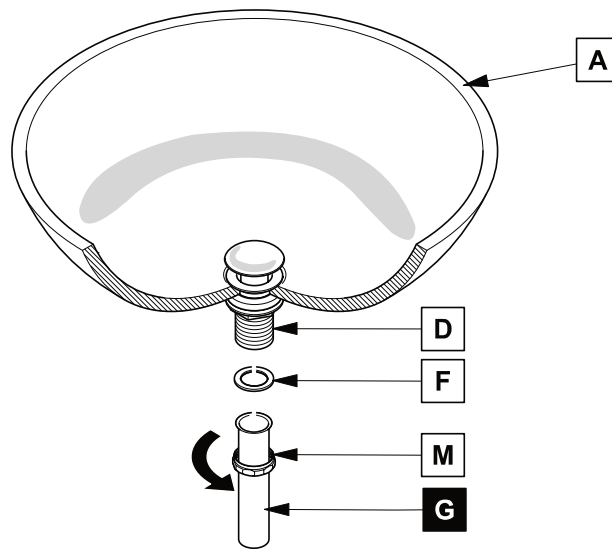
FOR SINKS WITH OVERFLOW



P-TRAP INSTALLATION

1

Install tail pipe (G)



2

Install p-trap (J)

