



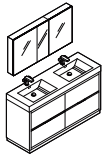
**FVN8460-D**

# VALENCIA

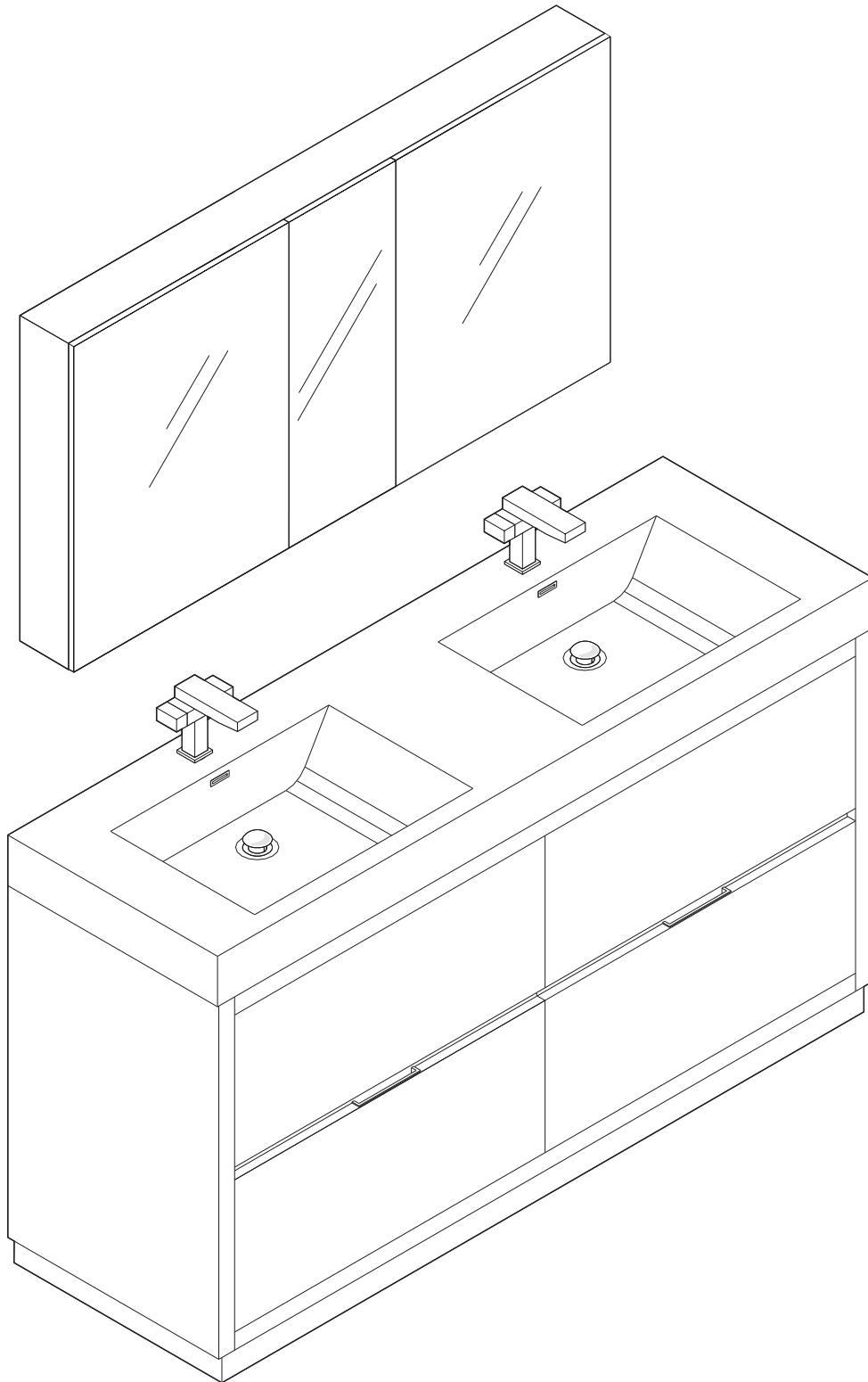
## INSTALLATION GUIDE

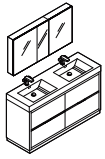
### CONTENTS:

Cabinet.....	(FCB8460-D).....	PAGE <b>6</b>
Sink.....	(FVS8042WH).....	PAGE <b>6</b>
Medicine Cabinet.....	(FMC8013).....	PAGE <b>4</b>



# FVN8460-D VALENCIA INSTALLATION GUIDE

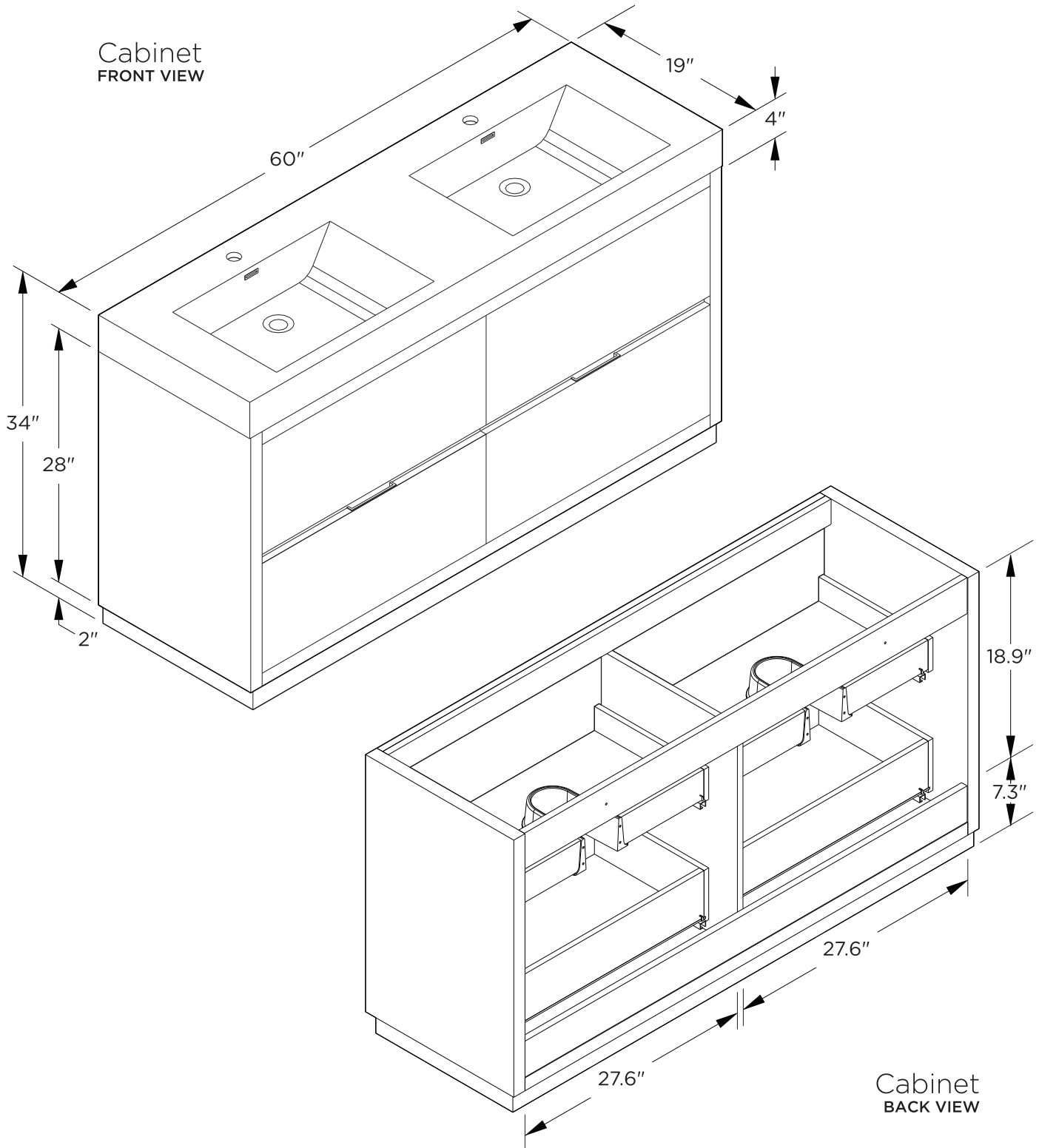




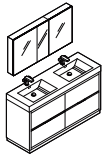
# FVN8460-D VALENCIA INSTALLATION GUIDE



## DIMENSIONS OF THE CABINET



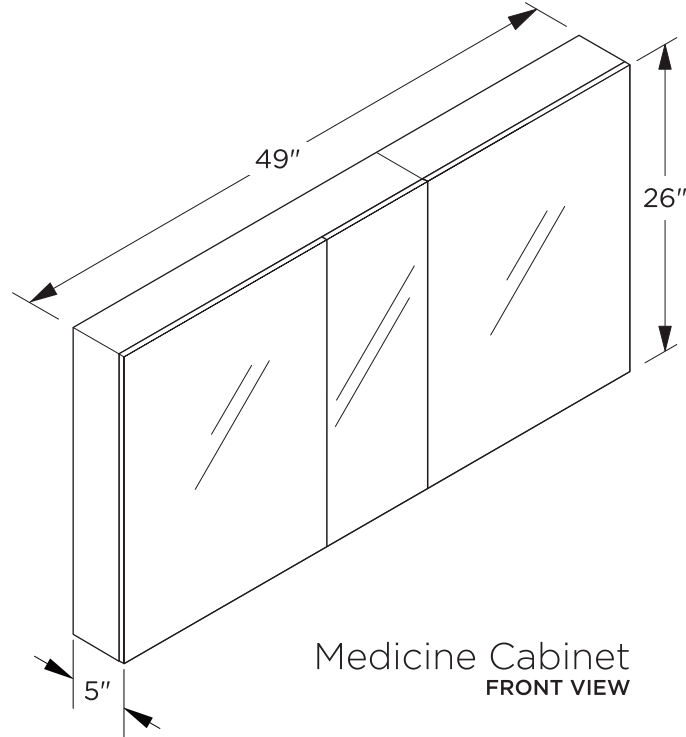
**NOTE:** ALL DIMENSIONS & SPECIFICATIONS ARE APPROXIMATE AND SUBJECT TO CHANGE WITHOUT NOTICE.



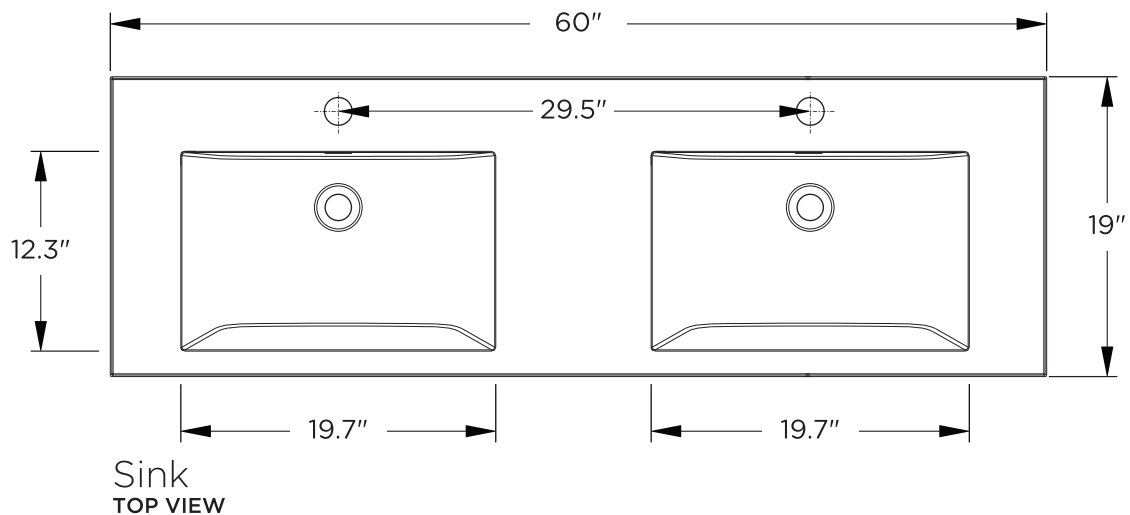
# FVN8460-D VALENCIA INSTALLATION GUIDE



## DIMENSIONS OF THE MEDICINE CABINET



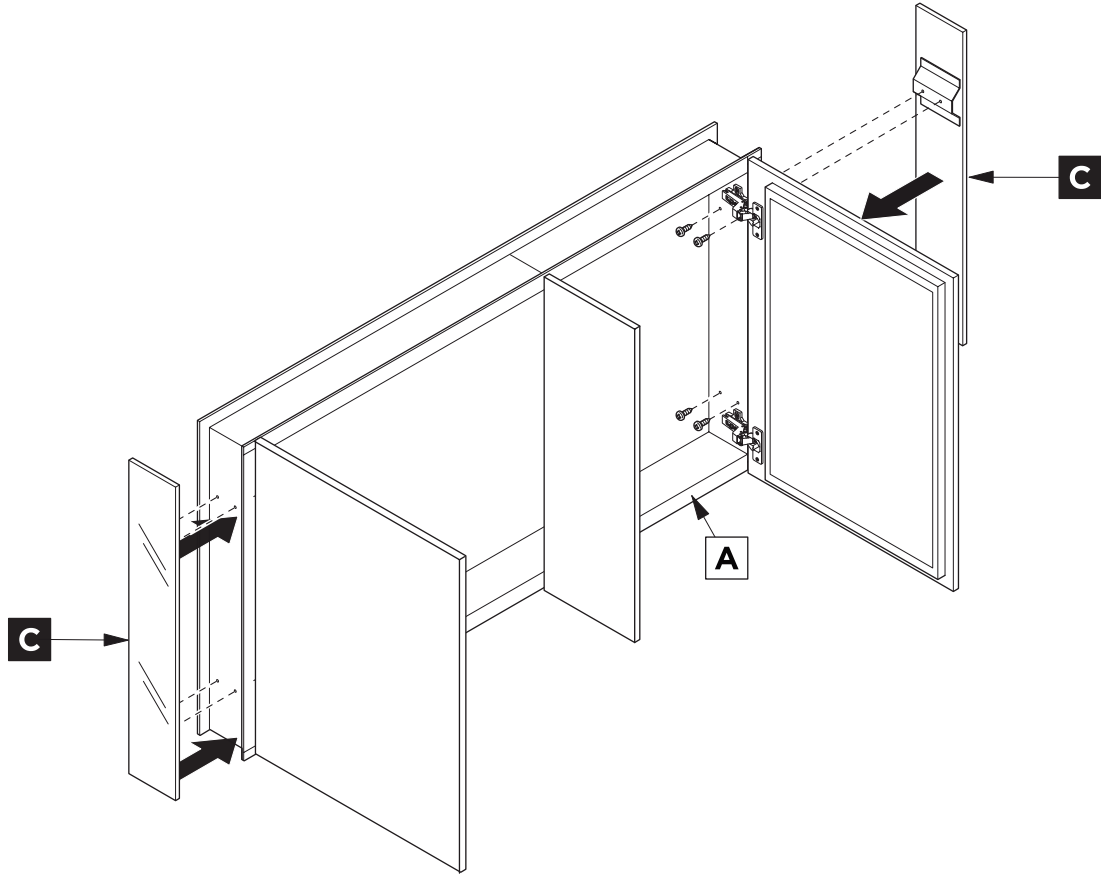
## DIMENSIONS OF THE SINK



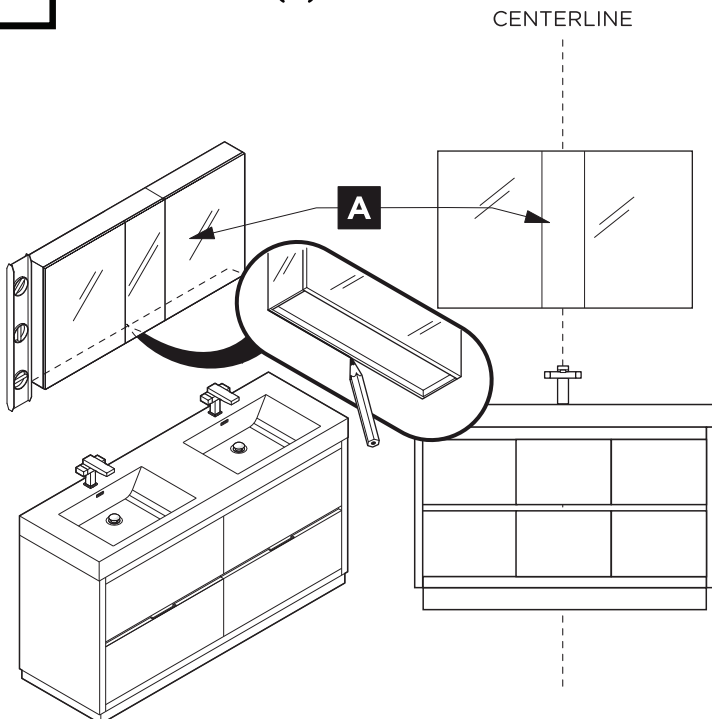
**NOTE:** ALL DIMENSIONS & SPECIFICATIONS ARE APPROXIMATE AND SUBJECT TO CHANGE WITHOUT NOTICE.

# MEDICINE CABINET INSTALLATION

**1** Attach side mirrors (C) to the medicine cabinet (A).

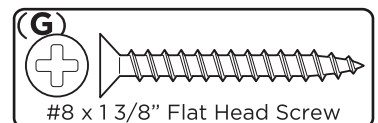
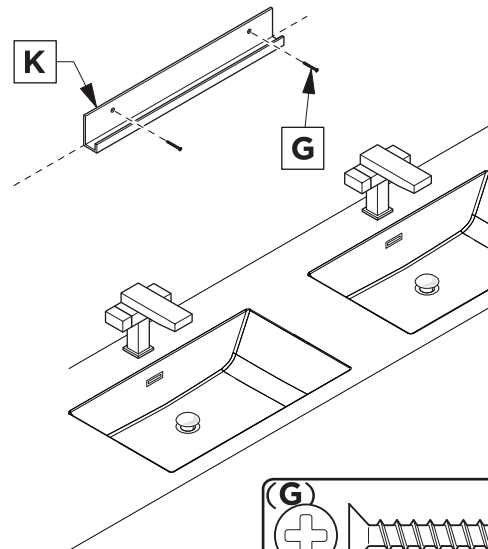


**2** Mark cabinet's (A) location.



**3** Install a bottom bracket (K).

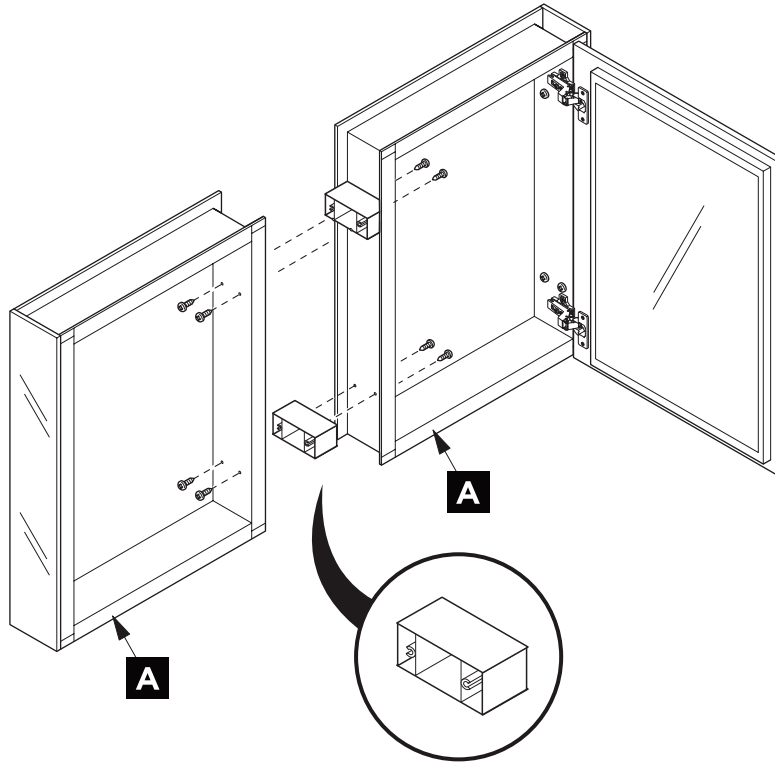
**IMPORTANT:** Consult an expert for the proper screws/bolts to use when attaching to various constructions. Screws provided do not attach to all wall construction types. Anchors are not required if brackets are installed in stud.



# MEDICINE CABINET INSTALLATION

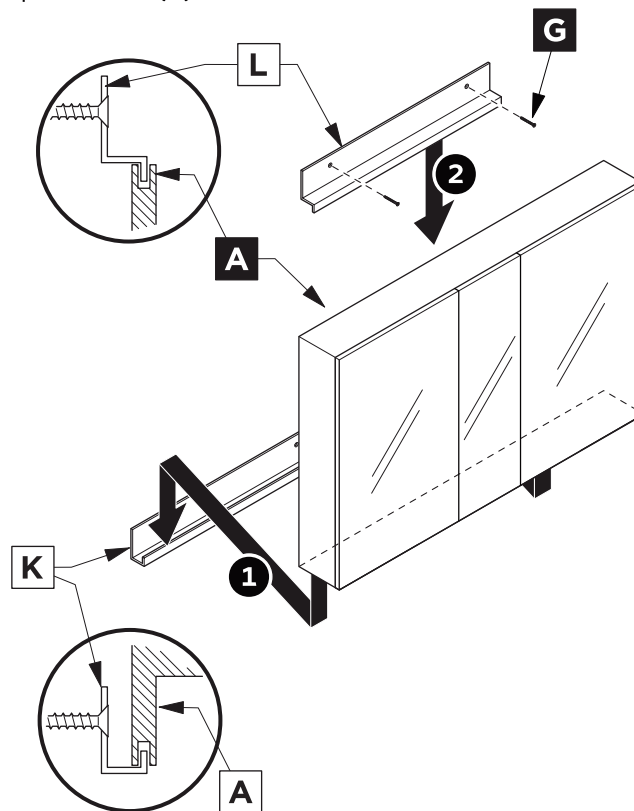
4

Join cabinets (A) together.



4

\* Place cabinet (A) on the bottom bracket (K) and secure it with a top bracket (L).

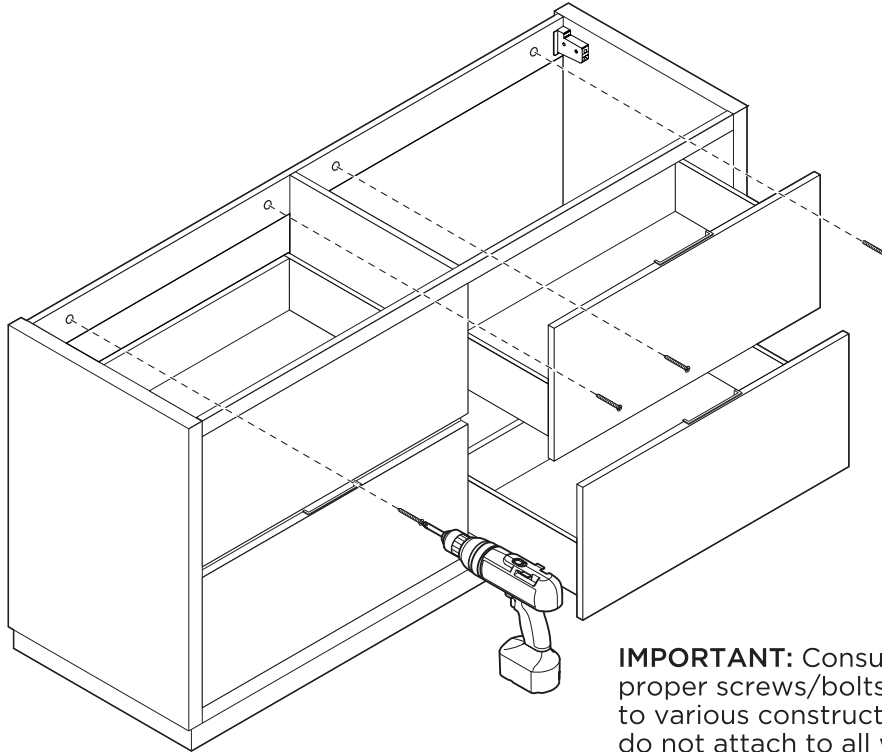


\*This step requires assistance to hold cabinet in place until top bracket is securely attached.

# CABINET INSTALLATION

**1**

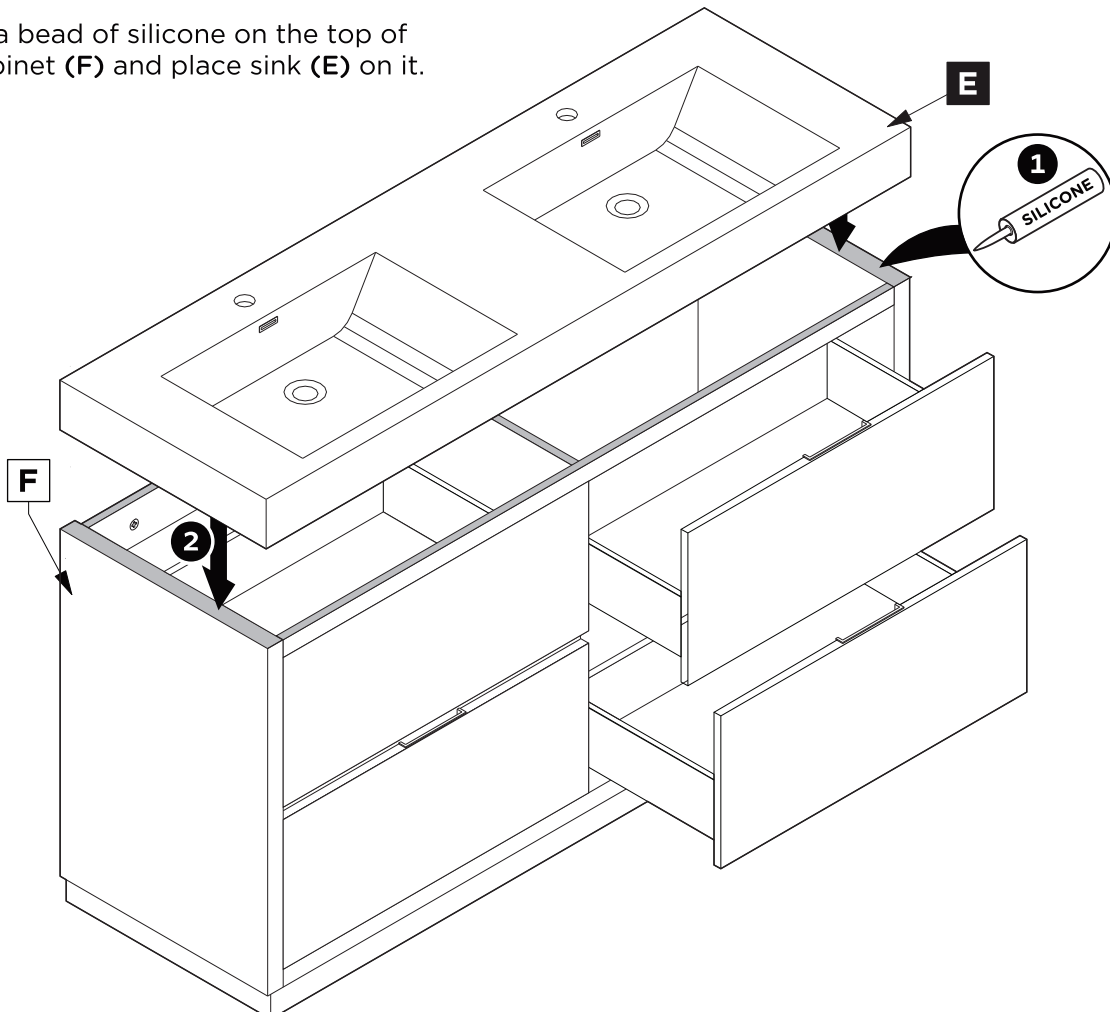
Attach cabinet (F) to the wall.



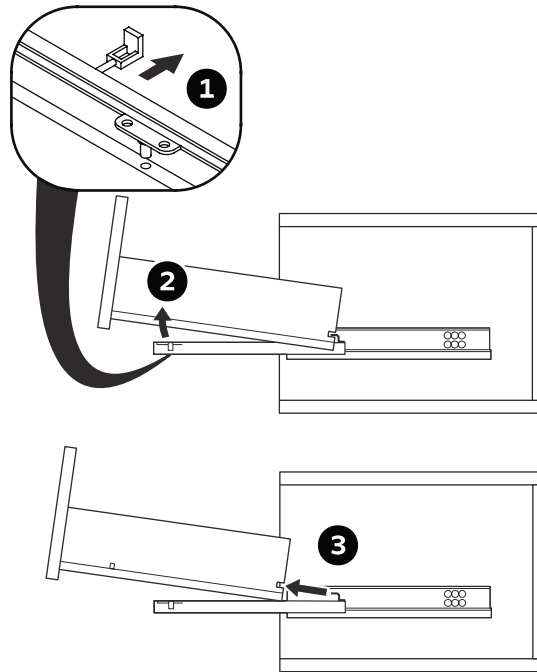
**IMPORTANT:** Consult an expert for the proper screws/bolts to use when attaching to various constructions. Screws provided do not attach to all wall construction types. Anchors are not required if brackets are installed in stud.

**2**

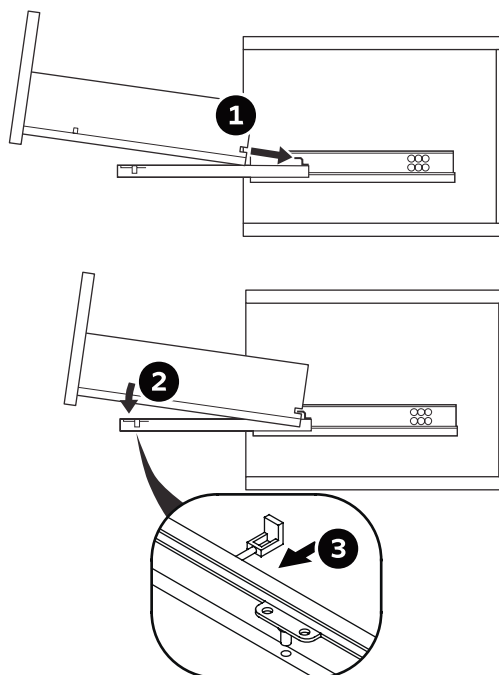
Apply a bead of silicone on the top of the cabinet (F) and place sink (E) on it.



## DRAWER REMOVAL



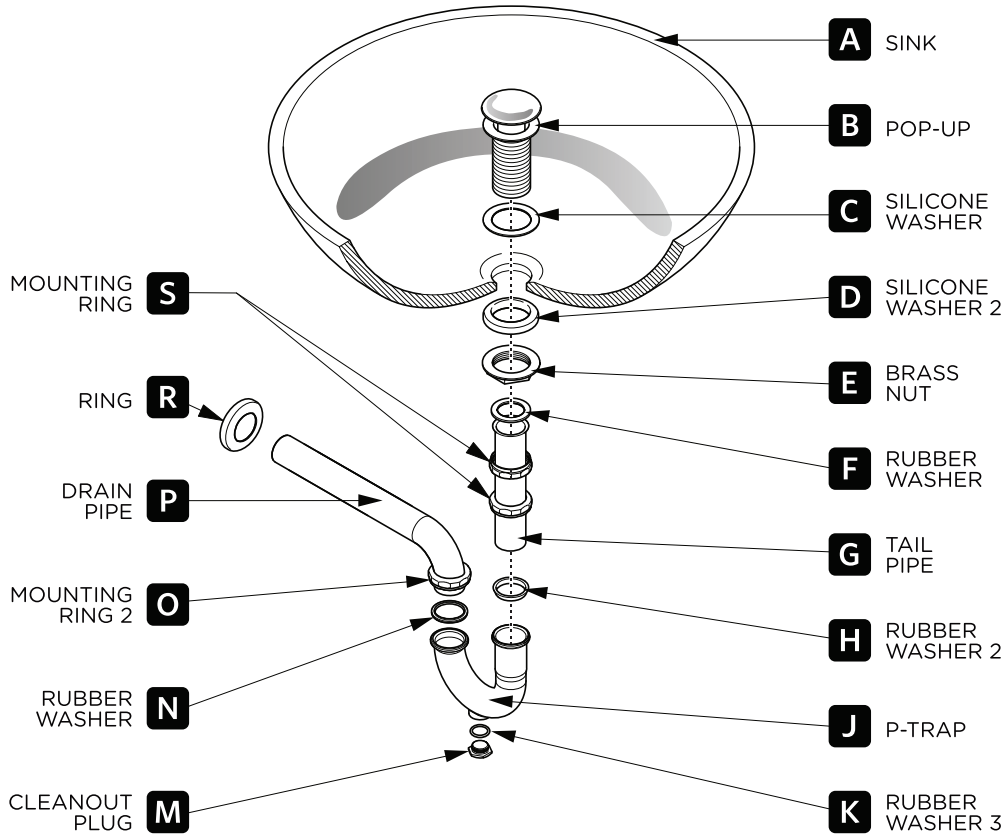
## DRAWER INSTALLATION





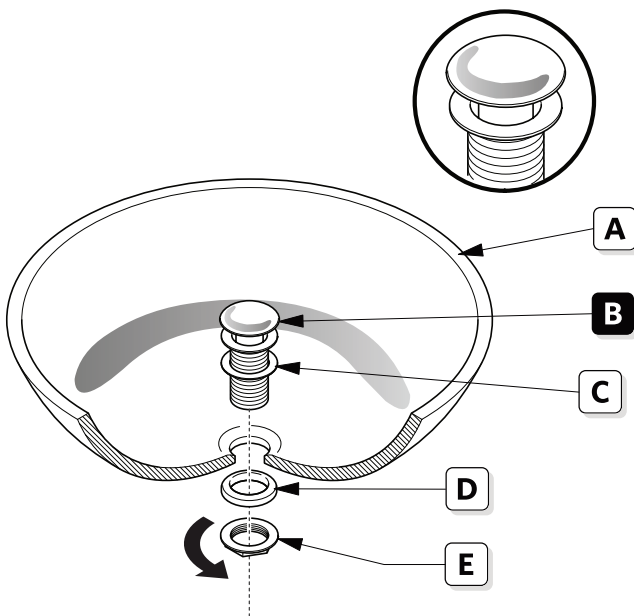
# P-TRAP & POP-UP INSTALLATION INSTRUCTIONS

Your item may appear slightly different from the illustration.



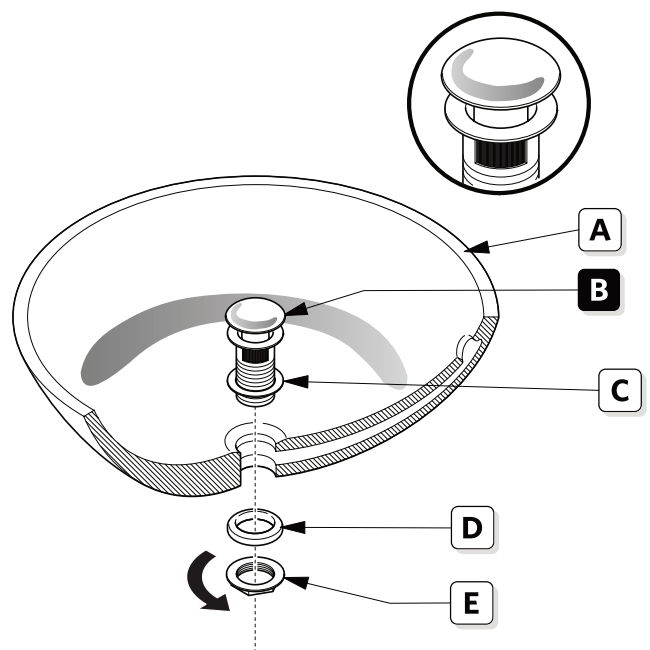
## POP-UP INSTALLATION INSTRUCTIONS

**FOR SINKS**  
WITHOUT OVERFLOW



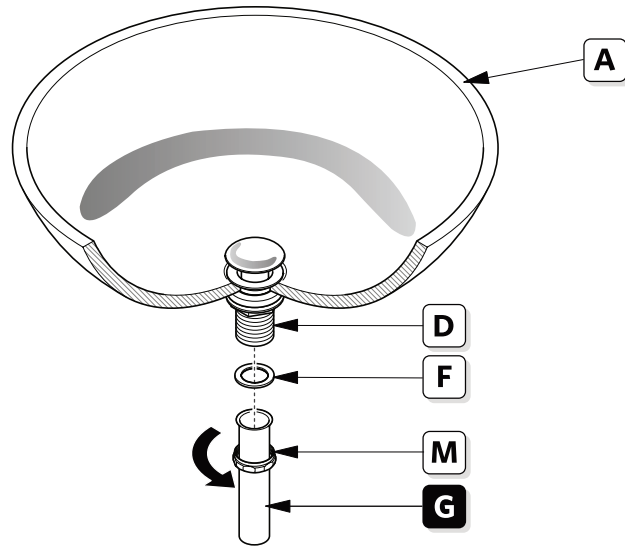
OR

**FOR SINKS**  
WITH OVERFLOW



# P-TRAP INSTALLATION

**1** Install Tail Pipe (G).



**2** Install P-Trap (J).

