



Instant Hot Water Dispensers

Model F-201R Replacement Filter

For cleaner, fresher-tasting water



Submittal Sheet

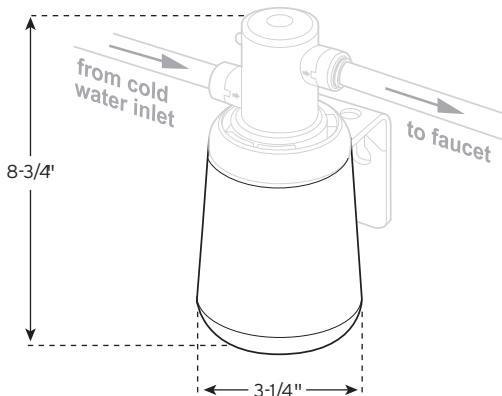
- Includes 2 replacement filters for use with InSinkEerator water filtration system
- Reduces Chlorine, taste and odor for clean, refreshing taste
- Sanitary, quick-change filter cartridge makes replacement easy. A simple twist is all it takes!
- 6 month recommended filter cartridge replacement

Specifications

Filter Capacity	500 gallons
Temperature Range	Incoming cold water supply line can be from 33°F to 100°F (1°C to 38°C). Connect to cold water supply line only.
Pressure	30-125 psi
Flow Rate	0.75 gpm
Shipping Weight	Approximately 2.0 lbs.

F-201R Chemical & Mechanical Reduction Filter Specifications: This cartridge provides mechanical and chemical reduction of dirt/rust, chlorine taste and odor, and particulates.

Dimensions



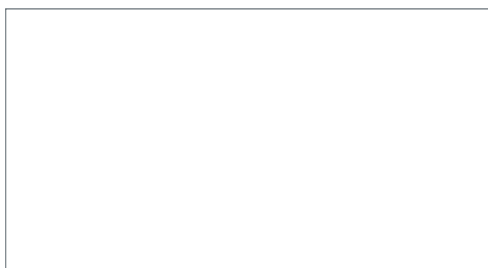
F-201/F-201R is tested and certified by Water Quality Association to NSF/ANSI 372 for Lead Free Compliance.

Pressure: 30-125 psi
 Temperature: 33 °F - 100 °F
 Flow Rate: 0.75 gpm
 Capacity: 500 gallons

Filter Capacity: 500 gallons, depending on local water conditions. Note that while the testing was performed under standard laboratory conditions, actual performance may vary. Do not use with water that is microbiologically unsafe or of unknown quality without adequate disinfection before or after the system. For cold water use only. Systems must be installed and operated in accordance with the Manufacturer's recommended procedures and guidelines. See warranty card for warranty. For service and parts, contact your local dealer or InSinkEerator® directly at 1-800-558-5700.

Contact an authorized InSinkEerator service agent for repairs or replacement components.

Job Specifications



USA
 1-800-558-5700
 www.insinkerator.com

Canada
 1-800-561-1700
 www.insinkerator.ca



The Emerson logo is a trademark and a service mark of Emerson Electric Co. InSinkEerator may make improvements and/or changes in the specifications at any time, in its sole discretion, without notice or obligation and further reserves the right to change or discontinue models. ©2012 InSinkEerator, a business unit of Emerson Electric Co. All Rights Reserved.