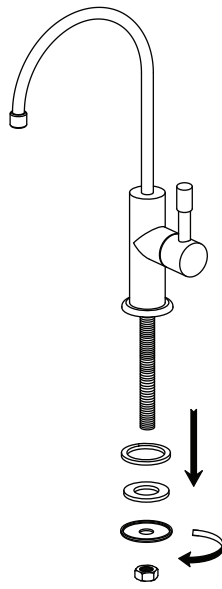
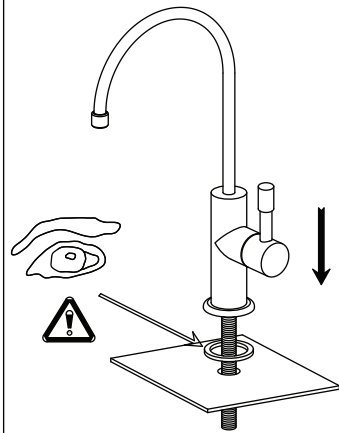


1



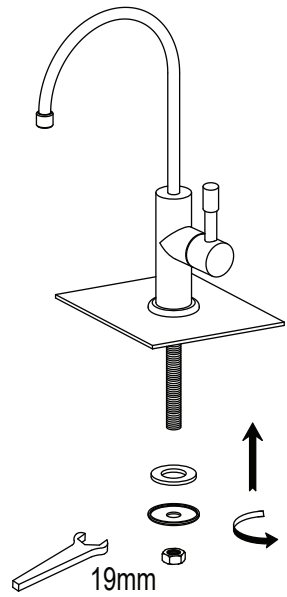
Remove mounting hardware

2



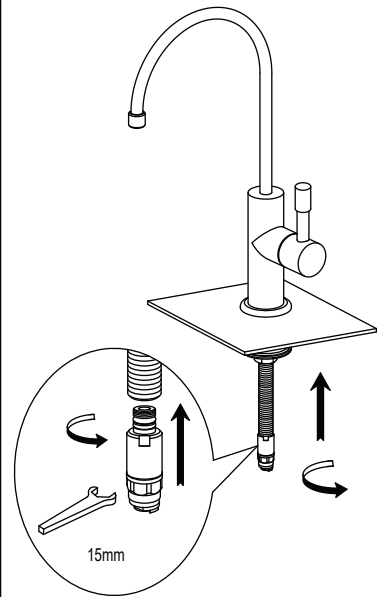
Ensure rubber washer is present

3



Insert faucet onto deck and tighten nut

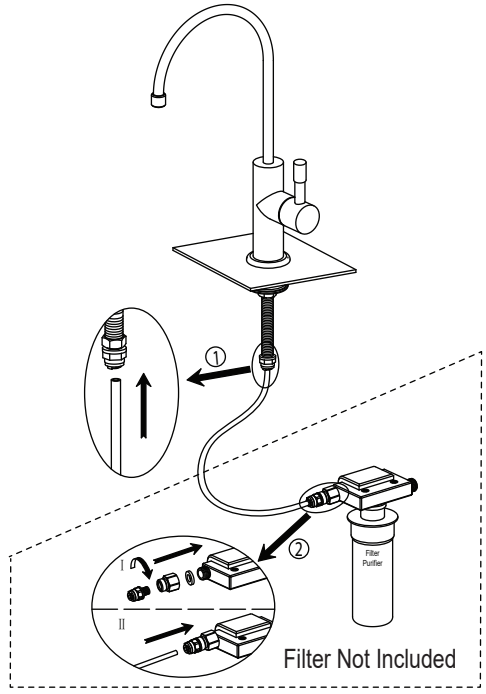
4



Insert hose connector and tighten

5

Connect filter hose



i

