

INSTALLATION INSTRUCTIONS

Contempo II Wall Mounted Accessories

Part #'s: 3501-RH, 3501-DRH, 3501-TR, 3501-TH, 3501-SD,
3501-3VTP, 3501-LTP, 3501-STP, 3501-DBTP, 3501-TB-18, 3501-TB-24,
3501-GS, 3501-GSW, 3501-HR



3501-RH



3501-DRH



3501-TR



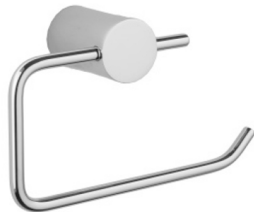
3501-TH



3501-SD



3501-3VTP



3501-LTP



3501-STP



3501-DBTP



3501-TB-18



3501-TB-24



3501-GS

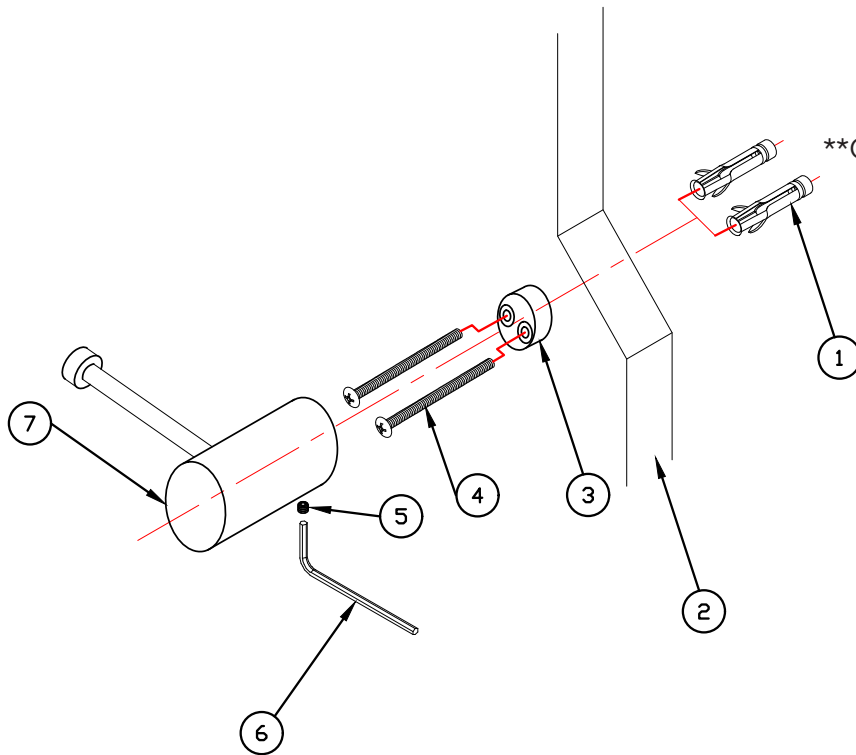


3501-GSW



3501-HR

COMPONENT PARTS		QTY.
1	Plastic Wall Anchor	2
2	Wall	
3	Mounting Bracket	1
4	Screw	2
5	Set Screw	1
6	Hex Wrench (NOT INCLUDED)	1
7	Contempo II Accessory	1



Quantity listed is for Single Hole Accessories

**3/32" Allen Key Required,
NOT SUPPLIED**

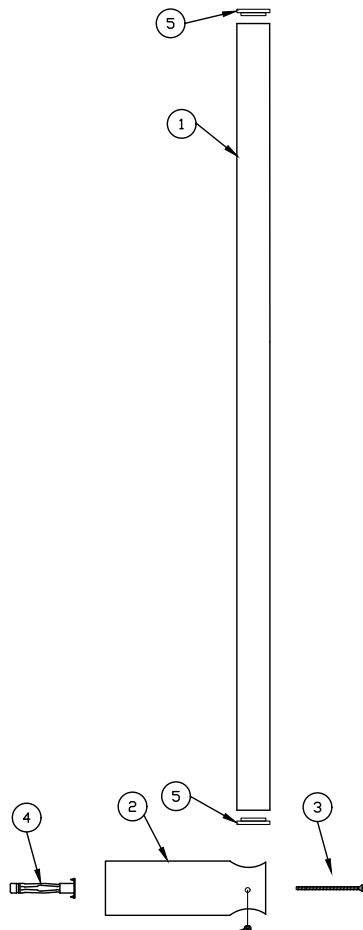
Single Hole Accesories Installation (3501-RH, 3501-DRH, 3501-TR, 3501-TH, 3501-SD, 3501-LTP, 3501-STP, 3501-DBTP)

1. Determine desired location of accessory.
2. Remove mounting bracket from accessory using 3/32" allen wrench (Not supplied). Place set screw in secure location.
3. Drill 1/4" hole and insert plastic anchors in wall.
4. Insert screw through mounting base and HAND tighten, ensuring set screw cavity is on bottom.
5. Place accessory over mounting base and secure with set screw. Correct install will have set screw flush with accessory.

Double Hole Accessories Installation (3501-TB-18, 3501-TB-24, 3501-GS, 3501-GSW, 3501-HR)

1. Determine desired location of accessory.
2. Using level and pencil, draw level line length of towel bar/glass shelf.
3. Measure center to center of holes in mounting bracket while mounting brackets are in place. And mark location on wall.
4. Drill 1/4" hole and insert plastic anchors in wall.
5. Remove mounting brackets from accessory using 3/32" allen wrench (Not supplied). Place set screws in secure location.
6. Insert screws through mounting brackets and HAND tighten, ensuring set screw cavities are level and on bottom.
7. Place accessory over mounting bases and secure with set screws. Correct install will have set screws flush with accessory.

3501-3VTP INSTALL ONLY



	COMPONENT PARTS	QTY.
1	WALL BAR	1
2	WALL POST	1
3	SCREW	1
4	WALL ANCHOR	1
5	END CAP	2
6	SET SCREW	2

POSITIONING OF WALL BAR

1. Determine convenient height for placement of wall bar.
2. Mark holes for proper placement of posts.
3. Drill 1/4" holes in the wall for posts.
4. Insert wall anchors into the wall.

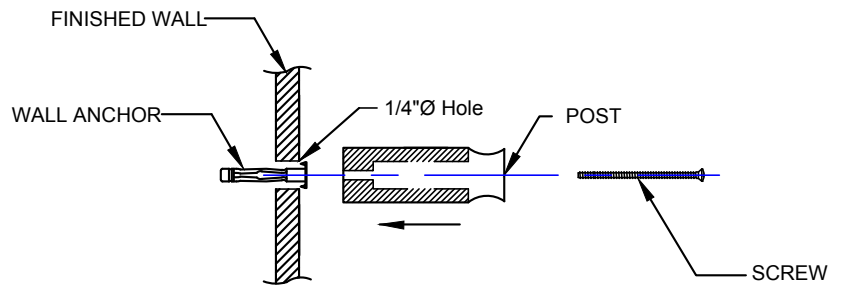


Figure 1

PREPARING FOR INSTALLATION

1. Fasten bottom wall post by putting screw through post and securing it to the bottom wall anchor. (Fig. 1)
2. Remove end caps from wall bar and put in safe/clean location. Place O-rings in caps if not pre-installed.
3. Slide wall bar through the top of the bottom post going below the top wall anchor. (Fig. 2)
4. Tighten set screw. (Fig. 3)
5. Replace end caps onto bar. (Fig. 4)

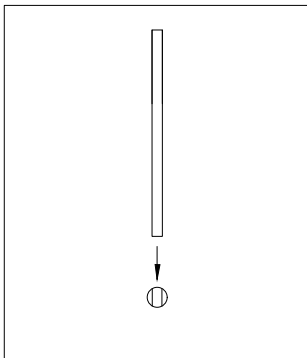


Figure 2

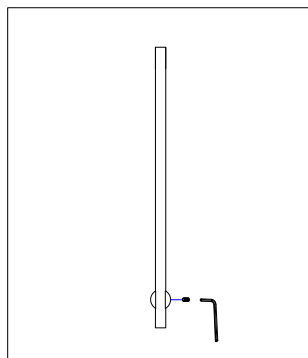


Figure 3

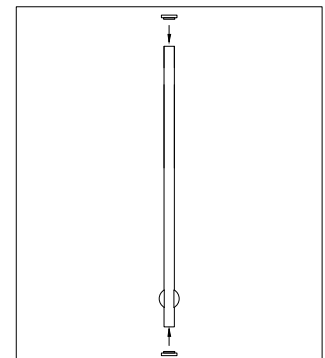


Figure 4

To learn more about JACLO's warranty, please visit [**jaclo.com**](http://jaclo.com)