

INSTALLATION INSTRUCTIONS

Bottom Outlet Standard Toe Control (Two Hole) Tub Wastes for Extra Thick Tubs

Part #: 360-75-, 360-100-, 360-125-, 363-75-, 363-100-, 363-125-

JACLO®

Confidence from start to finish.®



DRAIN INSTALLATION

1. Remove Drain Top & 529 Spring Mechanism from strainer body by unscrewing.
2. Apply appropriate sealant around the underside of the strainer body according to manufacturer's instructions.
3. Align the drain shoe, and rubber gasket underneath the bath drain hole, and carefully thread strainer body into the drain shoe.
4. Align the drain shoe to point toward the overflow the bath.

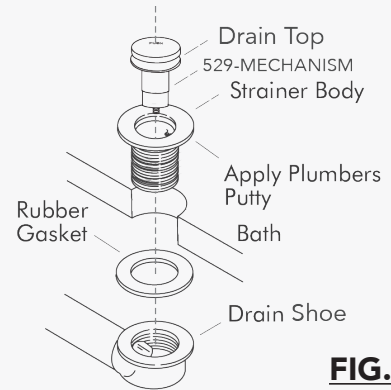


FIG. 1

5. Insert the handles of a pliers into the strainer body, and tighten securely. Remove excess putty.
6. Install the strainer to the strainer body by tightening the screw.

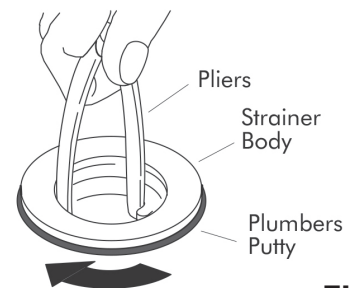


FIG. 2

7. Put rubber gasket on to overflow ell using channel in gasket, wrap around overflow ell flange. Opening should be on the bottom.

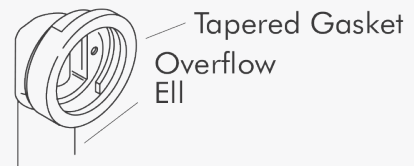


FIG. 3

8. Slide the coupling nuts and gaskets onto the overflow ell and drain shoe.
9. Fit the overflow ell into the tee.
10. Then slide the tee onto the drain shoe. Hand tighten the coupling nuts to the tee.

NOTE: DO NOT TIGHTEN WITH A WRENCH AT THIS TIME

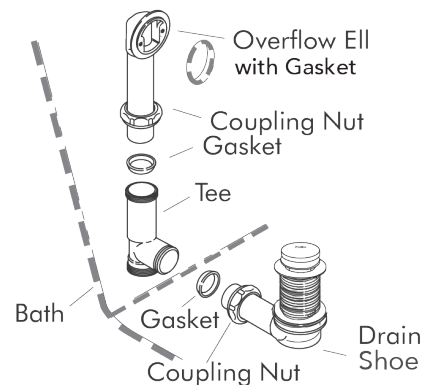


FIG. 4

DRAIN INSTALLATION (CONT.)

11. Some applications may require the drain shoe tube to be cut shorter.
12. For proper installation, assemble the drain to the bath.
13. If the overflow tube is not vertical or pushed out, the drain shoe tube is too long.
14. To cut the drain shoe tube to the proper length, the overflow tube must be vertical. Align the drain shoe tube along side the drain tee. Mark the drain shoe tube so it will engage the drain tee by at least 3/4".
15. Cut the tube with a tube cutter. Remove any burrs.

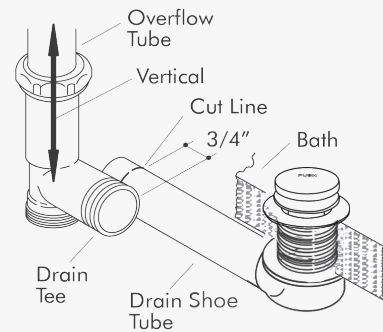


FIG. 5

16. Fit overflow hood into the overflow ell, and secure with two plated screws.
17. Secure the overflow hood with the plated screws.
18. Check the alignment of the overflow ell, tee, and drain shoe.
19. Adjust as necessary. Use a wrench to tighten the coupling nuts two turns past hand tight.

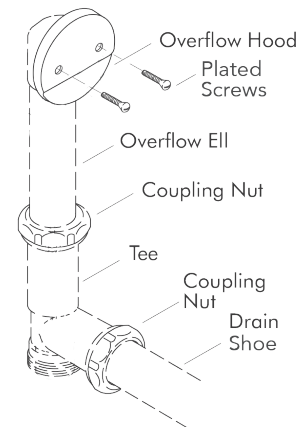


FIG. 6

20. Apply thread sealant to the tailpiece, and thread it into the tee.
21. Make your final connections, as needed.
22. With the Drain in closed position, fill the bath with water, and check for leaks. Verify that the overflow connections do not leak.
23. Open and close the Drain to verify correct operation, and again inspect for leaks.

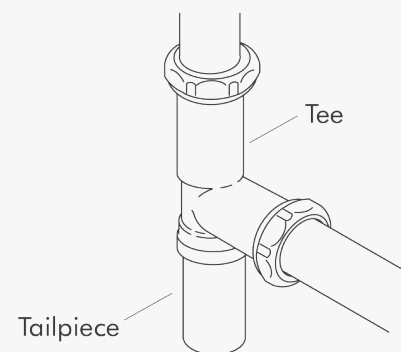


FIG. 7

Over Fifty Years of Excellence Proud to be an American Company



CARE INSTRUCTIONS

In order to maintain the high quality finish of JACLO products, please adhere to the following product care instructions:

Cleaning JACLO products: For routine cleaning, simply use a soft damp cloth and common household soap, then rinse and dry. Proper care of your product is important because most water contains calcium that deposits on surfaces, forming unpleasant spots. This can be avoided by routine cleaning and drying after every use. Use only mild soap detergents. JACLO products may be periodically waxed with non abrasive compounds, such as Flitz® faucet wax.

Never use abrasive cleaners, bleach, disinfectants or cleaning products containing alcohol, ammonia, hydrochloric or phosphoric acids as they will damage the product finish.

Please note: Your product warranty may not be valid if the above cleaning guidelines are not followed.

WARRANTY

Residential Warranty: Your new plumbing fixture is warranted by JACLO INDUSTRIES, 129 Dermody Street, Cranford, NJ 07016. This warranty is extended to original consumer purchasers only. This warranty gives you specific legal rights, and you may also have other rights which vary from state to state.

The product (including the finish on the product but excluding any custom finishes and any installation hardware not supplied by JACLO) is warranted to be free from defects in material or workmanship under normal use and service for the lifetime* of the fixture, so long as the original consumer purchaser owns it. JACLO's sole obligation under this or any other warranty is limited to repairing or replacing at JACLO's option, without labor, any part or parts of the fixture which fail to conform to such warranty.

JACLO WILL NOT BE LIABLE FOR ANY CONSEQUENTIAL OR INCIDENTAL DAMAGES CAUSED BY A BREACH OF THIS OR ANY OTHER WARRANTY.

Some states do not allow the exclusion of limitation of incidental or consequential damages, so the above limitation may not apply to you.

To secure warranty performance, the original consumer purchaser must have the fixture properly and professionally installed in accordance with all codes and installation instructions.

Items and actions that will void the JACLO warranty are:

- Abuse, misuse, neglect and accidental damage
- Improper cleaning, care and maintenance of the fixture
- Alteration of the fixture in any way including removal of a flow regulator/restrictor

All warranty claims must be made in accordance with the JACLO return policy (see below).

JACLO does not authorize any distributor, retailer or other person to modify this warranty or assume any liability on its behalf with respect to it. Any question regarding the operation of warranty should be addressed to JACLO's warranty department.

*Due to the unpredictable environment, all kitchen drains, strainers and garbage disposal flanges are warranted for the period of one year from date of purchase from an authorized JACLO dealer.

Un-lacquered Brass (ULB) is a living finish and is excluded from any finish warranty.

Commercial Warranty: JACLO offers the above warranty for a period of one year from date of purchase to purchasers of products for industrial, commercial, business and all non-private residential uses.

