

INSTALLATION INSTRUCTIONS

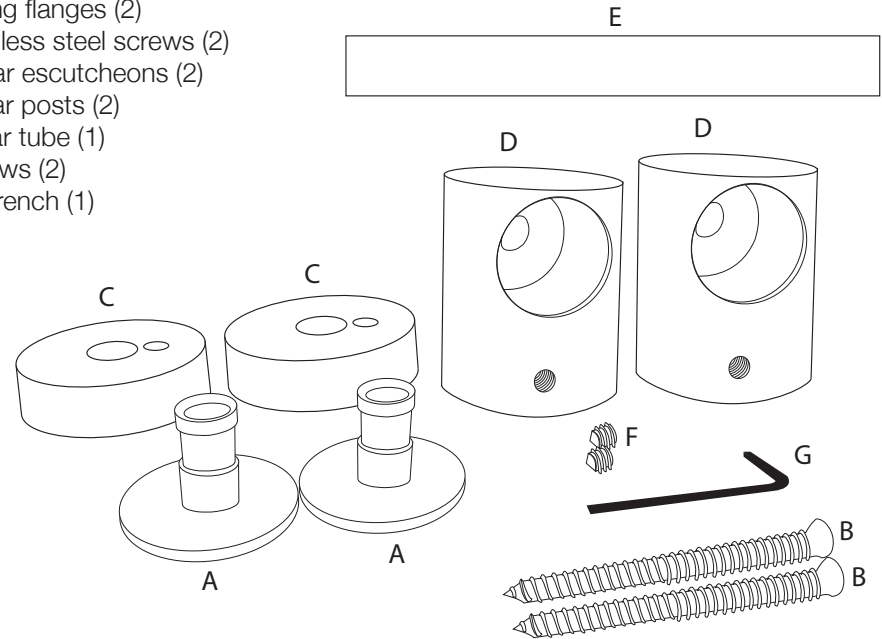
Contempo II Grab Bar G40-**

JACLO®

Confidence from start to finish.™



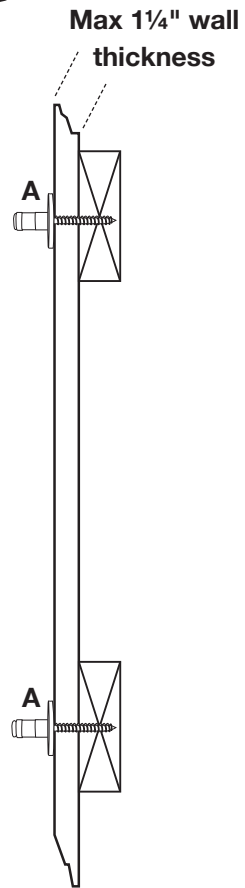
- A. Mounting flanges (2)
- B. 3" Stainless steel screws (2)
- C. Grab bar escutcheons (2)
- D. Grab bar posts (2)
- E. Grab bar tube (1)
- F. Set screws (2)
- G. Allen wrench (1)



Important Information:

- Our grab bars have been designed to be attached to a wall using the enclosed #14 x 3" long stainless steel screws into a wood stud or 1" plywood adequately supported by metal or wood studs. It is the responsibility of the installer (builder or architect) to insure that the correct hardware is used and that the wall construction is adequate.
- We assume no responsibility for improper installation or use of an improper grab bar for the location.

1

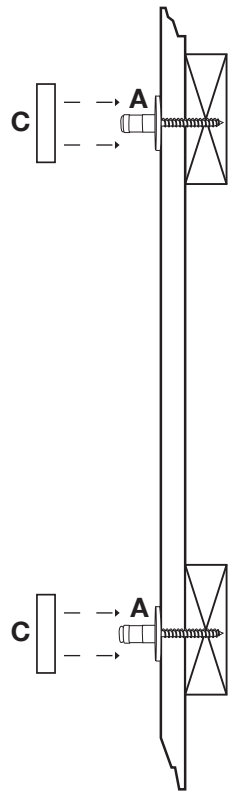


Determine bar position. Place mounting flange (A) on wall. Drive #14 x 3" screw into 1" plywood or wood stud. Tighten completely.

Note: Soap applied to screw threads will reduce the power required to drive screw.

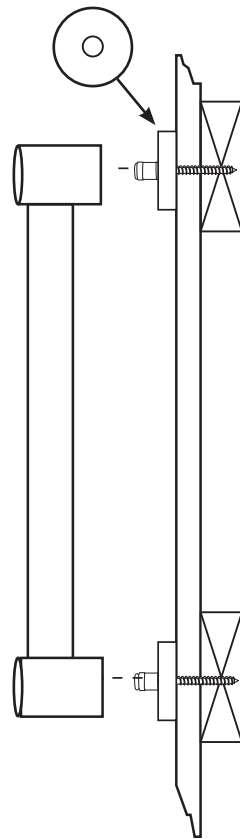
Repeat on other side.

2



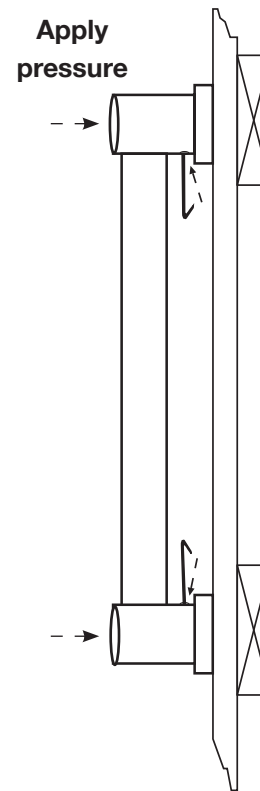
Install grab bar escutcheons (C) one on each mounting flange (A).

4



Install grab bar onto mounting flange post on wall.

5



Using allen wrench, tighten set screws while applying pressure to end posts.

Repeat on both sides.