

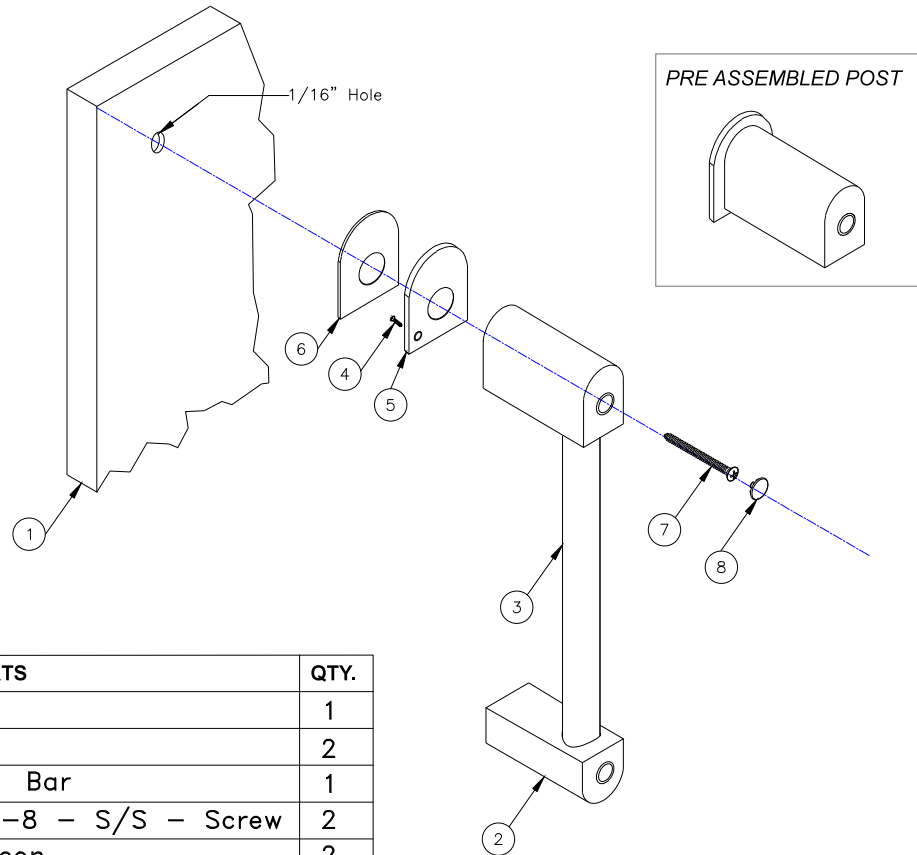
INSTALLATION INSTRUCTIONS

Front Mount Door Handle

Part #: H80-FM

JACLO®

Confidence from start to finish.™



	COMPONENT PARTS	QTY.
1	Wood Door	1
2	30880-1 Post	2
3	CU-430-BAR - Bar	1
4	8-32 X 1/2 18-8 - S/S - Screw	2
5	30880-3 Escutcheon	2
6	30817-1 Rubber Washer	2
7	30817-4 Wood Screw	2
8	4844 - Caps	2

1. Locate center to center dimension for drilling (handles are sold with cc measurement)
2. Drill 1/16" hole top and bottom
3. Start at top hole
4. Insert wood screw (7) through sleeve (3), through washer (if needed) and screw into wood door
5. Bottom hole, repeat step 4
6. Attach caps (8)

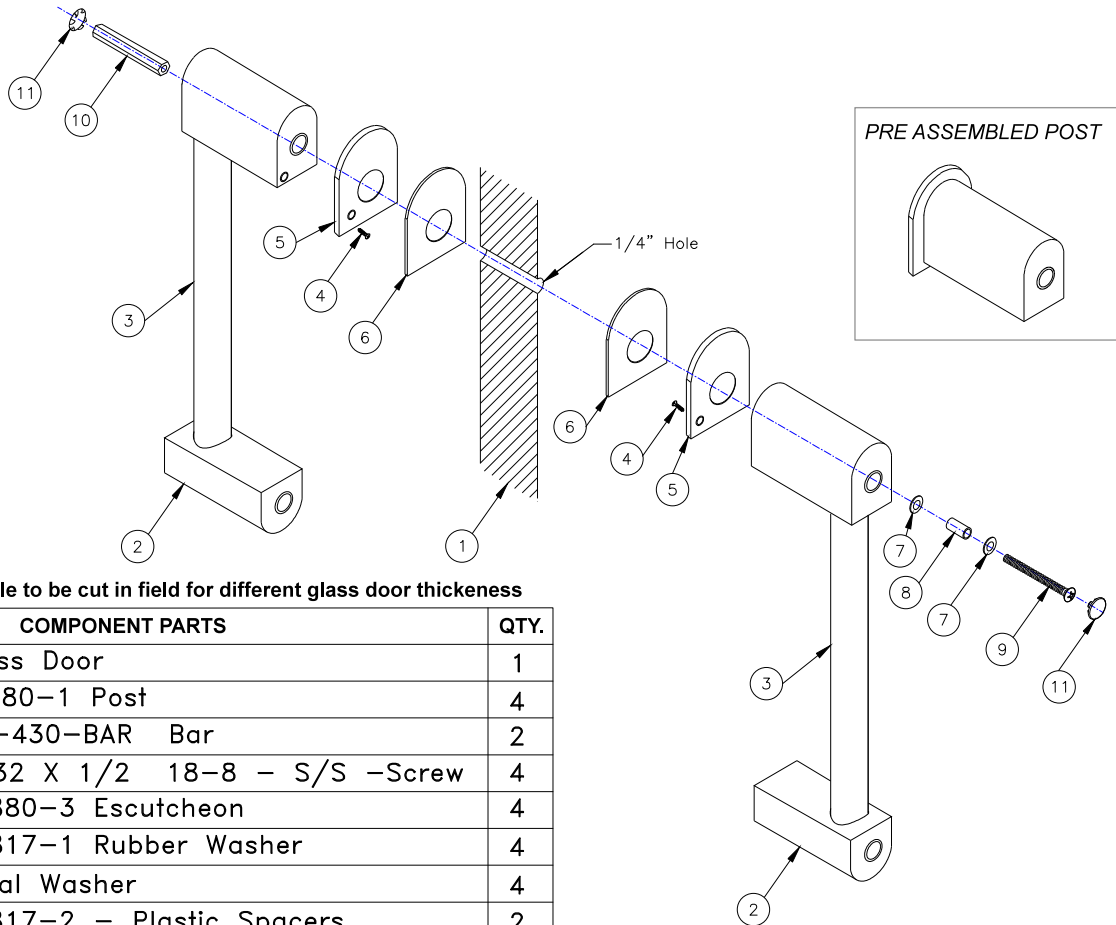
INSTALLATION INSTRUCTIONS

Back to Back Door Handle

Part #: H80-BB

JACLO®

Confidence from start to finish.™



*Screw is able to be cut in field for different glass door thickness

COMPONENT PARTS		QTY.
1	Glass Door	1
2	30880-1 Post	4
3	CU-430-BAR Bar	2
4	8-32 X 1/2 18-8 - S/S -Screw	4
5	30880-3 Escutcheon	4
6	30817-1 Rubber Washer	4
7	Metal Washer	4
8	30817-2 - Plastic Spacers	2
9	*30817-3 Screw - 10/24 X 3 1/2	2
10	30824-6 - Slotted Hex Nut	2
11	4844 - Caps	4

1. Locate center to center dimension for drilling (handles are sold with cc measurement)
2. Drill 1/4" hole top and bottom
3. Start at top hole
4. Pre-assemble washer (7), spacer (8), washer (7) onto screw (9) as shown
5. Insert screw (9) through handle (2), through washer (6), through door, through washer (6), through handle and attach with hex nut (10).
- Please note, screw is able to be cut in field for different glass door thickness**
6. Bottom hole, repeat step 4
7. Attach caps (11)

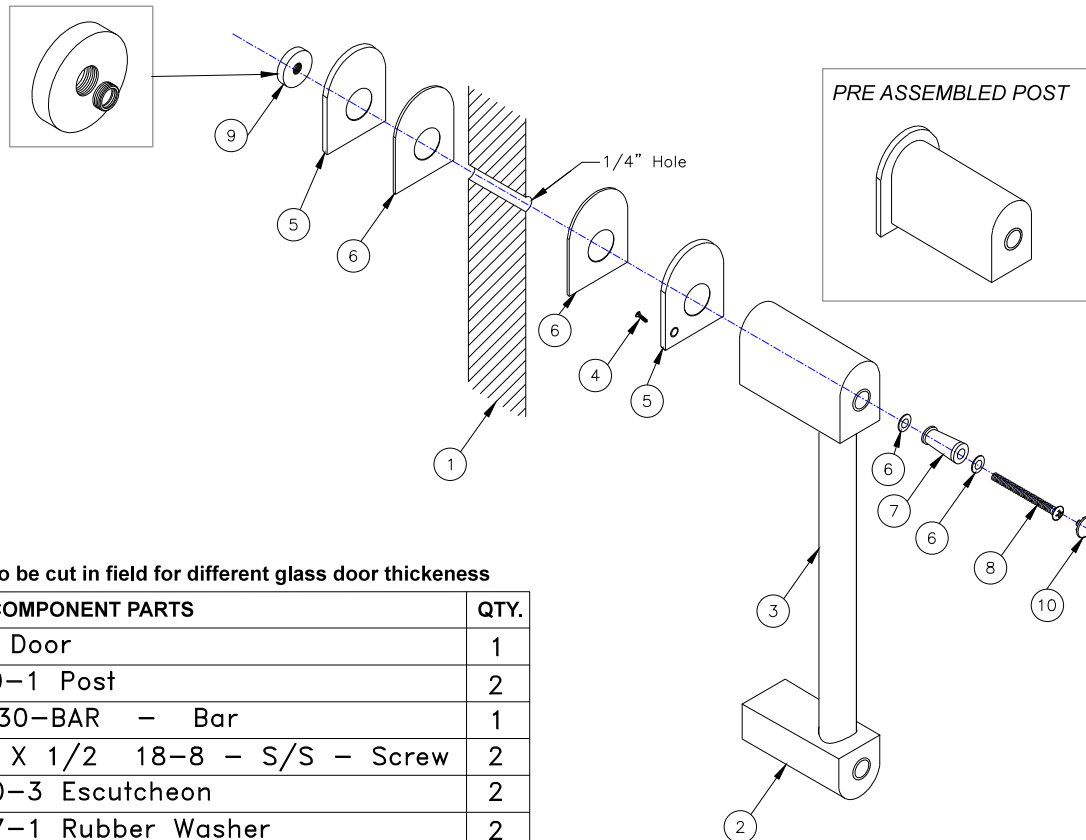
INSTALLATION INSTRUCTIONS

Front Mount Door Handle with Glass Mounting Kit

Part #: H80-FM with H80-GLSKIT

JACLO®

Confidence from start to finish.™



*Screw is able to be cut in field for different glass door thickness

	COMPONENT PARTS	QTY.
1	Glass Door	1
2	30880-1 Post	2
3	CU-430-BAR - Bar	1
4	8-32 X 1/2 18-8 - S/S - Screw	2
5	30880-3 Escutcheon	2
6	30817-1 Rubber Washer	2
7	30817-2 - Plastic Spacers	2
8	*30817-3 Screw - 3/16" X 3 1/2"	2
9	GLS-B-XXX - Glass KIT	2
10	4844 - Caps	2

1. Locate center to center dimension for drilling (handles are sold with cc measurement)
 2. Drill 1/4" hole top and bottom
 3. Start at top hole
 4. Pre-assemble washer (6), spacer (7), washer (6) onto screw (7) as shown
 5. Insert screw (8) through handle (3), through washer (6), through door, through washer (6), through escutcheon (5) and secure to glass kit (pre-assembled)
- Please note, screw is able to be cut in field for different glass door thickness**
6. Bottom hole, repeat step 4
 7. Attach caps (10)