

JASON[®]

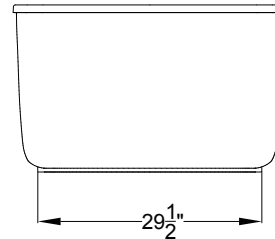
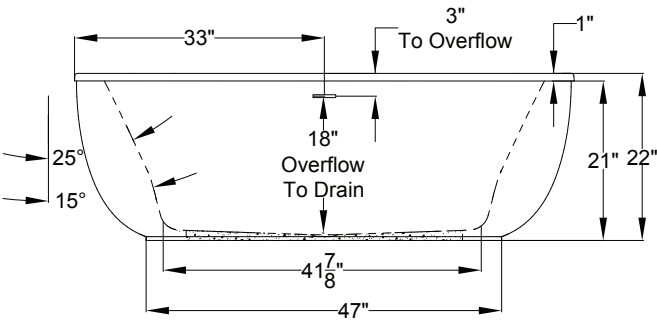
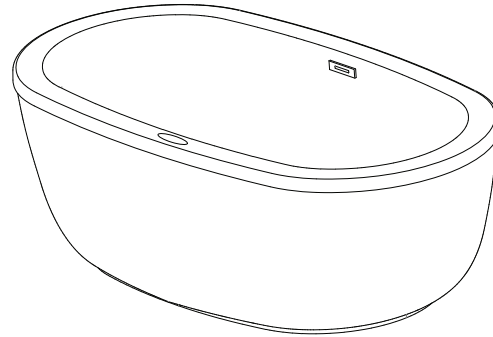
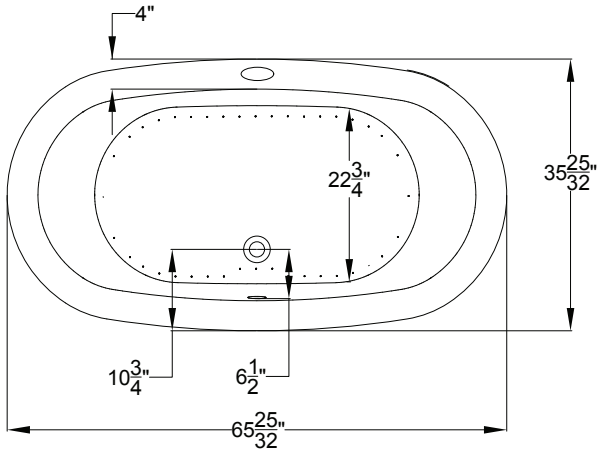
HYDROTHERAPY

8328 MacArthur Dr. • North Little Rock, AR 72118
 501.771.4477 • Fax: 501.771.2333
 Customer Service: 800.255.5766
 www.jasoninternational.com

forma[®] Collection Specifications

AC553PX

AirMasseur[®] & Soaking



**AIRMASSEUR BLOWER
 MUST BE REMOTE
 MOUNTED OR
 INSTALLED IN AN AEC
 EQUIPMENT CABINET.**

Patents received or pending.

Includes Linear Overflow Drain Assembly




Note: Dimensional Tolerances: ±1/4"

| | |
|----------------------------------|-----------------------|
| Drop-in-Hole Size: | N/A |
| Operating Capacity: | 39 Gal. |
| Overflow Capacity: | 77 Gal. |
| Floor Loading / sq.ft. | |
| (Air/Soaking): | 55 / 51.8 lbs. |
| Carton Wt. (Air/Soaking): | 185 / 147 lbs. |
| Cube: | 36.6 ft. ³ |

AirMasseur[®] Blower must be remote-mounted or installed in an Acrylic Equipment Cabinet.

Construction: Fiberglass reinforced acrylic bath with Level Form™ full-support base.

We provide products listed with Intertek ETL SEMKO (Edison Testing Laboratories) U.S. and Canadian and with International Association of Plumbing and Mechanical Officials (IAPMO). Consult factory with your listing requirements.

| | | |
|------------------|---|---|
| Standard |  | A 120V system that includes a 1HP, variable speed blower with integral heater; automatic purge cycle; an electronic control that operates blower and blower speed for continuous, wave, or massage pulse modes; and a 20-minute timer. |
| Premier |  | A 120V system that includes a 1HP, variable speed blower with integral heater; automatic purge cycle; (2) Chromotherapy mood lights; Automatic Ozone System; an electronic control that operates blower and blower speed for continuous, wave, or massage pulse modes; and a 20-minute timer. |
| Signature |  | A 120V system that includes a 1HP, variable speed blower with integral heater; automatic purge cycle; (2) Chromotherapy mood lights; Automatic Ozone System; a digital control with LCD display; low water level and temperature sensors; enhanced user control options; a 20-minute timer; and Bluetooth Sound Immersion System. Control keypad operates blower and blower speed for continuous, wave, or pulse massage modes, LED Chromotherapy lights, and shows equipment status, water temperature, and time remaining. |