

JASON[®]

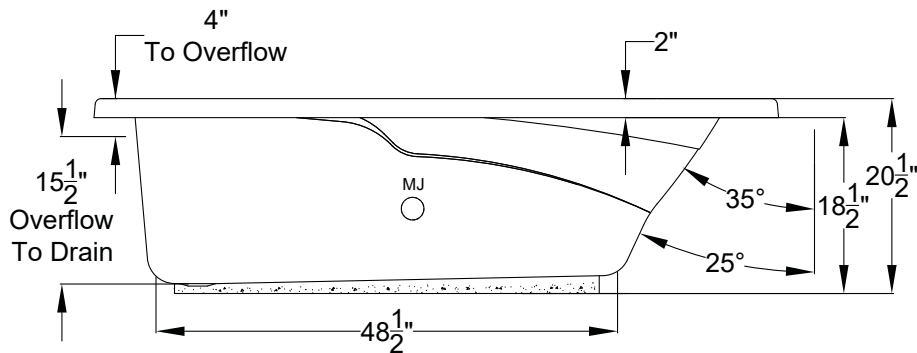
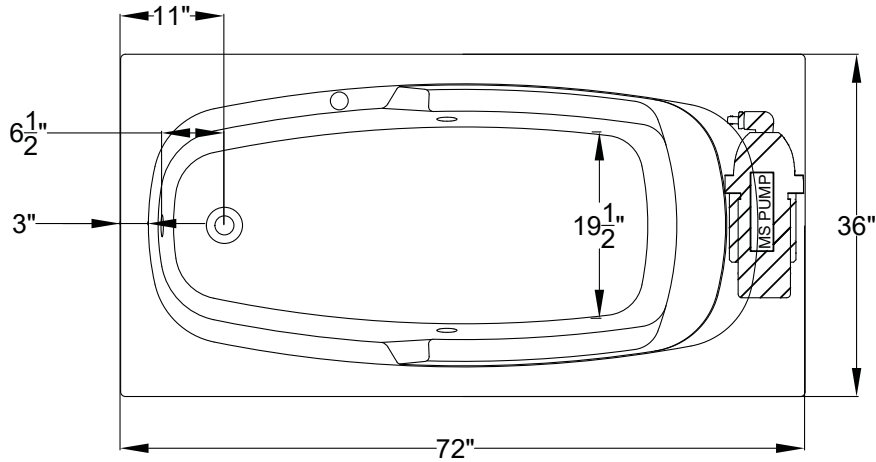
HYDROTHERAPY

8328 MacArthur Dr. • North Little Rock, AR 72118
 501.771.4477 • Fax: 501.771.2333
 Customer Service: 800.255.5766
 www.jasoninternational.com

Integrity[®] Collection Specifications

B3672

MicroSilk[®]



Patents received or pending.

Note: Dimensional Tolerances: ±1/4"

- Drop-in-Hole Size:** 34" x 70"
- Operating Capacity:** 45 Gal.
- Overflow Capacity:** 69 Gal.
- Floor Loading / sq.ft.:** 44.7 lbs.
- Carton Weight:** 119 lbs.
- Cube:** 37.3 ft.³

Air Switch Control



Includes a quiet, 120V MicroSilk[®] System, 1 MicroSilk[®] Delivery Port. Requires (1) 20A, 120V GFCI protected circuit.

Construction: Reinforced Acrylic shell mounted on Level Form[™] pre-leveled full support base.

We provide products listed with Intertek ETL SEMKO (Edison Testing Laboratories) U.S. and Canadian and International Association of Plumbing and Mechanical Officials (IAPMO). Consult factory with your listing requirements.