

JASON[®]

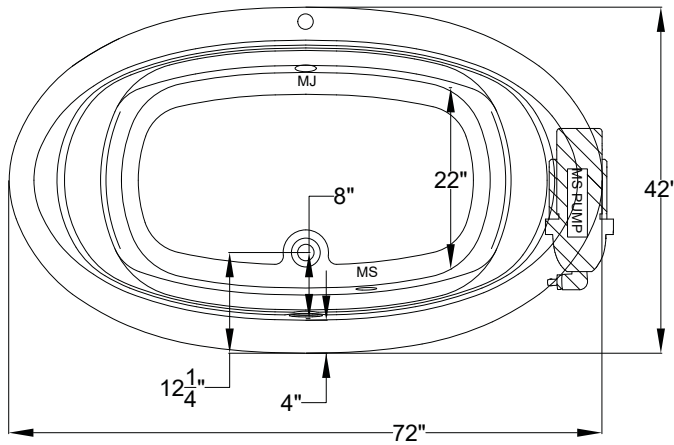
HYDROTHERAPY

8328 MacArthur Dr. • North Little Rock, AR 72118
 501.771.4477 • Fax: 501.771.2333
 Customer Service: 800.255.5766
 www.jasoninternational.com

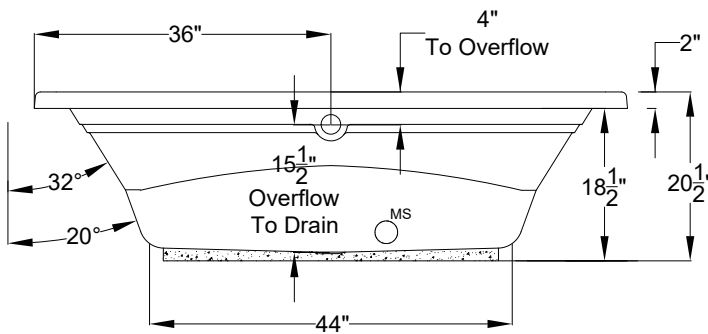
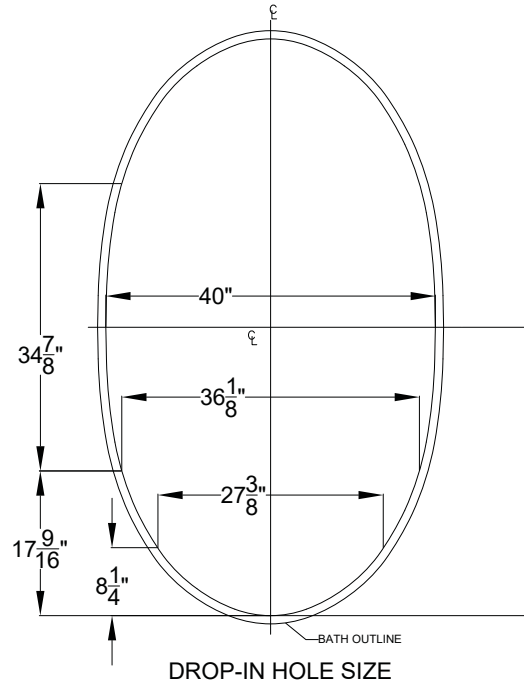
Integrity[®] Collection Specifications

V4272

MicroSilk[®]



Note: Equipment may extend beyond the outside perimeter of the bath. Consult factory for details.

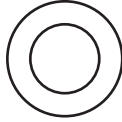


Patents received or pending.

Note: Dimensional Tolerances: ±1/4"

Drop-in-Hole Size:	See Diagram
Operating Capacity:	43 Gal.
Overflow Capacity:	70 Gal.
Floor Loading / sq.ft. (WP/ Soaking):	43.9/ 41.4 lbs.
Carton Wt. (WP/Soaking):	106/72 lbs.
Cube:	39.7 ft. ³

Air Switch Control



Includes a quiet, 120V MicroSilk[®] System, 1 MicroSilk[®] Delivery Port. Requires (1) 20A, 120v GFCI protected circuit.

Construction: Reinforced Acrylic shell mounted on Level Form™ pre-leveled full support base.

We provide products listed with Intertek ETL SEMKO (Edison Testing Laboratories) U.S. and Canadian and with International Association of Plumbing and Mechanical Officials (IAPMO). Consult factory with your listing requirements.