

# JASON<sup>®</sup>

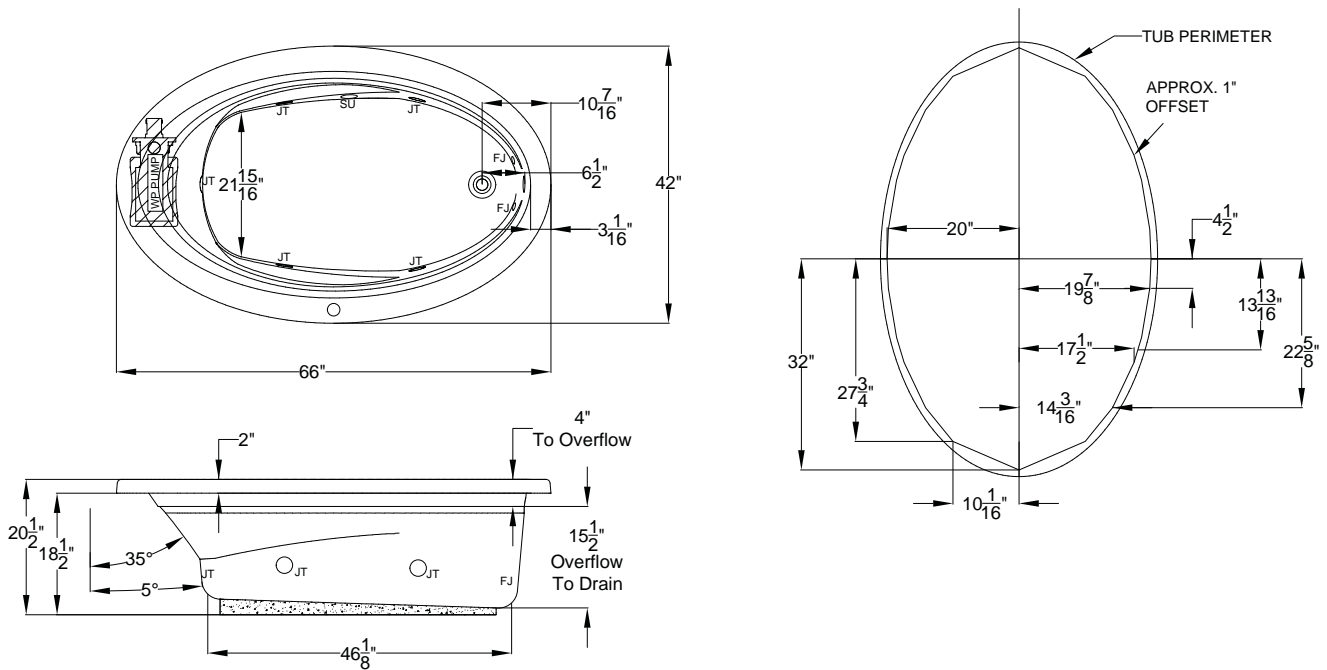
HYDROTHERAPY

8328 MacArthur Dr. • North Little Rock, AR 72118  
 501.771.4477 • Fax: 501.771.2333  
 Customer Service: 800.255.5766  
 www.jasoninternational.com

## Integrity<sup>®</sup> Collection Specifications

# W4266

### Whirlpool & Soaking




Patents received or pending.

Note: Dimensional Tolerances: ±1/4"

**Note:** The blower extends approximately 1" past the end radius of the bath. This requires angling the bath into the drop-in hole.

<b>Drop-in-Hole Size:</b>	See Diagram
<b>Operating Capacity:</b>	46 Gal.
<b>Overflow Capacity:</b>	74 Gal.
<b>Floor Loading / sq.ft. (WP/ Soaking):</b>	42.3/ 40.1 lbs.
<b>Carton Wt. (WP/Soaking):</b>	113/80 lbs.
<b>Cube:</b>	43.2 ft. <sup>3</sup>

Air Switch Control



Includes a quiet, 120v, 1HP, 1-speed pump and an air switch on/off control. Requires (1) 20A, 120v GFCI protected circuit.

**Construction:** Reinforced Acrylic shell mounted on Level Form™ pre-leveled full support base.

*We provide products listed with Intertek ETL SEMKO (Edison Testing Laboratories) U.S. and Canadian and with International Association of Plumbing and Mechanical Officials (IAPMO). Consult factory with your listing requirements.*