

Features

- One-piece toilets integrate the tank and bowl into a seamless, easy-to-clean design.
- Compact elongated bowl offers added comfort while occupying the same space as a round-front bowl.
- Standard height.
- Dual flush offers a choice of 0.8 or 1.28 gpf (3.0 or 4.8 lpf).
- Left-hand Polished Chrome trip lever.
- 2-1/8" (54 mm) fully glazed trapway.
- Fully skirted trapway simplifies cleaning.
- Quiet-Close™ elongated seat closes quietly.
- Coordinates with other products in the Brazn collection.

Installation

- Standard 12" (305 mm) rough-in.
- Supply line sold separately.

Recommended Products/Accessories

1265114 Connector Hose
1023457 Wax Ring/Hardware Kit

Included Components

Additional Components:
1422723 Quiet Close Seat
Mounting Hardware Included



Codes/Standards

ASME A112.19.2/CSA B45.1
ASME A112.19.14
DOE - Energy Policy Act 1992
EPA WaterSense®
California Energy Commission (CEC)


KOHLER® Toilets and Seats Limited Warranty

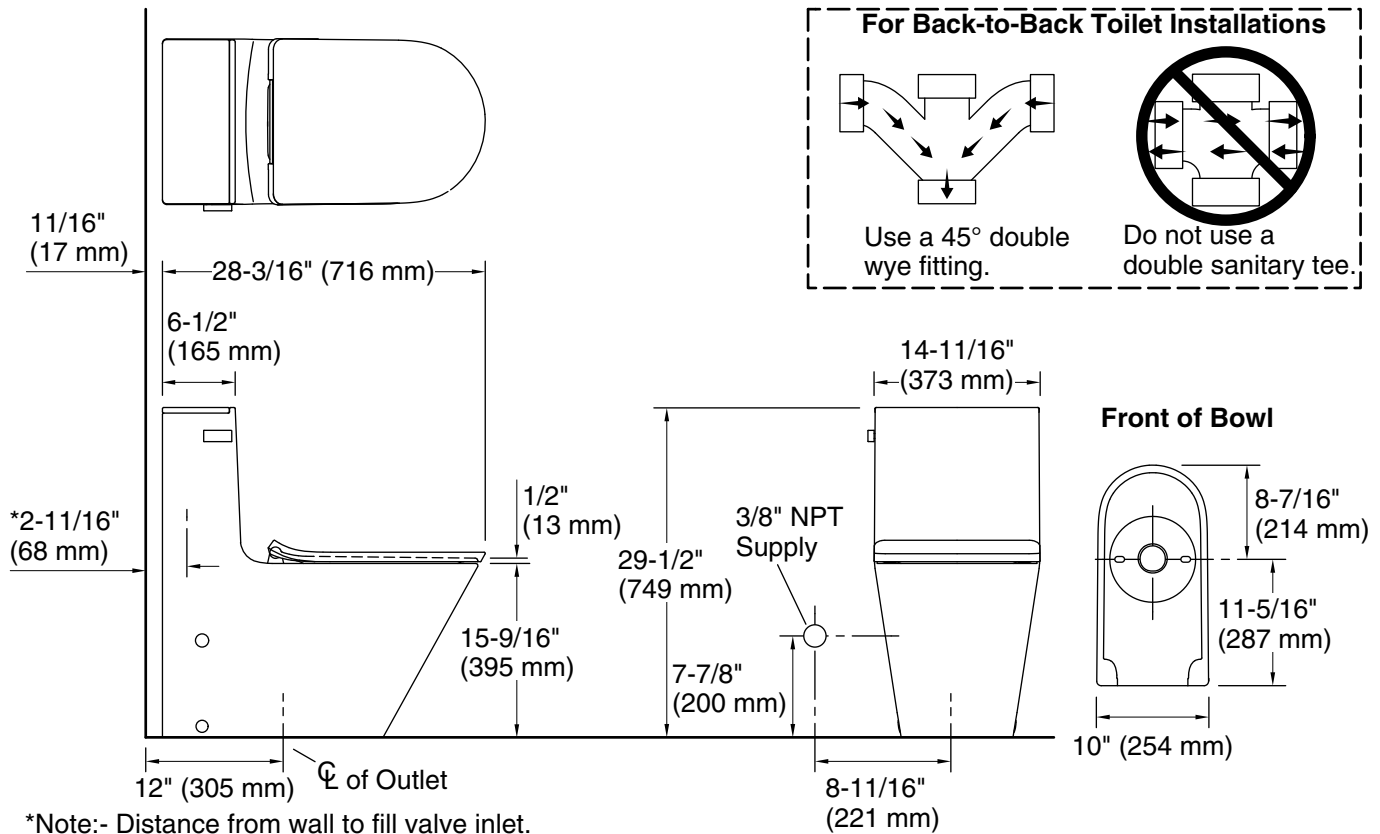
See website for detailed warranty information.

Available Colors/Finishes

Color tiles intended for reference only.

| Color | Code | Description |
|-------|------|-------------|
|-------|------|-------------|

| | | |
|---|---|-------|
|  | 0 | White |
|---|---|-------|



Technical Information

All product dimensions are nominal.

| | |
|-----------------------|--|
| Toilet type: | Floor-mount |
| Waste Outlet: | Floor |
| Bowl shape: | Elongated |
| Flush type: | Siphon jet |
| Trap passageway: | 2" (51 mm) |
| Water Consumption | |
| Full: | 1.28 gpf (4.8 lpf) |
| Reduced: | 0.8 gpf (3 lpf) |
| Water surface size: | 7-1/2" x 5-1/4" (191 mm x 133 mm) |
| Rim to water surface: | 6-3/16" (157 mm) |
| Rough-in: | 12" (305 mm) |
| Seat-mounting holes: | 5-1/2" (140 mm) |
| Template: | Footprint, 1385810-7, not required, included |

Notes

Install this product according to the installation instructions.

Fixture Supply Requirements

| | |
|----------------------|--------------------|
| Min static pressure: | 20 psi (137.9 kPa) |
| Max static pressure: | 80 psi (551.6 kPa) |

1-800-4KOHLER (1-800-456-4537)

Kohler Co. reserves the right to make revisions without notice to product specifications.

For the most current Specification Sheet, go to www.kohler.com.

5-29-2021 16:59 - US/CA