



**Undertone®**  
Under-Mount Kitchen Sink  
**K-3332**

**Features**

- 27-inch minimum base cabinet width.
- Single bowl.
- 7-1/2-inch depth.
- No faucet holes.
- SilentShield® sound-absorption technology offers quieter performance.
- Rear drain increases workspace in the sink and storage space underneath.
- Includes installation hardware.

**Material**

- Premium 18-gauge stainless steel.

**Installation**

- Under-mount

**Recommended Products/Accessories**

- K-3192 Sink Rack
- K-6391 Sink Rack
- K-8801 Sink Strainer
- K-8799 Sink Strainer

**Optional Products/Accessories**

- K-11352 Disposal Flange with Stopper

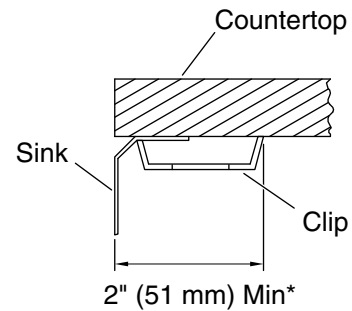
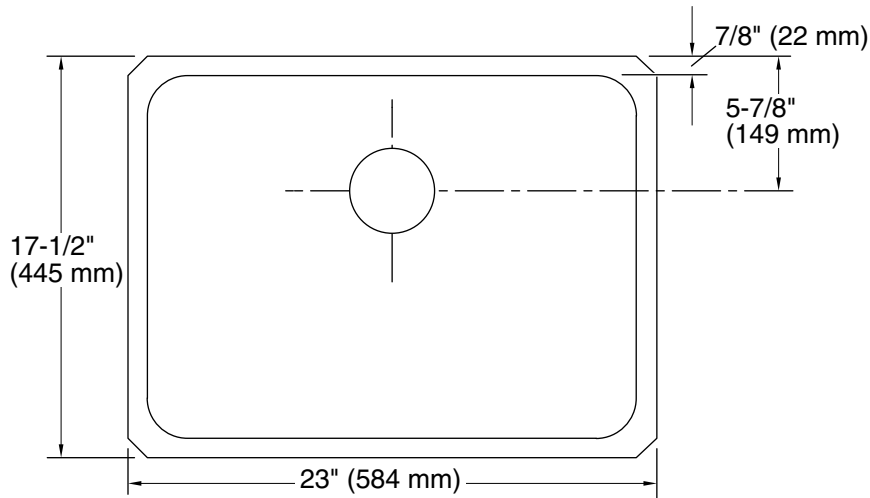


**Codes/Standards**

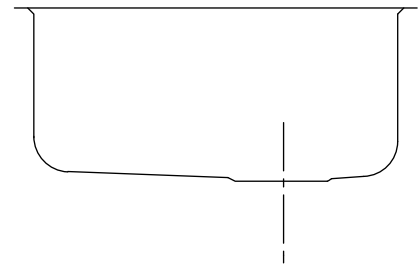
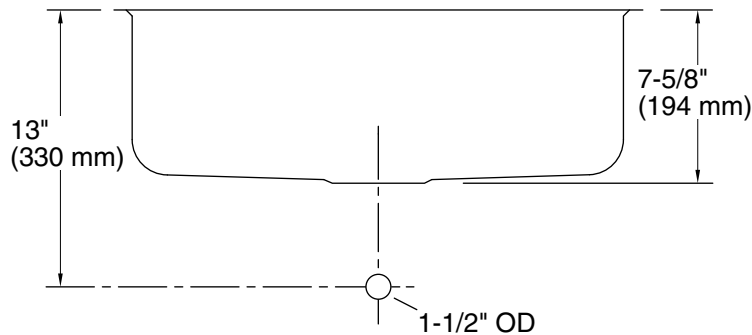
ASME A112.19.3/CSA B45.4

**Lifetime Limited Warranty for  
KOHLER® Stainless Steel Sinks**

See website for detailed warranty information.



\* Allow clearance around sink rim for clip attachment.



### Technical Information

All product dimensions are nominal.

Installation:	Under-mount
Min. base cabinet width:	27" (686 mm)
Bowl area (Center):	Length: 21-1/4" (540 mm) Width: 15-3/4" (400 mm) Bowl depth: 7-1/2" (191 mm) Water depth: 7-1/2" (191 mm)
Drain hole:	3-3/4" (94 mm)
Template:	113193-7, required, included

### Notes

Install this product according to the installation instructions.