

### Features

- 36-inch minimum base cabinet width.
- Double equal bowls.
- 6-inch depth.
- Three faucet holes with one accessory hole to the right.
- Rear drains increase workspace in the sink and storage space underneath.
- SilentShield® sound-absorption technology offers quieter performance.
- For under-mount installation, countertop thickness cannot be greater than 1 inch (25 mm) for ADA compliance.
- Includes installation hardware.

### Material

- Handcrafted from 18-gauge stainless steel.
- Premium 18-gauge stainless steel.

### Installation

- Top-mount or under-mount.

### Recommended Products/Accessories

- K-6641 Stainless steel sink rack
- K-8801 Sink Strainer
- K-8799 Sink Strainer

### Optional Products/Accessories

- K-6434 Saddle Utility Rack
- K-6667 Wood Cutting Board
- 1177161 Installation Clip Kit
- K-11352 Disposal Flange with Stopper

### Included Components

Product consists of:

- 1130570 Hardware Kit, Self-Rimming



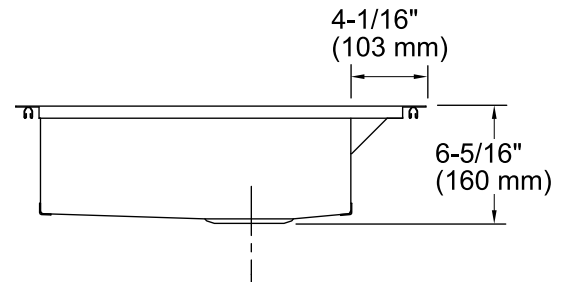
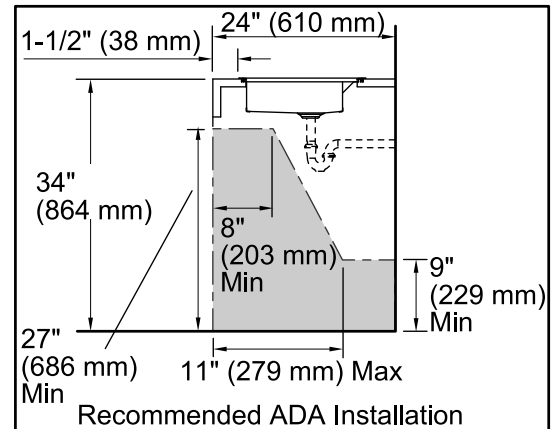
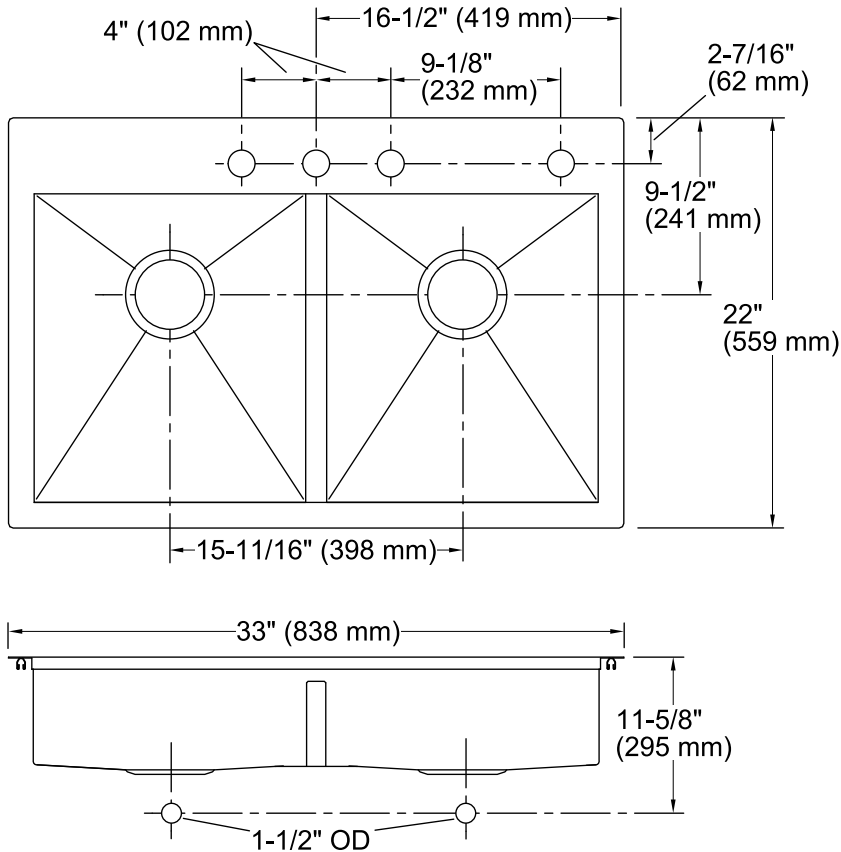
ADA

### Codes/Standards

ASME A112.19.3/CSA B45.4  
ADA  
ICC/ANSI A117.1

### Lifetime Limited Warranty for KOHLER® Stainless Steel Sinks

See website for detailed warranty information.



### Technical Information

All product dimensions are nominal.

- Bowl configuration: Double equal
- Installation: Top-mount, Under-mount
- Min. base cabinet width: 36" (914 mm)
- Bowl area (Left):
  - Length: 14-9/16" (370 mm)
  - Width: 16-9/16" (421 mm)
  - Bowl depth: 6" (152 mm)
- Bowl area (Right):
  - Length: 14-9/16" (370 mm)
  - Width: 16-9/16" (421 mm)
  - Bowl depth: 6" (152 mm)
- Number of deck holes: 4
- Faucet hole spacing: 4" (102 mm)
- Faucet hole(s): 1-7/16" (37 mm)
- Drain hole: 3-5/8" (92 mm)
- Template: 1130821, required, included

### Notes

- Install this product according to the installation instructions.
- ADA compliant when installed to the specific requirements of these regulations.