



Morningside™

Wall-mount Wheelchair Bathroom Sink

K-12636

Features

- Made from premium materials that withstand high-volume usage.
- Constructed of vitreous china.
- 20"L x 27"W.
- Wall-mount installation.
- 4" center drilling.
- Drilled for concealed arm carrier.
- ADA-compliant when installed with K-13885 offset drain.

Recommended Products/Accessories

K-8998 P-Trap
K-7131-A Offset Drain



ADA

Codes/Standards

ASME A112.19.2/CSA B45.1
ADA
ICC/ANSI A117.1

KOHLER® One-Year Limited Warranty

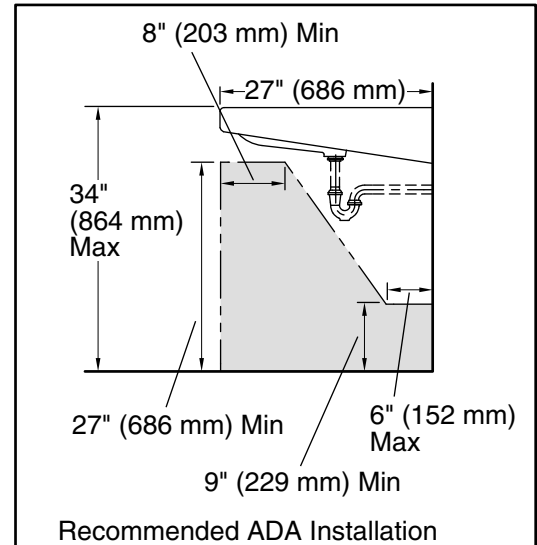
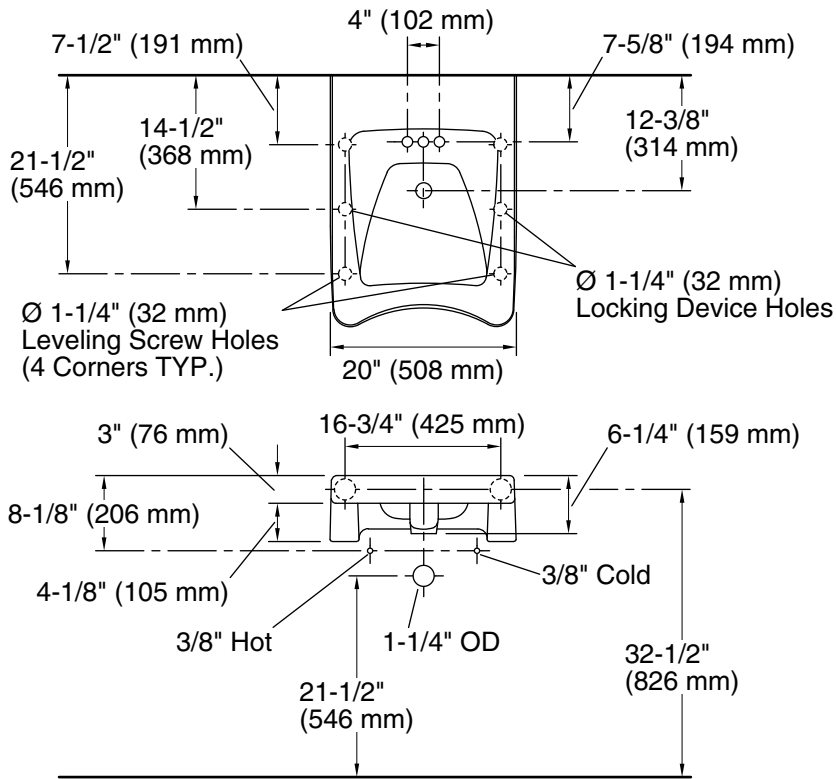
See website for detailed warranty information.

Available Colors/Finishes

Color tiles intended for reference only.

Color	Code	Description
-------	------	-------------

	0	White
--	---	-------



Technical Information

All product dimensions are nominal.

- Bowl configuration: Single
- Installation: Wall-mount
- Bowl area (Only): Length: 14" (356 mm)
Width: 13" (330 mm)
Water depth: 2-5/8" (67 mm)
- Number of deck holes: 3
- Faucet hole spacing: 4" (102 mm)
- Faucet hole(s): 1-1/4" (32 mm)
- Drain hole: 1-3/4" (44 mm)

Notes

Install this product according to the installation instructions.

ADA compliant when installed to the specific requirements of these regulations.