



# Morningside™

## Wall-mount Wheelchair Bathroom Sink

### K-12636-L

#### Features

- Made from premium materials that withstand high-volume usage.
- Constructed of vitreous china.
- 20"L x 27"W.
- Wall-mount installation.
- 4" center drilling.
- Includes soap dispenser drilling on left.
- Drilled for concealed arm carrier.
- ADA-compliant when installed with K-13885 offset drain.

#### Recommended Products/Accessories

- K-8998 P-Trap
- K-7131-A Offset Drain



ADA

#### Codes/Standards

ASME A112.19.2/CSA B45.1  
ADA  
ICC/ANSI A117.1



#### KOHLER® One-Year Limited Warranty

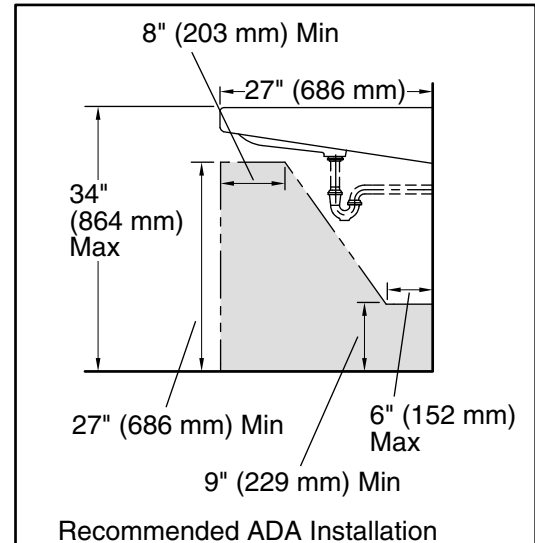
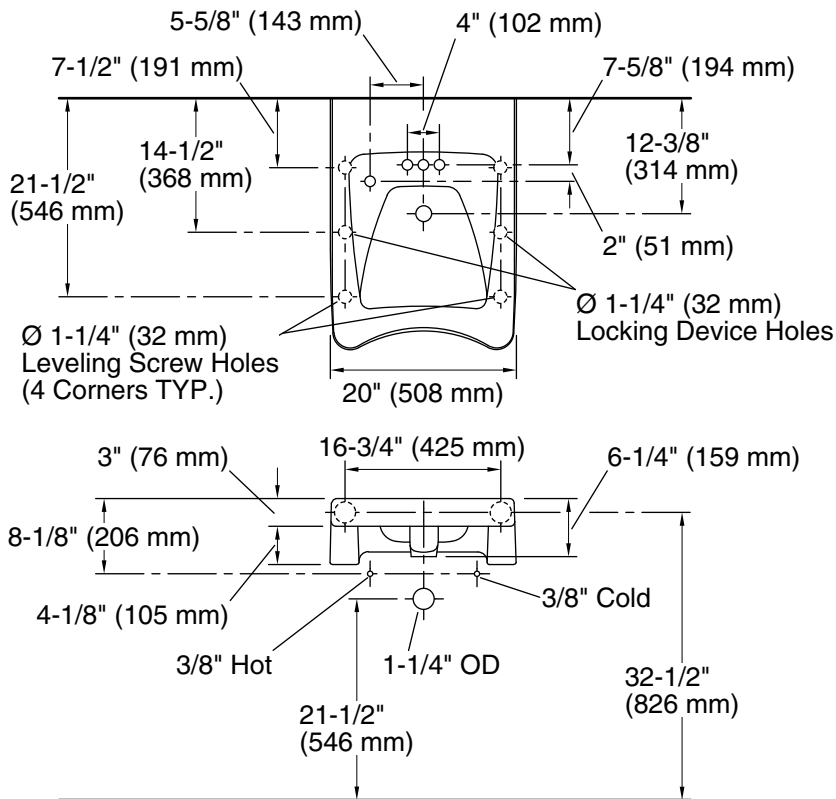
See website for detailed warranty information.

#### Available Colors/Finishes

*Color tiles intended for reference only.*

Color	Code	Description
-------	------	-------------

	0	White
	96	Biscuit



### Technical Information

All product dimensions are nominal.

Bowl configuration: Single

Installation: Wall-mount

Bowl area (Only): Length: 14" (356 mm)  
Width: 13" (330 mm)  
Water depth: 2-5/8" (67 mm)

Number of deck holes: 4

Faucet hole spacing: 4" (102 mm)

Faucet hole(s): 1-1/4" (32 mm)

Soap/Lotion hole: 1-1/4" (32 mm)

Drain hole: 1-3/4" (44 mm)

### Notes

Install this product according to the installation instructions.

ADA compliant when installed to the specific requirements of these regulations.