

### BEFORE YOU BEGIN

#### TOOLS AND MATERIALS REQUIRED

- Measuring tape
- Carpenters square
- Sealant
- Pencil
- Various carpentry tools

#### NOTES

With the exception of the support framing, the cabinet designs illustrated below are intended as suggestions only. Your specific installation requirements may vary from those shown.

All information in these instructions is based upon the latest product information available at the time of publication. Kohler Co. reserves the right to make changes in product characteristics, packaging, or availability at any time without notice.

Fixture dimensions are nominal and conform to tolerances in ASME Standard A112.19.2M.

All illustrations in this manual assume installation with a standard, 24" countertop. Other countertop sizes may also be used.

#### PRODUCT REQUIREMENTS

Due to the special nature of this installation, Kohler Co. recommends that an experienced cabinet maker build the new cabinet or modify an existing cabinet to achieve a satisfactory installation.

To ensure proper fit of the sink in the cabinet, we suggest you provide the cabinet maker with the actual sink that will be installed.

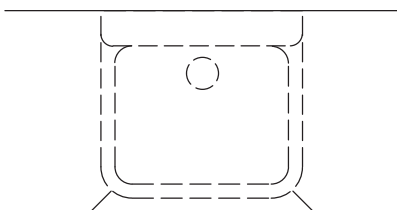
A wood support frame must be constructed to support 300 lbs. Follow all framing instructions exactly.

### INSTALLATION

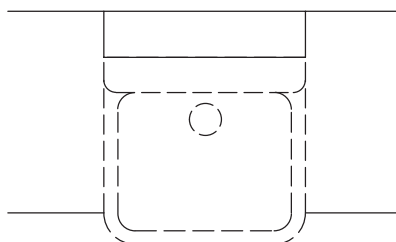
#### DETERMINE CABINET DESIGN

Before proceeding, determine whether or not the sink will be installed with the front apron exposed. Several basic cabinet design options are shown for your convenience. You may also use a design of your own.

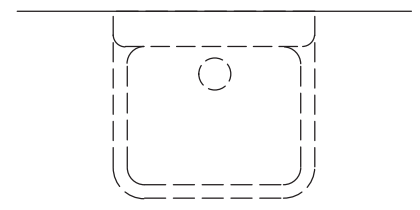
The sink should either be set back against the finished wall, or positioned so the sink front rim flange extends 2-3/4" from the front of the cabinet.



**SINK BACK, EXPOSED APRON**



**SINK FORWARD, EXPOSED APRON**

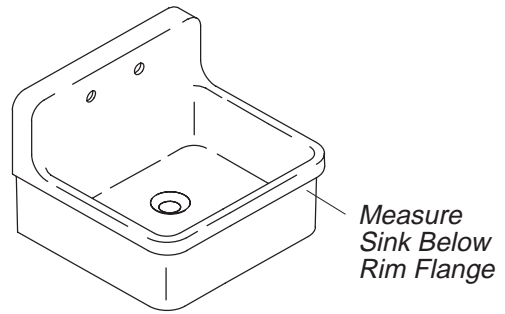


**SINK BACK, ENCLOSED APRON**

## CONSTRUCT CABINET AND SUPPORT FRAME

Measure the actual size of the sink below the rim flange. The cabinet opening should equal the sink dimensions to ensure a minimum gap between the sink apron and the cabinet.

If the sink is not available at the time of cabinet and support frame construction, make allowances to add wood filler strips or spacers to the cabinet opening after you install the cabinet, and before you install the sink.

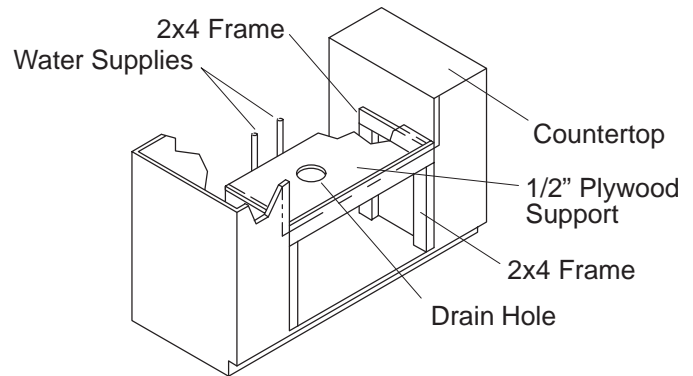


Carefully measure and sketch the cut-out area according to the measurements taken from the actual sink. Cut out the countertop.

Construct and level a wood support and frame inside the cabinet opening. Use 2x4 lumber and 1/2" plywood. Provide adequate clearance for water supplies between the support and the finished wall. Locate and cut a hole for the drain.

Route the water supply lines and drain piping.

Clean the countertop around the cutout.



## INSTALL SINK

**CAUTION: Risk of personal injury or product damage.** Handle with care. Vitreous china can break or chip if the fittings are overtightened, or if the product is handled carelessly.

**CAUTION: Risk of personal injury or property damage.** Large vitreous china sinks are very heavy. Get help lifting the sink.

Carefully lift the sink into position in the cabinet. Verify proper fit, and modify the cut-out area as needed to obtain a satisfactory fit.

Apply a bead of high-quality sealant around the sink edges. Carefully wipe away any excess.

Install the sink strainer, and connect to the drain assembly.

Install the faucet. Be sure to follow all instructions packed with the faucet.

Clean up with a **non-abrasive** cleaner.

