

Features

- Fits minimum 24-inch apron sink base cabinet.
- Single bowl.
- 8-5/8-inch depth.
- Integral apron and backsplash.
- Two faucet holes.
- Requires K-1814-P and service part 63001 for wall-mount installation (sold separately).

Material

- Vitreous china.

Installation

- Wall-mount or top-mount apron-front.

Required Products/Accessories

K-1814-P Wall-Mount Sink Brackets
63001 Bracket Tie Bar

Recommended Products/Accessories

K-6539 Drainboard with Sink Rack
K-8801 Sink Strainer
K-8799 Sink Strainer

Optional Products/Accessories

K-6013 Sink Rack
K-8803 Manual Sink Basket Strainer
K-8804 Sink Basket Strainer Body
K-8813 Manual Sink Strainer with Tailpiece
K-8814 Sink Strainer
K-8807 Sink Strainer
K-11352 Disposal Flange with Stopper
K-9000 P-Trap



Codes/Standards



ASME A112.19.2/CSA B45.1

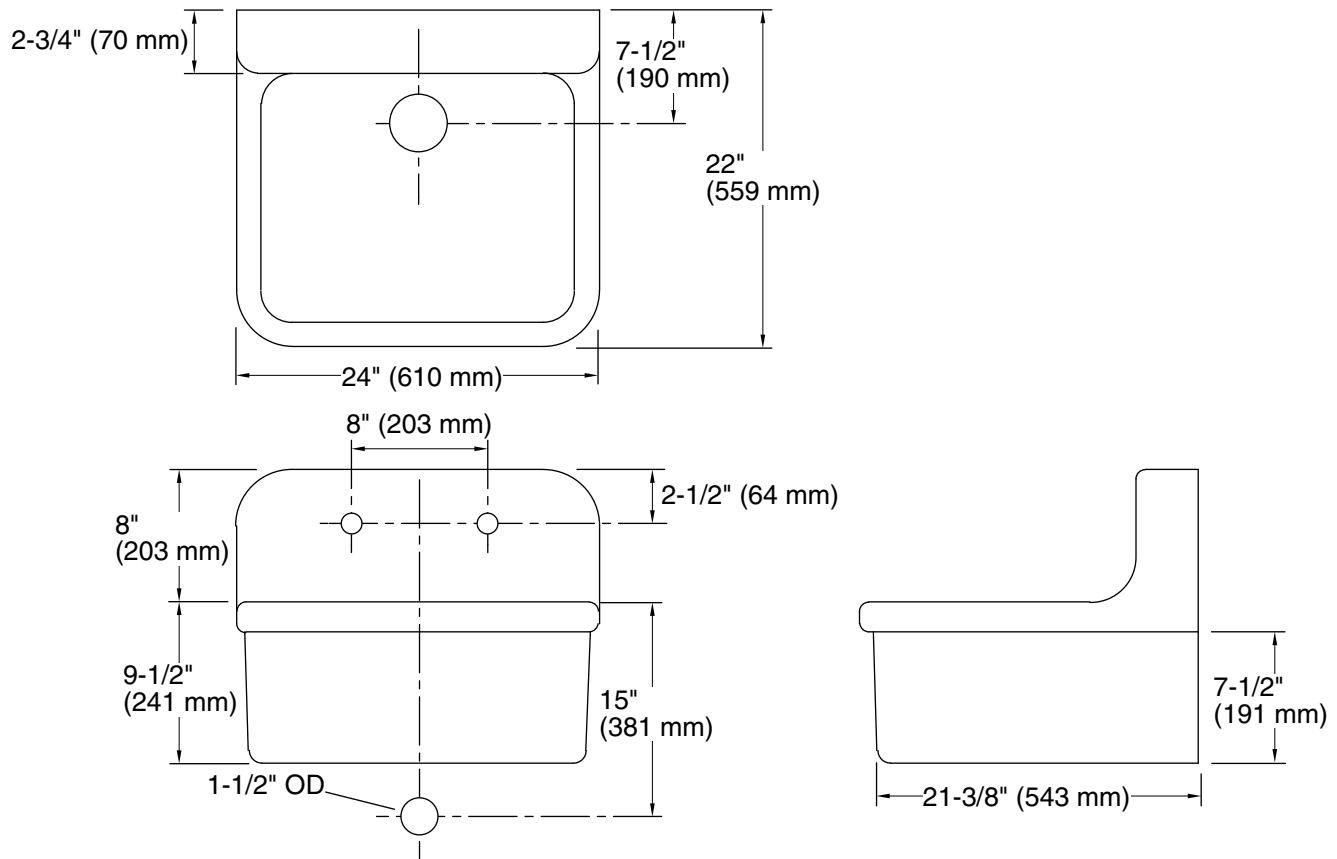
KOHLER® One-Year Limited Warranty

See website for detailed warranty information.

Available Colors/Finishes

Color tiles intended for reference only.

Color	Code	Description
	0	White
	96	Biscuit



Technical Information

All product dimensions are nominal.

Installation: Top-mount
Min. base cabinet width: 24" (610 mm)

Number of deck holes: 2

Faucet hole(s): 1-3/8" (35 mm)

Drain hole: 3-5/8" (92 mm)

Notes

Install this product according to the installation instructions.