



# Brenham™

## Wall-Mount Bathroom Sink

### K-1997-1NL

#### Features

- Single faucet hole.
- Oval basin.
- Sealed overflow drain.
- Left-hand hole drilled for soap or lotion dispenser.
- Includes wall hanger.

#### Material

- Vitreous china.

#### Installation

- Wall-mount.
- Drilled for concealed arm carrier installation.

#### Optional Products/Accessories

K-8998 P-Trap  
K-1998 Shroud

#### Included Components

Additional Components:  
Hanger(s) (Qty 2)



ADA CSA B651 OBC

#### Codes/Standards

ASME A112.19.2/CSA B45.1  
ADA  
ICC/ANSI A117.1  
CSA B651  
OBC


#### KOHLER® One-Year Limited Warranty

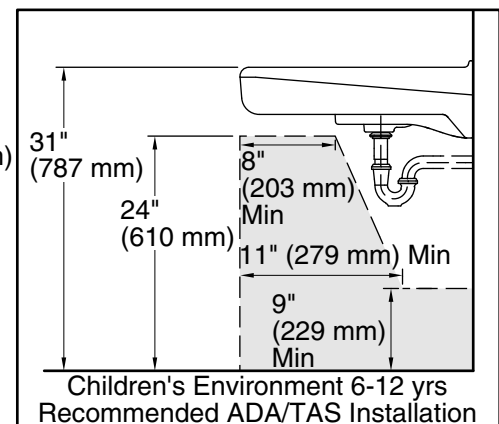
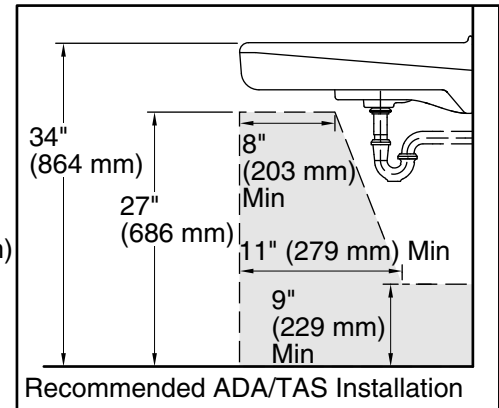
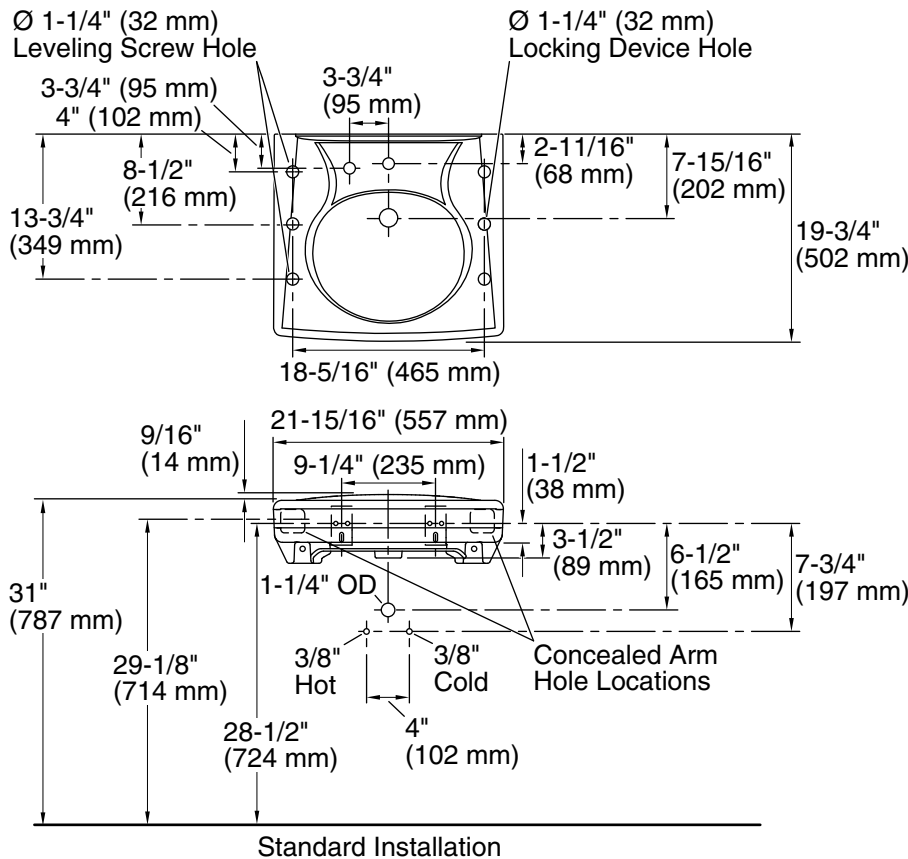
See website for detailed warranty information.

#### Available Colors/Finishes

*Color tiles intended for reference only.*

Color	Code	Description
-------	------	-------------

	0	White
--	---	-------



### Technical Information

All product dimensions are nominal.

- Bowl configuration: Single
- Installation: Wall-mount
- Bowl area (Only): Length:  $14\text{-}3/8\text{''}$  (365 mm)  
Width:  $12\text{-}5/16\text{''}$  (313 mm)  
With overflow: Yes  
Water depth:  $3\text{-}1/4\text{''}$  (83 mm)
- Number of deck holes: 2
- Faucet hole(s):  $1\text{-}3/8\text{''}$  (35 mm)
- Soap/Lotion hole:  $1\text{-}1/4\text{''}$  (32 mm)
- Drain hole:  $1\text{-}3/4\text{''}$  (44 mm)

### Notes

Install this product according to the installation instructions.

ADA, OBC, CSA B651 compliant when installed to the specific requirements of these regulations.