



**Brenham™**  
Wall-Mount Bathroom Sink  
**K-1997-1NR**

**Features**

- Single faucet hole.
- Oval basin.
- Sealed overflow drain.
- Right-hand hole drilled for soap or lotion dispenser.
- Includes wall hanger.

**Material**

- Vitreous china.

**Installation**

- Wall-mount.
- Drilled for concealed arm carrier installation.

**Optional Products/Accessories**

- K-8998 P-Trap
- K-1998 Shroud

**Included Components**

- Additional Components:  
Hanger(s) (Qty 2)



ADA	CSA B651	OBC
-----	----------	-----

**Codes/Standards**

- ASME A112.19.2/CSA B45.1
- ADA
- ICC/ANSI A117.1
- CSA B651
- OBC


**KOHLER® One-Year Limited Warranty**

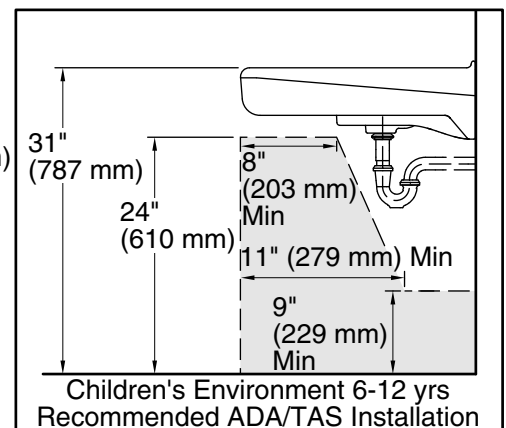
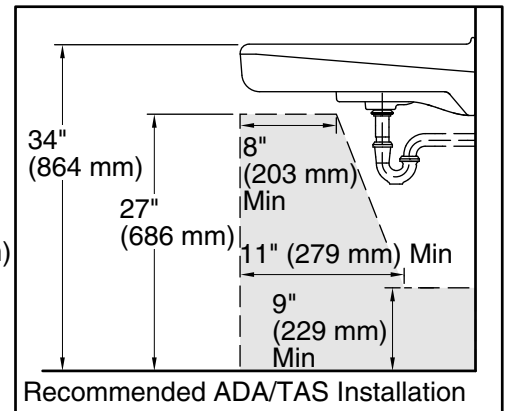
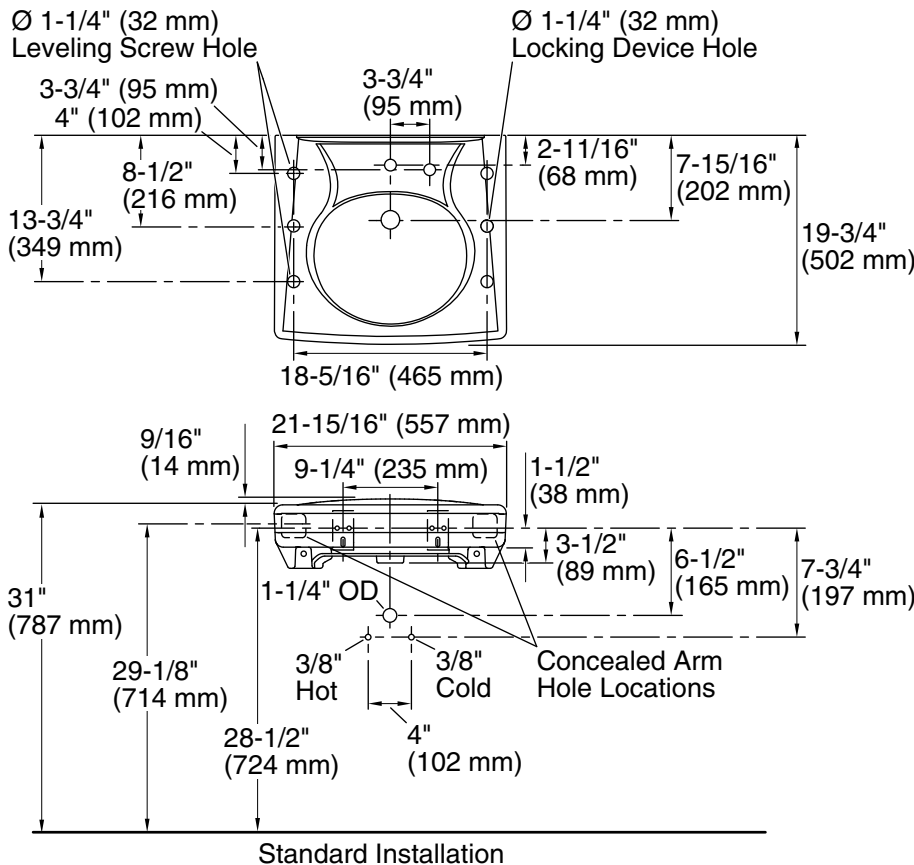
See website for detailed warranty information.

**Available Colors/Finishes**

*Color tiles intended for reference only.*

**Color Code Description**

	0	White
--	---	-------



### Technical Information

All product dimensions are nominal.

Bowl configuration:	Single
Installation:	Wall-mount
Bowl area (Only):	Length: $14\text{-}3/8\text{'' (365 mm)}$ Width: $12\text{-}5/16\text{'' (313 mm)}$ With overflow: Yes Water depth: $3\text{-}1/4\text{'' (83 mm)}$
Number of deck holes:	2
Faucet hole(s):	$1\text{-}3/8\text{'' (35 mm)}$
Soap/Lotion hole:	$1\text{-}1/4\text{'' (32 mm)}$
Drain hole:	$1\text{-}3/4\text{'' (44 mm)}$

### Notes

Install this product according to the installation instructions.

ADA, OBC, CSA B651 compliant when installed to the specific requirements of these regulations.