



Brenham™
Wall-Mount Bathroom Sink
K-1997-1R

Features

- Single faucet hole.
- Oval basin.
- Overflow drain.
- Right-hand hole drilled for soap or lotion dispenser.
- Includes wall hanger.

Material

- Vitreous china.

Installation

- Wall-mount.
- Drilled for concealed arm carrier installation.

Optional Products/Accessories

- K-1998 Shroud
- K-8998 P-Trap

Included Components

- Additional Components:
Hanger(s) (Qty 2)



ADA **CSA B651** **OBC**

Codes/Standards

- ASME A112.19.2/CSA B45.1
- ADA
- ICC/ANSI A117.1
- CSA B651
- OBC

KOHLER® One-Year Limited Warranty

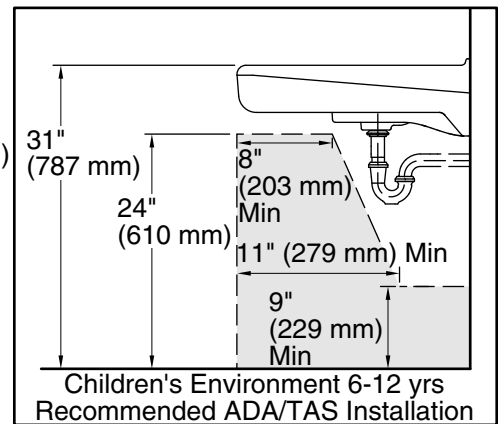
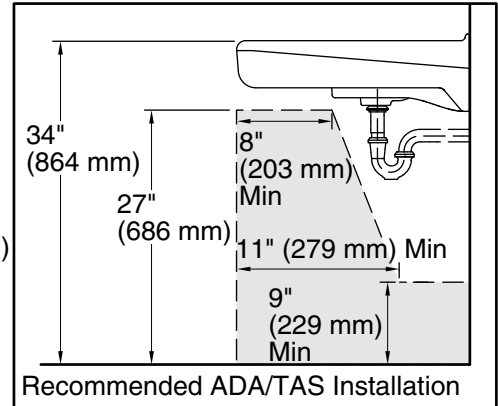
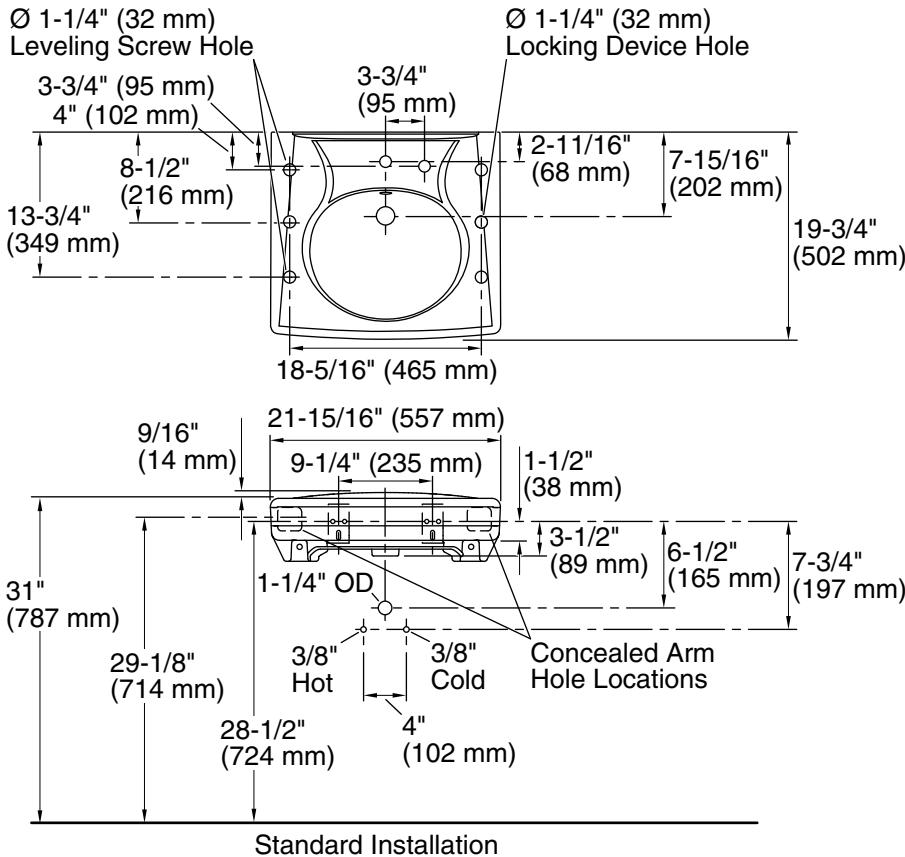
See website for detailed warranty information.

Available Colors/Finishes

Color tiles intended for reference only.

Color Code Description

■ 0 White



Technical Information

All product dimensions are nominal.

Bowl configuration: Single

Installation: Wall-mount

Bowl area (Only): Length: 14-3/8" (365 mm)
Width: 12-5/16" (313 mm)
With overflow: Yes
Water depth: 3-1/4" (83 mm)

Number of deck holes: 2

Faucet hole(s): 1-3/8" (35 mm)

Soap/Lotion hole: 1-1/4" (32 mm)

Drain hole: 1-3/4" (44 mm)

Notes

Install this product according to the installation instructions.

ADA, OBC, CSA B651 compliant when installed to the specific requirements of these regulations.