



**Brenham™**  
Wall-Mount Bathroom Sink  
**K-1997-4N**

**Features**

- 4-inch center faucet holes.
- Oval basin.
- Sealed overflow drain.
- Includes wall hanger.

**Material**

- Vitreous china.

**Installation**

- Wall-mount.
- Drilled for concealed arm carrier installation.

**Optional Products/Accessories**

- K-8998 P-Trap
- K-1998 Shroud

**Included Components**

- Additional Components:  
Hanger(s) (Qty 2)



**ADA** **CSA B651** **OBC**

**Codes/Standards**

- ASME A112.19.2/CSA B45.1
- ADA
- ICC/ANSI A117.1
- CSA B651
- OBC

**KOHLER® One-Year Limited Warranty**

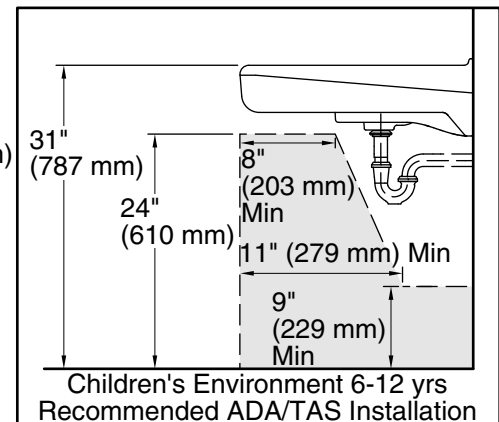
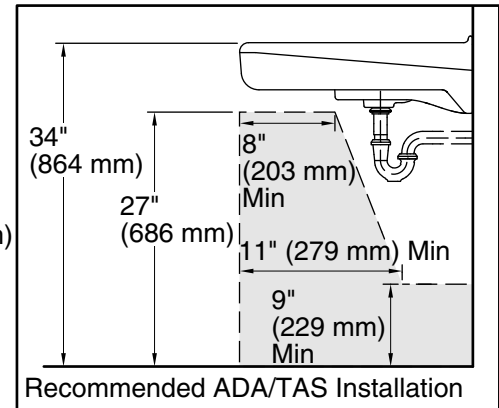
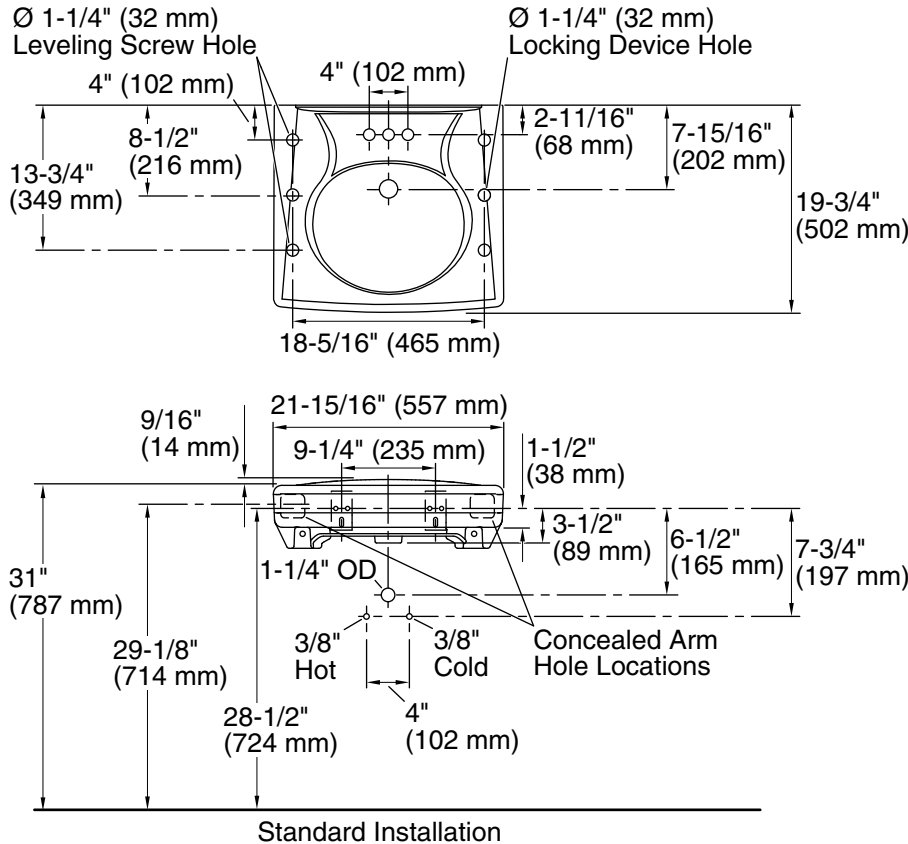
See website for detailed warranty information.

**Available Colors/Finishes**

*Color tiles intended for reference only.*

**Color Code Description**

■ 0 White



### Technical Information

All product dimensions are nominal.

Bowl configuration: Single  
Installation: Wall-mount  
Bowl area (Only): Length: 14-3/8" (365 mm)  
Width: 12-5/16" (313 mm)  
With overflow: Yes  
Water depth: 3-1/4" (83 mm)

Number of deck holes: 3  
Faucet hole spacing: 4" (102 mm)  
Faucet hole(s): 1-1/4" (32 mm)  
Drain hole: 1-3/4" (44 mm)

### Notes

Install this product according to the installation instructions.

ADA, OBC, CSA B651 compliant when installed to the specific requirements of these regulations.