



**Brenham™**  
 Wall-Mount Bathroom Sink  
**K-1997-SS1NR**

**Features**

- Single faucet hole.
- Oval basin.
- Sealed overflow drain.
- Right-hand hole drilled for soap or lotion dispenser.
- Includes wall hanger.

**Material**

- Vitreous china.

**Technology**

- Antimicrobial finish inhibits the growth of mold, mildew, stain and odor causing bacteria on the fixture surface.

**Installation**

- Wall-mount.
- Drilled for concealed arm carrier installation.

**Optional Products/Accessories**

- K-8998 P-Trap
- K-1998 Shroud

**Included Components**

- Additional Components:
- Hanger(s) (Qty 2)



ADA	CSA B651	OBC
-----	----------	-----


**Codes/Standards**

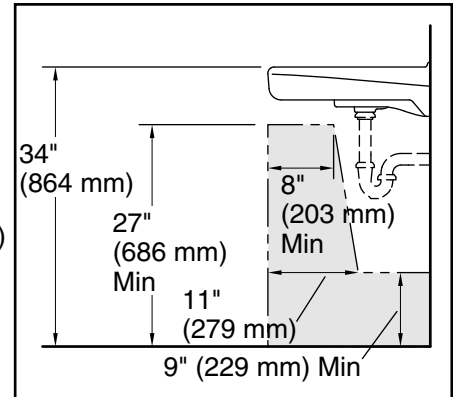
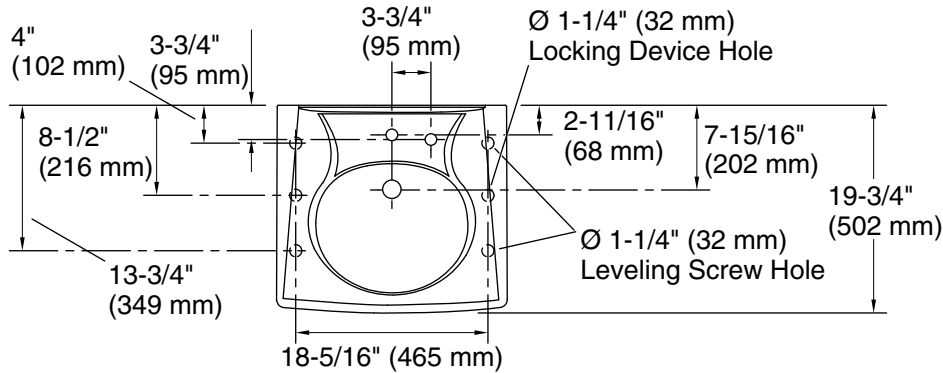
- ASME A112.19.2/CSA B45.1
- ADA
- ICC/ANSI A117.1
- CSA B651
- OBC

**KOHLER® One-Year Limited Warranty**  
 See website for detailed warranty information.

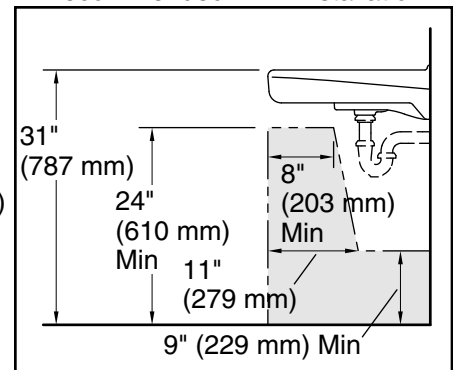
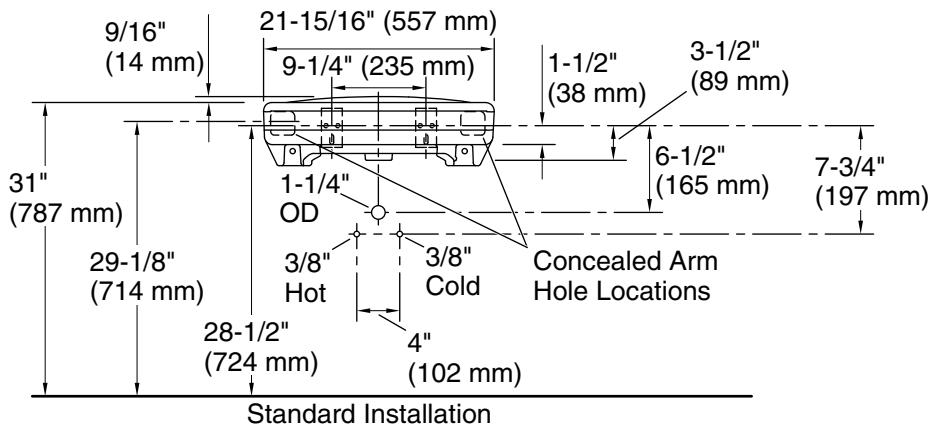
**Available Colors/Finishes**

*Color tiles intended for reference only.*

Color	Code	Description
	0	White



Recommended ADA Installation



Children's Environment 6-12 Yrs Recommended ADA Installation

### Technical Information

All product dimensions are nominal.

- Bowl configuration: Single
- Installation: Wall-mount
- Bowl area (Only): Length: 14-3/8" (365 mm)  
Width: 12-5/16" (313 mm)  
With overflow: Yes  
Water depth: 3-1/4" (83 mm)
- Number of deck holes: 2
- Faucet hole(s): 1-3/8" (35 mm)
- Soap/Lotion hole: 1-1/4" (32 mm)
- Drain hole: 1-3/4" (44 mm)

### Notes

Install this product according to the installation instructions.

ADA, OBC, CSA B651 compliant when installed to the specific requirements of these regulations.