



Brenham™
 Wall-Mount Bathroom Sink
K-1997-SS4N

Features

- With hanger.
- Without overflow.
- Drilled for concealed arm carrier.
- 4 " (102 mm) centers.
- 21-15/16 " (557 mm) x 19-3/4 " (502 mm)

Material

- Vitreous china.

Technology

- Antimicrobial finish inhibits the growth of mold, mildew, stain and odor causing bacteria on the fixture surface.

Installation

- Wall-mount installation.

Optional Products/Accessories

- K-8998 P-Trap
- K-1998 Shroud

Included Components

- Additional Components:
 Hanger(s) (Qty 2)



ADA **CSA B651** **OBC**

Codes/Standards

- ASME A112.19.2/CSA B45.1
- ADA
- ICC/ANSI A117.1
- CSA B651
- OBC

KOHLER® One-Year Limited Warranty

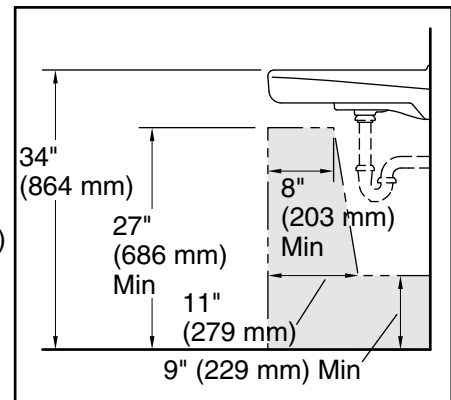
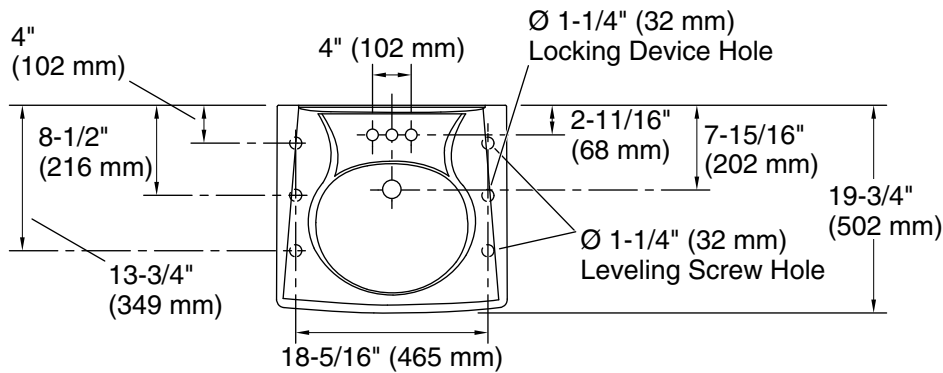
See website for detailed warranty information.

Available Colors/Finishes

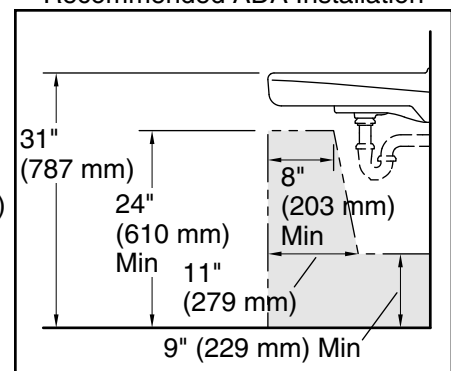
Color tiles intended for reference only.

Color Code Description

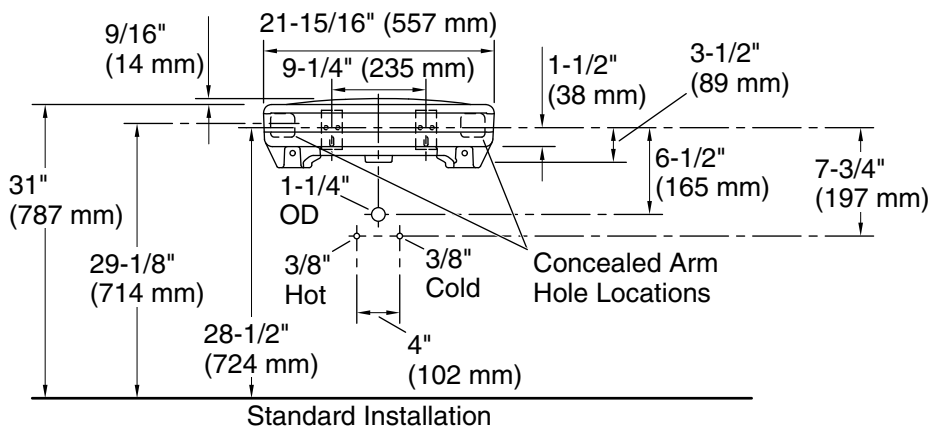
	0	White
--	---	-------



Recommended ADA Installation



Children's Environment 6-12 Yrs
Recommended ADA Installation



Standard Installation

Technical Information

All product dimensions are nominal.

Bowl configuration: Single
 Installation: Wall-mount
 Bowl area (Only): Length: 14-3/8" (365 mm)
 Width: 12-5/16" (313 mm)
 With overflow: Yes
 Water depth: 3-1/4" (83 mm)

Number of deck holes: 3
 Faucet hole spacing: 4" (102 mm)
 Faucet hole(s): 1-1/4" (32 mm)
 Drain hole: 1-3/4" (44 mm)

Notes

Install this product according to the installation instructions.

ADA, OBC, CSA B651 compliant when installed to the specific requirements of these regulations.