



Brenham™

Wall-mount Bathroom Sink With Shroud
K-1999-8N

Features

- 8-inch center faucet holes.
- Oval basin.
- Sealed overflow.
- Includes wall hanger.
- Combination consists of the K-1997-8N basin and the K-1998 shroud.

Material

- Vitreous china.

Installation

- Wall-mount.
- Drilled for concealed arm carrier installation.

Optional Products/Accessories

K-8998 P-Trap



ADA **CSA B651** **OBC**

Codes/Standards

ASME A112.19.2/CSA B45.1
ADA
ICC/ANSI A117.1
CSA B651
OBC

KOHLER® One-Year Limited Warranty

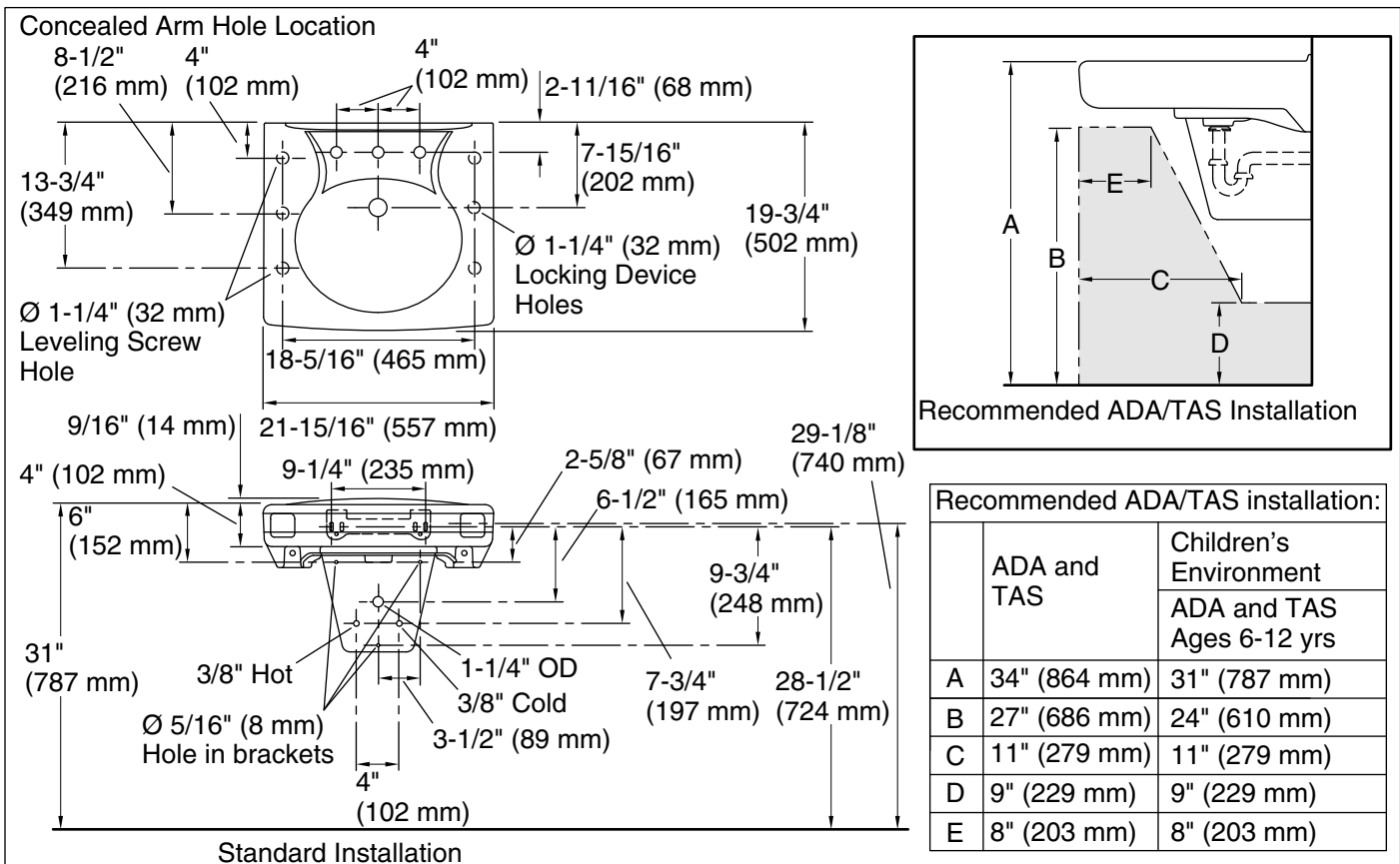
See website for detailed warranty information.

Available Colors/Finishes

Color tiles intended for reference only.

Color Code Description

■ 0 White



Technical Information

All product dimensions are nominal.

Installation: Wall-mount

Bowl area: Length: 14-3/8" (365 mm)
Width: 12-5/16" (313 mm)
Water depth: 3-1/4" (83 mm)

Number of deck holes: 3

Faucet hole spacing: 8" (203 mm)

Faucet hole(s): 1-3/8" (35 mm)

Drain hole: 1-3/4" (44 mm)

Notes

Install this product according to the installation instructions.

ADA and TAS standards permit parallel approach for children ages 5 years and younger.

ADA, OBC, CSA B651 compliant when installed to the specific requirements of these regulations.