



**Kingston™**  
 Wall-Mount Bathroom Sink  
**K-2005-R**

**Features**

- Made from premium materials that withstand high-volume usage.
- Constructed of vitreous china.
- 21-1/4" x 18-1/8"
- Wall-mount installation.
- Faucet not included.
- Includes wall hanger.
- Includes soap dispenser drilling on right.
- ADA-compliant when installed with K-13885 offset drain.



**Recommended Products/Accessories**

K-8998 P-Trap

**Included Components**

Additional Components:  
 Hanger(s)

ADA	CSA B651	OBC
-----	----------	-----



**Codes/Standards**

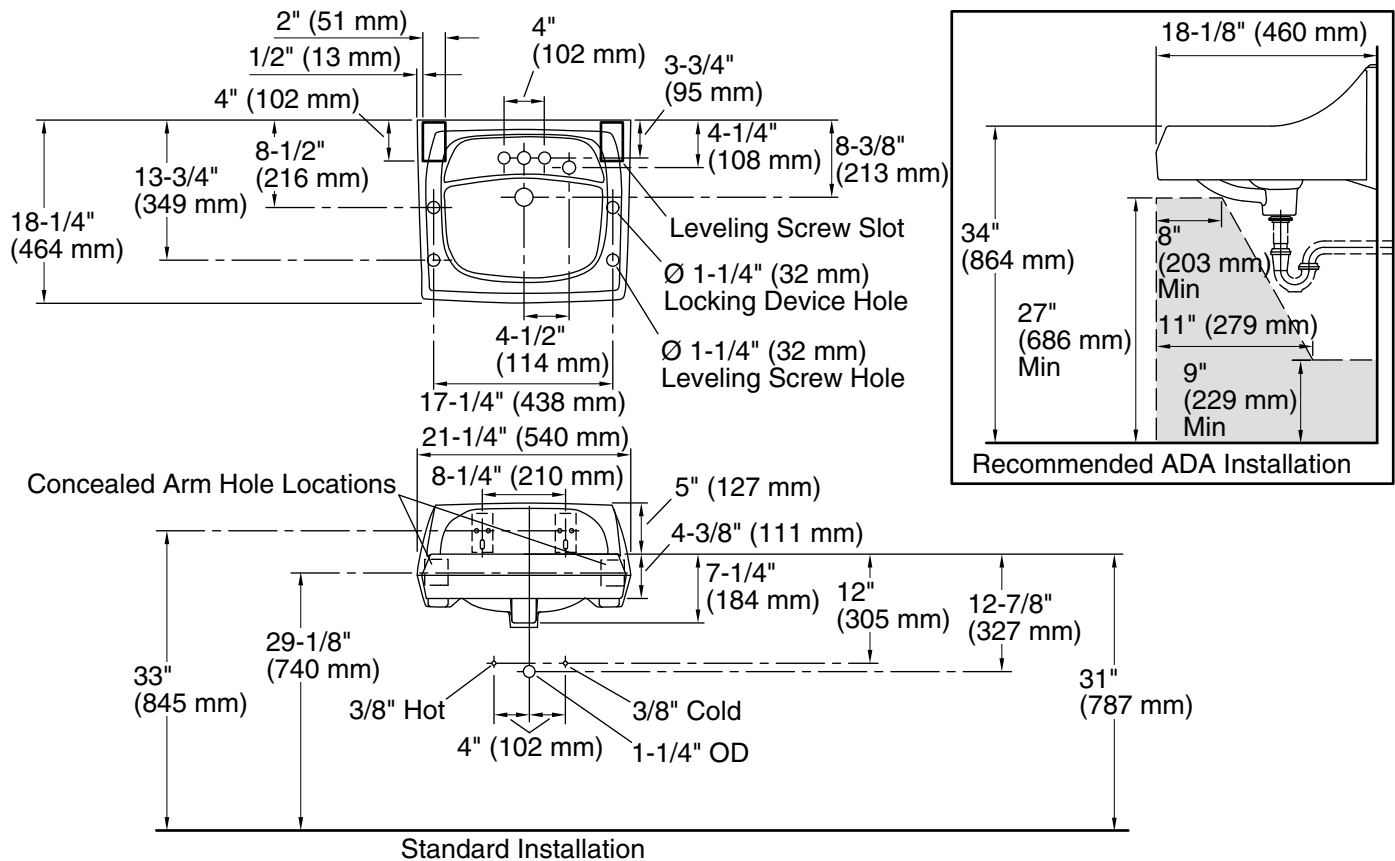
ASME A112.19.2/CSA B45.1  
 ADA  
 ICC/ANSI A117.1  
 CSA B651  
 OBC

**KOHLER® One-Year Limited Warranty**  
 See website for detailed warranty information.

**Available Colors/Finishes**

*Color tiles intended for reference only.*

Color	Code	Description
	0	White
	7	Black Black™



### Technical Information

All product dimensions are nominal.

- Bowl configuration: Single
- Installation: Wall-mount
- Bowl area (Only): Length: 16" (406 mm)  
Width: 10" (254 mm)  
With overflow: Yes  
Water depth: 3-1/8" (79 mm)
- Number of deck holes: 4
- Faucet hole spacing: 4" (102 mm)
- Faucet hole(s): 1-1/4" (32 mm)
- Drain hole: 1-3/4" (44 mm)

### Notes

- Install this product according to the installation instructions.
- ADA, OBC, CSA B651 compliant when installed to the specific requirements of these regulations.