



**Kingston™**  
Wall-Mount Bathroom Sink  
**K-2007**

**Features**

- Made from premium materials that withstand high-volume usage.
- Constructed of vitreous china.
- 21-1/4"L x 18-1/8"W.
- Wall-mount installation.
- Faucet not included.
- Includes wall hanger.
- Drilled for concealed arm carrier.

**Recommended Products/Accessories**

K-8998 P-Trap

**Included Components**

Additional Components:  
Hanger(s)



**ADA** **CSA B651** **OBC**

**Codes/Standards**

ASME A112.19.2/CSA B45.1  
ADA  
ICC/ANSI A117.1  
CSA B651  
OBC


**KOHLER® One-Year Limited Warranty**

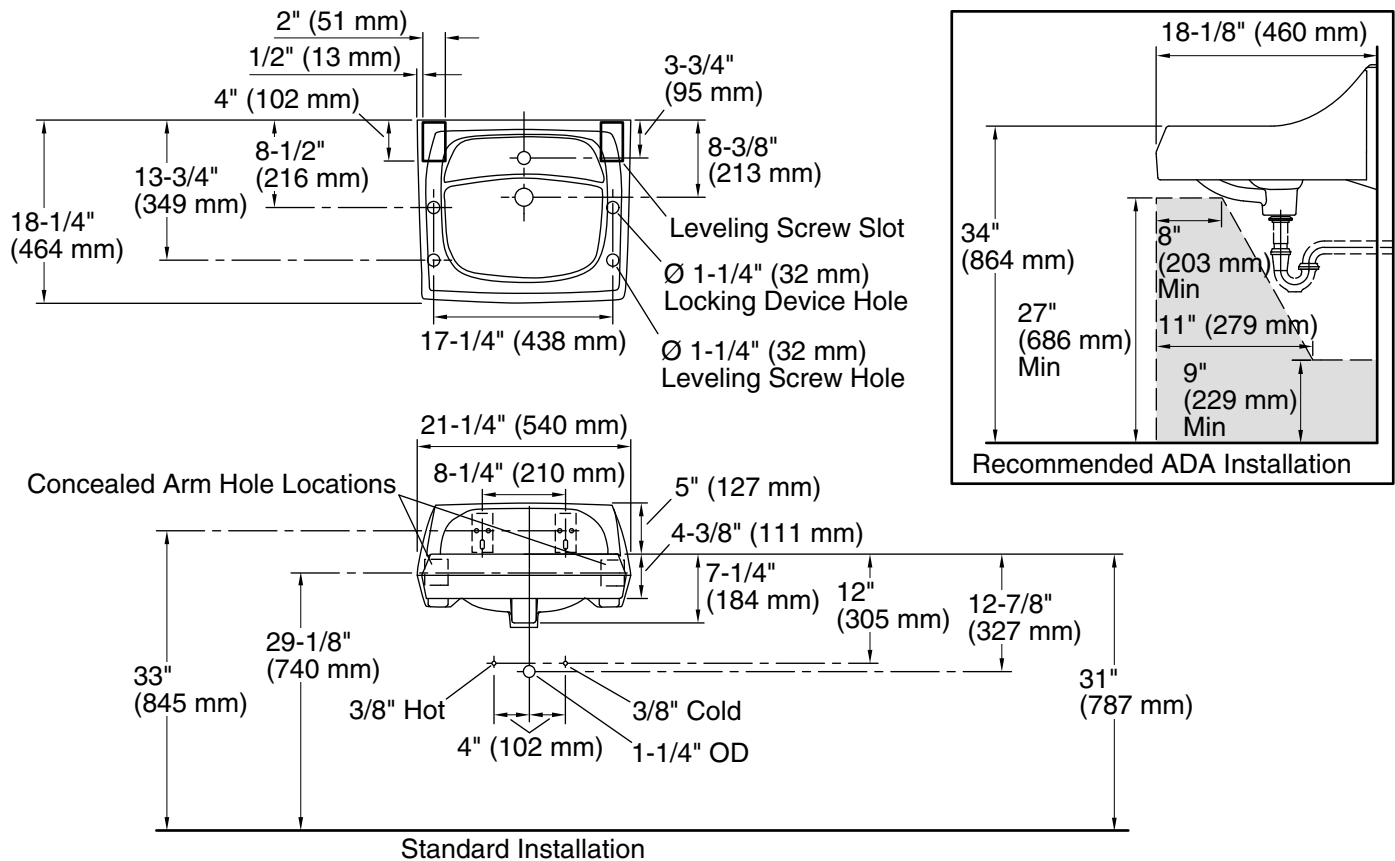
See website for detailed warranty information.

**Available Colors/Finishes**

*Color tiles intended for reference only.*

**Color Code Description**

	0	White
	47	Almond



### Technical Information

All product dimensions are nominal.

Bowl configuration:	Single
Installation:	Wall-mount
Bowl area (Center):	Length: 10" (254 mm) Width: 15" (381 mm) With overflow: Yes Water depth: 3-1/4" (83 mm)
Number of deck holes:	1
Faucet hole spacing:	8" (203 mm)
Faucet hole(s):	1-3/8" (35 mm)
Soap/Lotion hole:	1-1/4" (32 mm)
Drain hole:	1-3/4" (44 mm)

### Notes

Install this product according to the installation instructions.

ADA, OBC, CSA B651 compliant when installed to the specific requirements of these regulations.