

### Features

- Made from premium materials that withstand high-volume usage.
- Constructed of vitreous china.
- 20-3/4"L x 18-1/4"W.
- Wall-mount installation.
- 8" center drilling.
- Includes wall hanger.
- Drilled for concealed arm carrier.
- With sealed overflow for commercial hospitals jobs.

### Recommended Products/Accessories

K-8998 P-Trap

### Included Components

Additional Components:  
Hanger(s)



ADA

### Codes/Standards

ASME A112.19.2/CSA B45.1  
ADA  
ICC/ANSI A117.1


### KOHLER® One-Year Limited Warranty

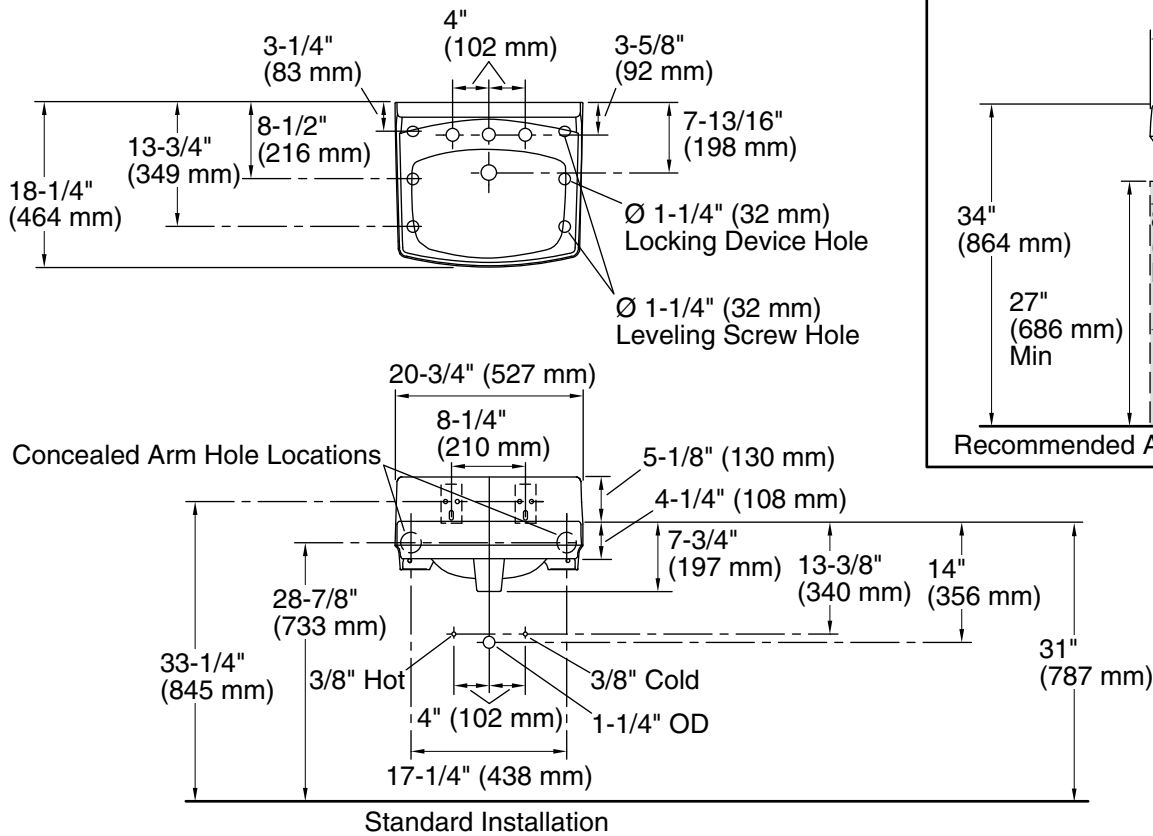
See website for detailed warranty information.

### Available Colors/Finishes

*Color tiles intended for reference only.*

Color	Code	Description
-------	------	-------------

	0	White
--	---	-------



### Technical Information

All product dimensions are nominal.

- Bowl configuration: Single  
 Installation: Wall-mount  
 Bowl area (Center): Length: 10" (254 mm)  
 Width: 15" (381 mm)  
 With overflow: Yes  
 Water depth: 3-1/4" (83 mm)
- Number of deck holes: 3  
 Faucet hole spacing: 8" (203 mm)  
 Faucet hole(s): 1-3/8" (35 mm)  
 Drain hole: 1-3/4" (44 mm)

### Notes

Install this product according to the installation instructions.

ADA compliant when installed to the specific requirements of these regulations.