



**Greenwich™**  
Wall-Mount Bathroom Sink  
**K-2031-N**

**Features**

- Made from premium materials that withstand high-volume usage.
- Constructed of vitreous china.
- 20-3/4"L x 18-1/4"W.
- Wall-mount installation.
- Single-hole drilling.
- Includes wall hanger.
- Drilled for concealed arm carrier.
- With sealed overflow for commercial hospitals jobs.

**Recommended Products/Accessories**

- K-8998 P-Trap
- K-1808-P Wall-Mount Sink Brackets

**Included Components**

- Additional Components:  
Hanger(s)



ADA

**Codes/Standards**

- ASME A112.19.2/CSA B45.1
- ADA
- ICC/ANSI A117.1

**KOHLER® One-Year Limited Warranty**

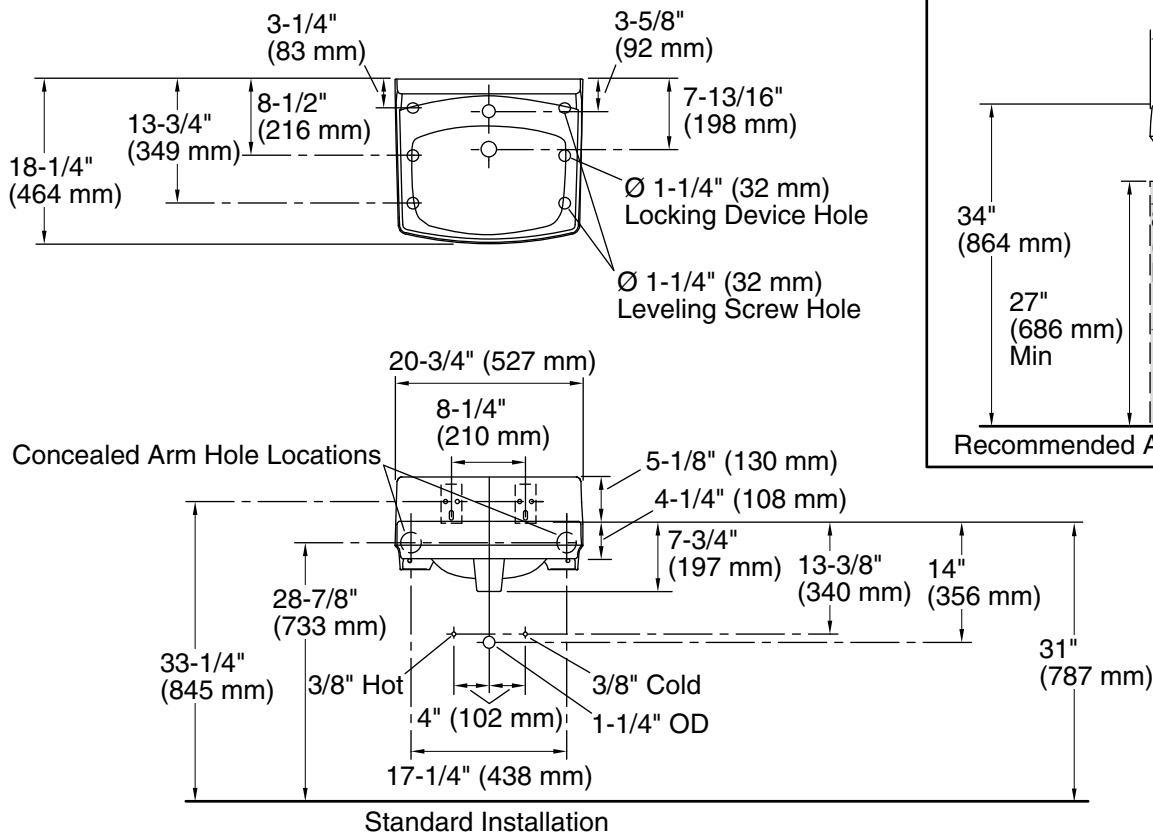
See website for detailed warranty information.

**Available Colors/Finishes**

*Color tiles intended for reference only.*

**Color Code Description**

■ 0 White



### Technical Information

All product dimensions are nominal.

Bowl configuration: Single  
 Installation: Wall-mount  
 Bowl area (Center): Length: 10" (254 mm)  
 Width: 15" (381 mm)  
 With overflow: Yes  
 Water depth: 3-1/4" (83 mm)

Number of deck holes: 1  
 Faucet hole spacing: 8" (203 mm)  
 Faucet hole(s): 1-3/8" (35 mm)  
 Soap/Lotion hole: 1-1/4" (32 mm)  
 Drain hole: 1-3/4" (44 mm)

### Notes

Install this product according to the installation instructions.

ADA compliant when installed to the specific requirements of these regulations.