

## Features

- Made from premium materials that withstand high-volume usage.
- Constructed of vitreous china.
- 20" x 18"
- Wall-mount installation.
- 8" center drilling.
- Drilled for concealed arm carrier.
- With sealed overflow and soap dispenser drilling on left.

## Recommended Products/Accessories

K-8998 P-Trap

## Included Components

Additional Components:  
Hanger(s)



ADA

CSA B651

OBC

## Codes/Standards

ASME A112.19.2/CSA B45.1  
ADA  
ICC/ANSI A117.1  
CSA B651  
OBC

## KOHLER® One-Year Limited Warranty

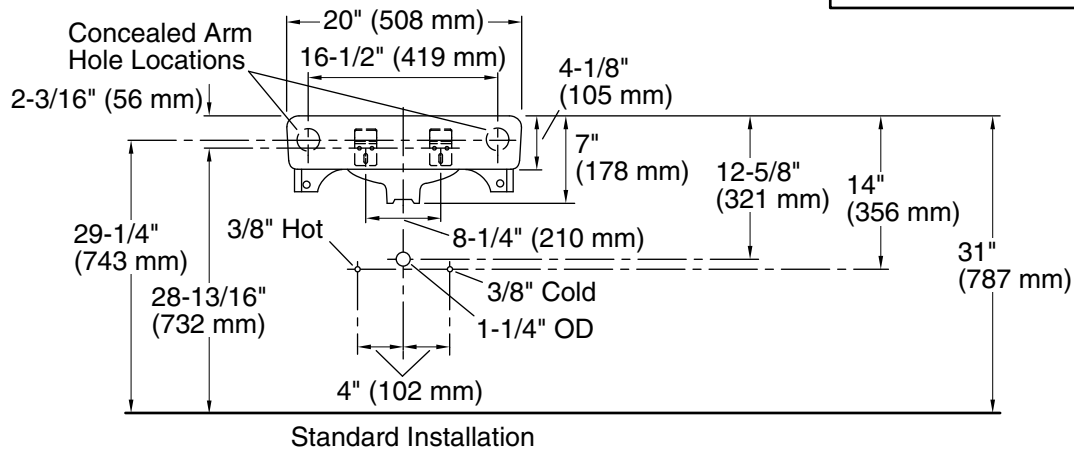
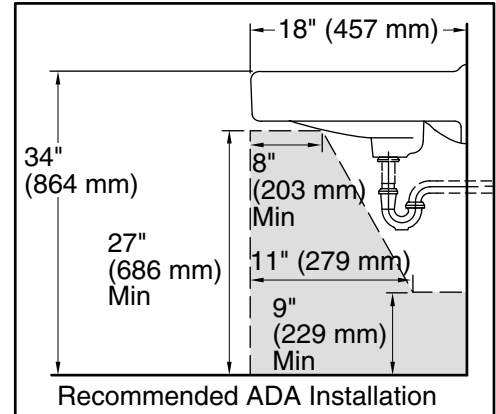
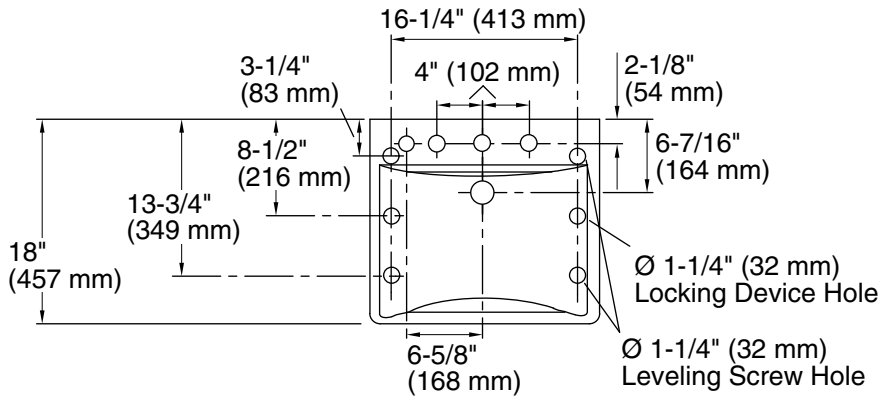
See website for detailed warranty information.

## Available Colors/Finishes

*Color tiles intended for reference only.*

Color	Code	Description
-------	------	-------------

	0	White
--------------------------------------------------------------------------------------	---	-------



### Technical Information

All product dimensions are nominal.

Bowl configuration:	Single
Installation:	Wall-mount
Bowl area (Center):	Length: 18" (457 mm)
	Width: 13" (330 mm)
	With overflow: Yes
	Water depth: 4-7/8" (124 mm)
Number of deck holes:	4
Faucet hole spacing:	8" (203 mm)
Faucet hole(s):	1-3/8" (35 mm)
Soap/Lotion hole:	1-1/4" (32 mm)
Drain hole:	1-3/4" (44 mm)

### Notes

Install this product according to the installation instructions.

If an arm carrier is used, select a soap dispenser with a 1" (25 mm) maximum shank diameter to avoid interference with the arm carrier.

Use a soap dispenser with adequate shank length to extend through the 4-1/8" (105 mm) sink thickness.

ADA, OBC, CSA B651 compliant when installed to the specific requirements of these regulations.