

### Features

- Made from premium materials that withstand high-volume usage.
- Constructed of vitreous china.
- 20" x 18"
- Wall-mount installation.
- Single-hole drilling.
- Drilled for concealed arm carrier.
- With sealed overflow for commercial hospitals jobs.

### Recommended Products/Accessories

K-8998 P-Trap

### Included Components

Additional Components:  
Hanger(s)



ADA CSA B651 OBC

### Codes/Standards

ASME A112.19.2/CSA B45.1  
ADA  
ICC/ANSI A117.1  
CSA B651  
OBC


### KOHLER® One-Year Limited Warranty

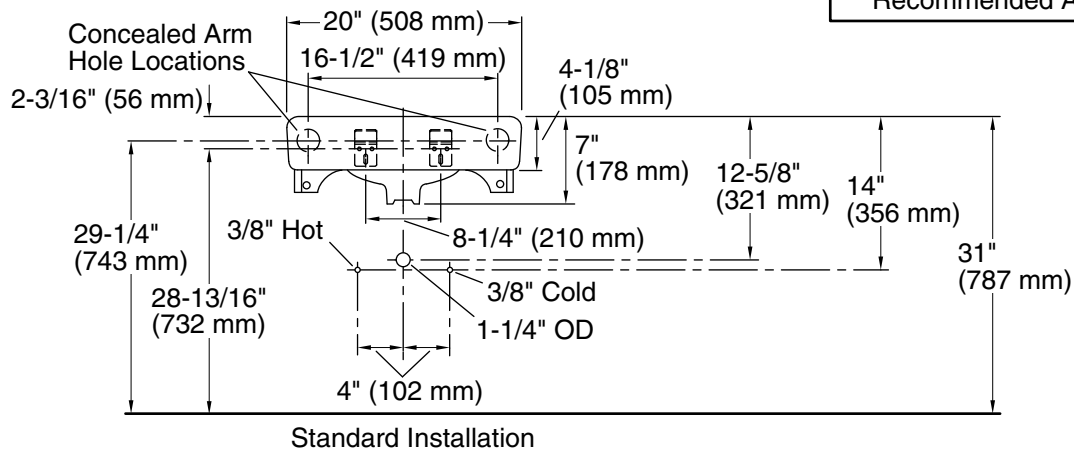
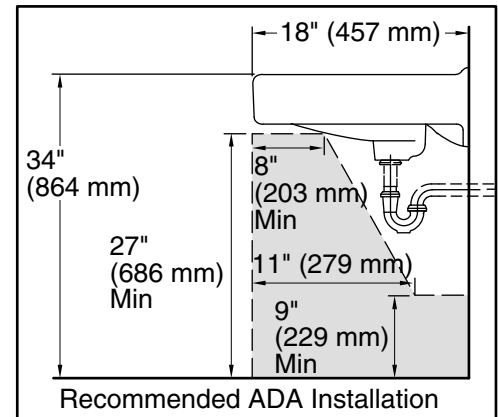
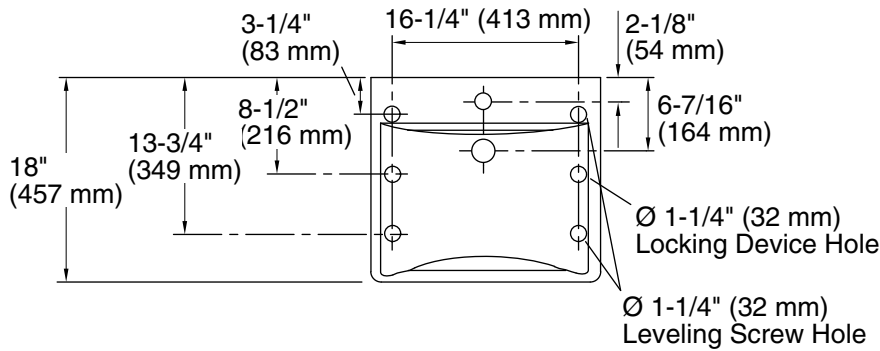
See website for detailed warranty information.

### Available Colors/Finishes

*Color tiles intended for reference only.*

Color	Code	Description
-------	------	-------------

	0	White
--	---	-------



## Technical Information

All product dimensions are nominal.

- Bowl configuration: Single  
 Installation: Wall-mount  
 Bowl area (Only): Length: 18" (457 mm)  
 Width: 13" (330 mm)  
 Water depth: 4-7/8" (124 mm)  
 Number of deck holes: 1  
 Faucet hole(s): 1-3/8" (35 mm)  
 Drain hole: 1-3/4" (44 mm)

## Notes

- Install this product according to the installation instructions.  
 ADA, OBC, CSA B651 compliant when installed to the specific requirements of these regulations.