

## Features

- Large single bowl.
- 10-inch depth provides generous workspace.
- No faucet holes.
- Includes bamboo cutting board, two multipurpose grated racks, colander, and washbin.
- Three graduated ledges in basin allow you to place accessories at your preferred height.
- Accessories stack and slide on ledges for a custom arrangement.
- Beveled cone-shape basin slopes into drain, easily disposing debris.
- Large size cutting board (21"x16") included with sink - covers entire sink.
- Also available: Medium size cutting board 10"x16" - covers half the sink. (Sold separately # K-5541-NA)
- SilentShield sound-absorption technology offers quieter performance.
- Includes installation hardware.
- Works with all standard countertop thicknesses. Pairs best with 3cm countertop thickness if a flush surface between counter and cutting board is desired.

## Material

- Premium 18-gauge stainless steel.

## Installation

- Under-mount.
- Minimum base cabinet width: 24"-27" (24" may require cabinet modifications).

## Recommended Products/Accessories

K-8801 Sink Strainer  
K-8799 Sink Strainer

## Optional Products/Accessories

K-11352 Disposal Flange with Stopper

## Included Components

Product consists of:

K-5544 Colander and Washbin  
K-5542 Multipurpose Grated Rack  
K-5542 Multipurpose Grated Rack  
K-23680 Large Bamboo Cutting Board

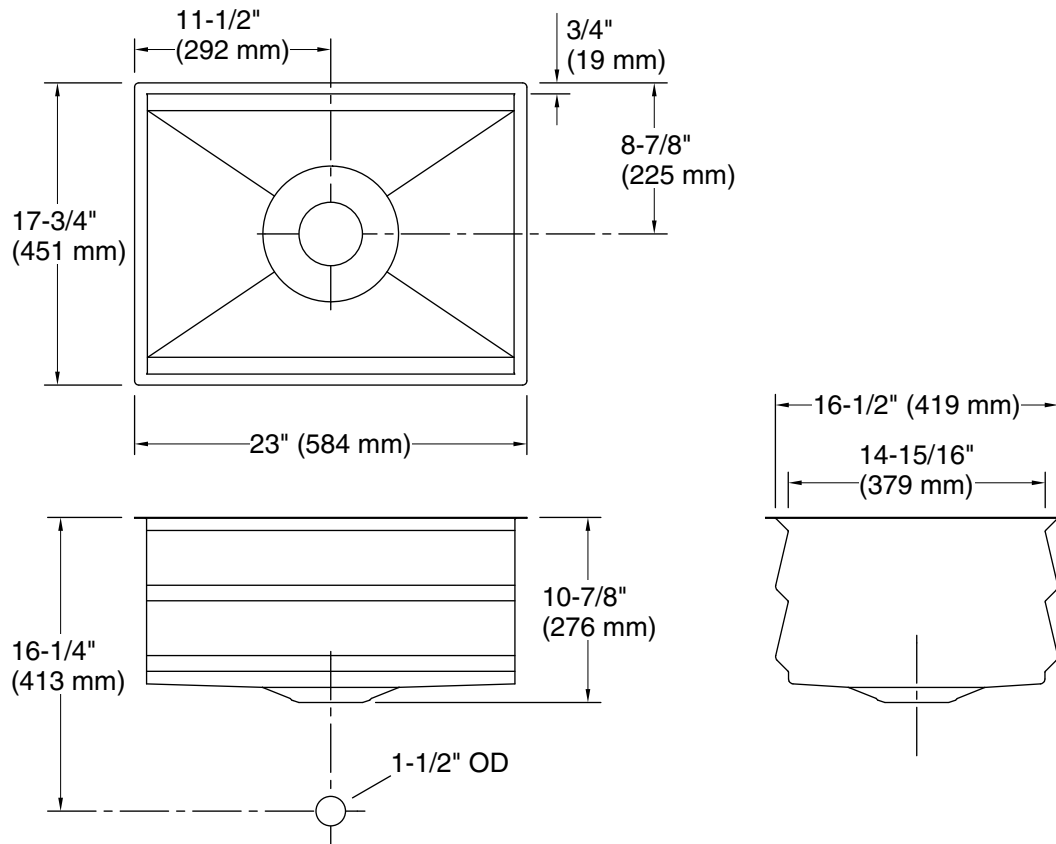


## Codes/Standards

ASME A112.19.3/CSA B45.4

## Lifetime Limited Warranty for KOHLER® Stainless Steel Sinks

See website for detailed warranty information.



## Technical Information

All product dimensions are nominal.

Installation:	Under-mount
Min. base cabinet width:	24" (610 mm)
Bowl area (Only):	Length: 21-1/2" (546 mm) Width: 14-15/16" (379 mm) Bowl depth: 9-15/16" (252 mm) Water depth: 9-15/16" (252 mm)
Drain hole:	3-3/4" (94 mm)
Template:	1311445-7, required, included

## Notes

Install this product according to the installation instructions.

Countertop manufacturer or cutter must use the cut-out template provided with the product, or a current one provided by Kohler Co. (call 1-800-43-FOCUS). Kohler Co. is not responsible for cut-out errors when the incorrect cut-out template is used.