

## Features

- 36" minimum base cabinet width.
- Large single bowl.
- 5-1/2" depth.
- No faucet holes.
- Rear drain increases workspace in the sink and storage space underneath.
- SilentShield® sound-absorption technology offers quieter performance.
- Includes installation hardware.

## Material

- Handcrafted from 18-gauge stainless steel.
- Premium 18-gauge stainless steel.

## Installation

- Under-mount.

## Recommended Products/Accessories

- K-8801 Sink Strainer
- K-8799 Sink Strainer

## Optional Products/Accessories

- K-6429 Utility Rack
- K-6644 Sink Rack
- K-11352 Disposal Flange with Stopper

## Included Components

- Product consists of:
- 91915 Hardware Kit



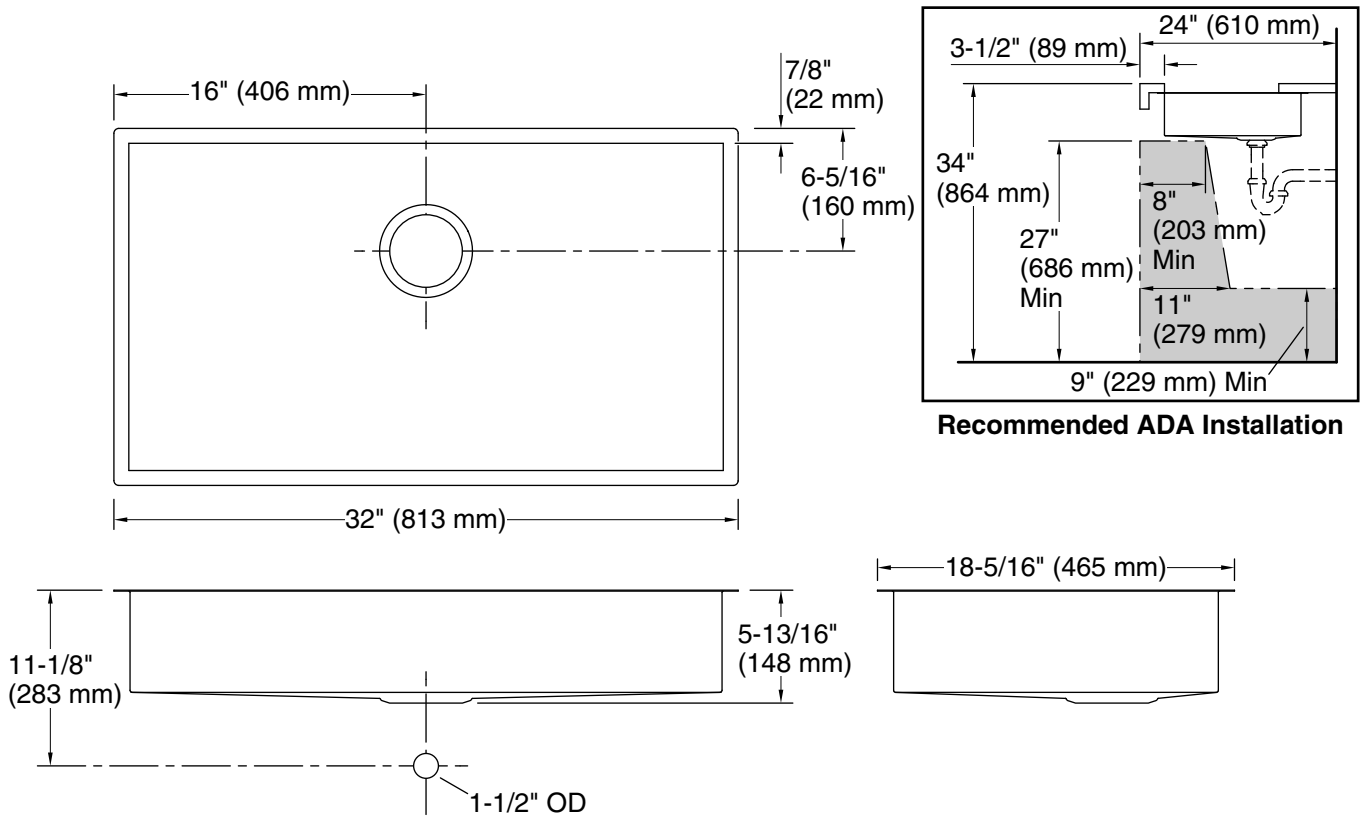
ADA

## Codes/Standards

ASME A112.19.3/CSA B45.4  
ADA  
ICC/ANSI A117.1

## Lifetime Limited Warranty for KOHLER® Stainless Steel Sinks

See website for detailed warranty information.



## Technical Information

All product dimensions are nominal.

Bowl configuration:	Single
Installation:	Undermount
Bowl area (Only):	Length: 30-1/4" (768 mm) Width: 16-9/16" (420 mm) Bowl depth: 5-1/2" (140 mm) Water depth: 5-1/2" (140 mm)
Drain hole:	3-5/8" (92 mm)
Template:	1207216-7, required, included

## Notes

Install this product according to the installation instructions.

Allow 3/4" (19 mm) clearance beyond the back of the bowl for the wood cutting board (optional accessory).

ADA compliant when installed to the specific requirements of these regulations.