

## Features

- Oval basin.
- Unique overflow drain.
- No faucet holes; requires wall- or counter-mount faucet.
- Fits standard 14- x 17-inch countertop cutout.

## Material

- Premium 20-gauge stainless steel.

## Installation

- Drop-in or under-mount.

## Required Products/Accessories

K-7114-A Pop-Up Drain

or

K-7126 Standard pop-up drain, non-exposed, with lift rod

or

K-7124-A Pop-Up Clicker Drain

or

K-7127-A Drain

or

K-7128-A Drain

or

K-7129-A Drain

or

K-7131-A Offset Drain

## Recommended Products/Accessories

K-8998 P-Trap

## Included Components

Additional Components:

1193643 Basin clamps

Cutout template.



ADA

CSA B651

## Codes/Standards

ASME A112.19.3/CSA B45.4

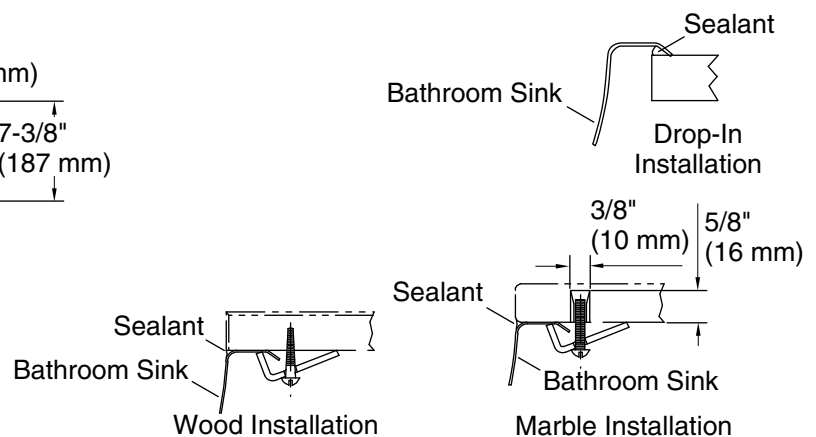
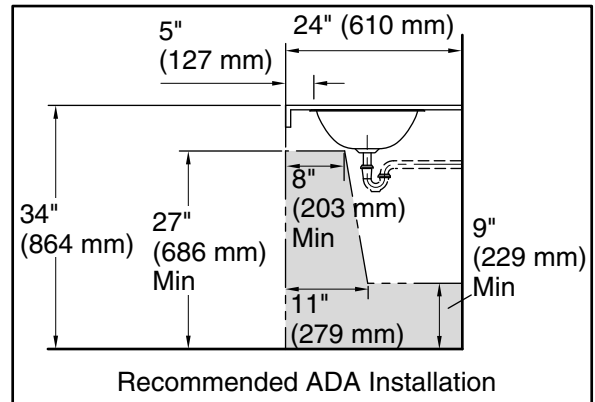
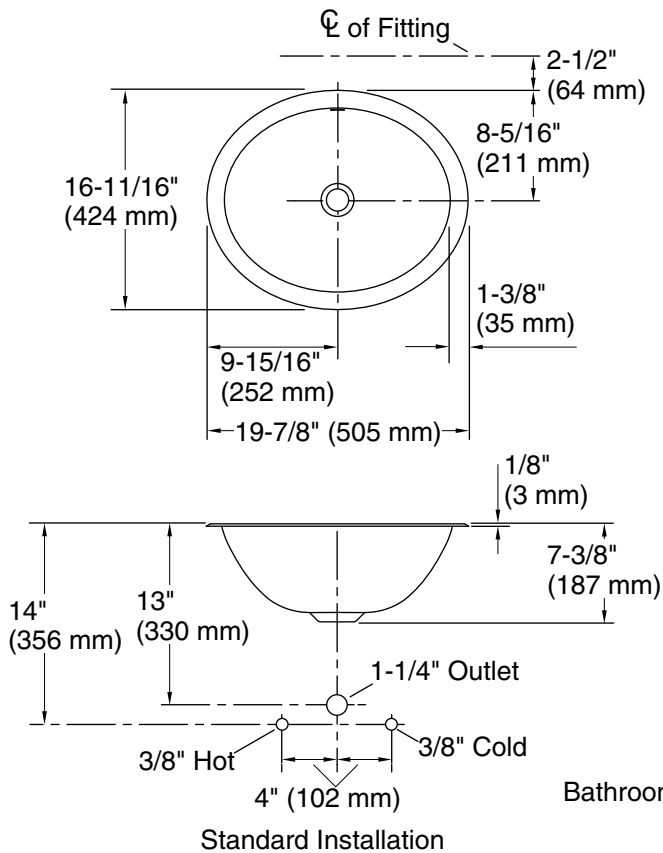
ADA

ICC/ANSI A117.1

CSA B651

## KOHLER® One-Year Limited Warranty

See website for detailed warranty information.



## Technical Information

All product dimensions are nominal.

Installation:	Drop-in, Under-mount
Bowl area:	Length: 17-3/8" (441 mm) Width: 14" (356 mm) With overflow: Yes Water depth: 4-1/16" (103 mm)
Drain hole:	1-5/8" (41 mm)
Template:	1248333-7, required, included

## Notes

Install this product according to the installation instructions.

Installer must supply anchors based on countertop material and thickness.

ADA, CSA B651 compliant when installed to the specific requirements of these regulations.