

Features

- 4-inch center faucet holes.
- Overflow drain.
- Metal frame installation.

Material

- KOHLER® enameled cast iron.

Installation

- Drop-in.

Required Products/Accessories

K-6688 Metal Frame

Recommended Products/Accessories

K-8998 P-Trap



ADA

CSA B651

Codes/Standards

ASME A112.19.1/CSA B45.2

ADA

ICC/ANSI A117.1

CSA B651

Lifetime Limited Warranty for KOHLER® Cast Iron Components

See website for detailed warranty information.

Available Colors/Finishes

Color tiles intended for reference only.

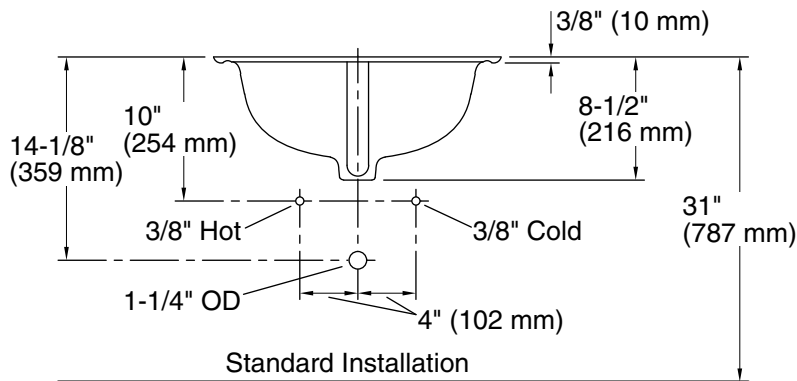
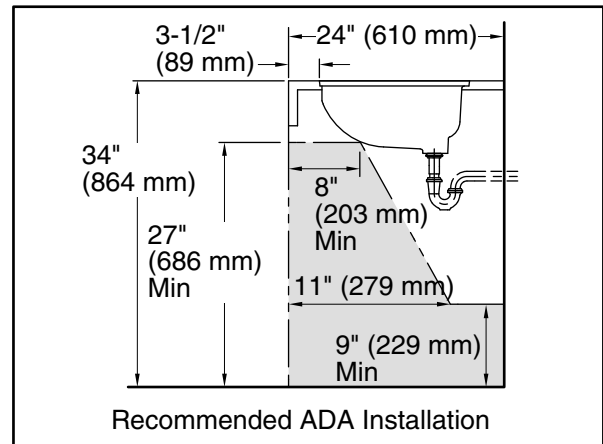
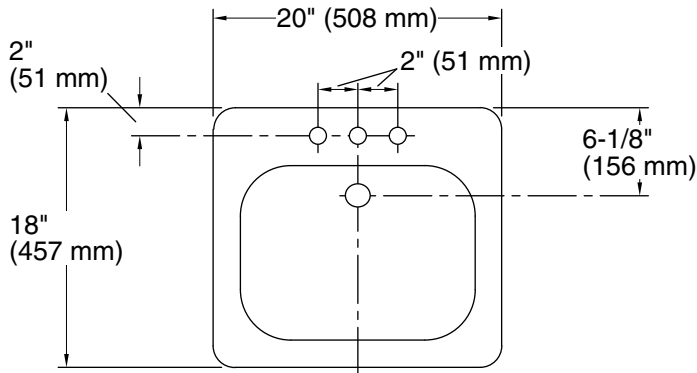
Color	Code	Description
-------	------	-------------



0 White



96 Biscuit



Technical Information

All product dimensions are nominal.

- Bowl configuration: Single
- Installation: Drop-in
- Bowl area (Only): Length: 16" (406 mm)
Width: 12" (305 mm)
Water depth: 5" (127 mm)
- Number of deck holes: 3
- Faucet hole spacing: 4" (102 mm)
- Faucet hole(s): 1-3/8" (35 mm)
- Drain hole: 1-11/16" (43 mm)

Notes

- Install this product according to the installation instructions.
- A metal frame is required for installation.
- ADA, CSA B651 compliant when installed to the specific requirements of these regulations.