



**Tahoe®**  
Drop-in Bathroom Sink  
**K-2895-1**

**Features**

- Single faucet hole.
- Overflow drain.

**Material**

- KOHLER® enameled cast iron.

**Installation**

- Drop-in.

**Recommended Products/Accessories**

K-8998 P-Trap



**ADA** **CSA B651**

**Codes/Standards**

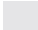


ASME A112.19.1/CSA B45.2  
ADA  
ICC/ANSI A117.1  
CSA B651

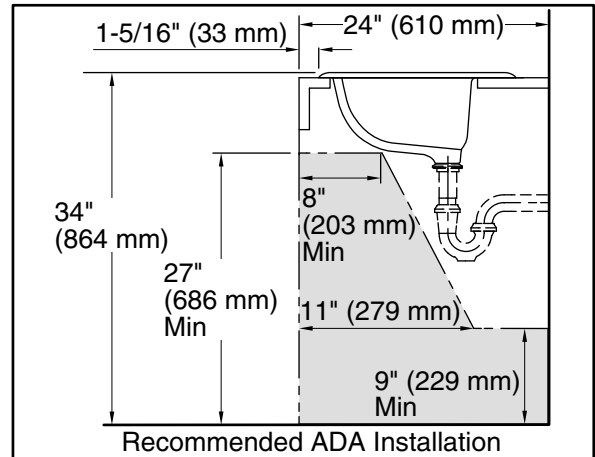
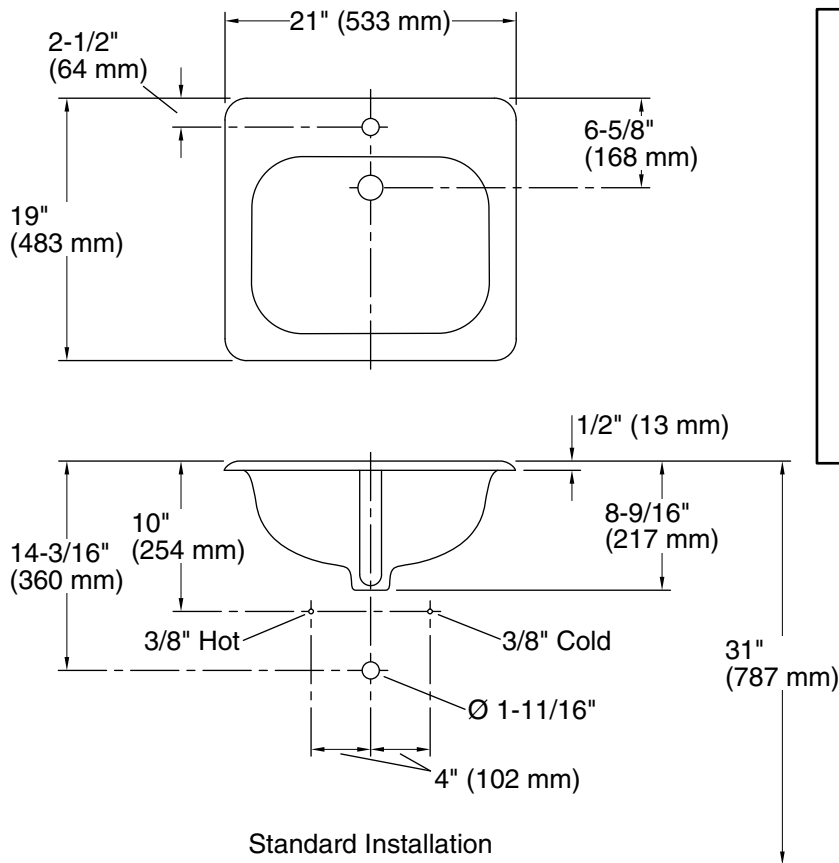
**Lifetime Limited Warranty for  
KOHLER® Cast Iron Components**

See website for detailed warranty information.

**Available Colors/Finishes**

*Color tiles intended for reference only.*

Color	Code	Description
	0	White
	96	Biscuit
	47	Almond



### Technical Information

All product dimensions are nominal.

Bowl configuration:	Single
Installation:	Drop-in
Bowl area (Only):	Length: 16" (406 mm) Width: 12" (305 mm) Water depth: 5" (127 mm)
Number of deck holes:	1
Faucet hole(s):	1-3/8" (35 mm)
Drain hole:	1-3/4" (44 mm)
Template:	116586-7, required, included

### Notes

Install this product according to the installation instructions.

ADA, CSA B651 compliant when installed to the specific requirements of these regulations.