

Features

- 36-inch minimum base cabinet width.
- Double equal bowls.
- 9-inch depth.
- No faucet holes.
- SilentShield® sound-absorption technology offers quieter performance.
- Slim divide offers a sophisticated look and maximizes basin space.
- Includes installation hardware, bottom sink rack, and bamboo cutting board.

Material

- Handcrafted from 16-gauge stainless steel.
- Premium 16-gauge stainless steel.

Installation

- Under-mount.

Recommended Products/Accessories

K-3142 Sink Rack
K-8801 Sink Strainer
K-8799 Sink Strainer

Optional Products/Accessories

K-6133 Wine Glass Rack
K-11352 Disposal Flange with Stopper

Included Components

Product consists of:
K-3140 Cutting Board
K-3142 Sink Rack
91915 Hardware Kit

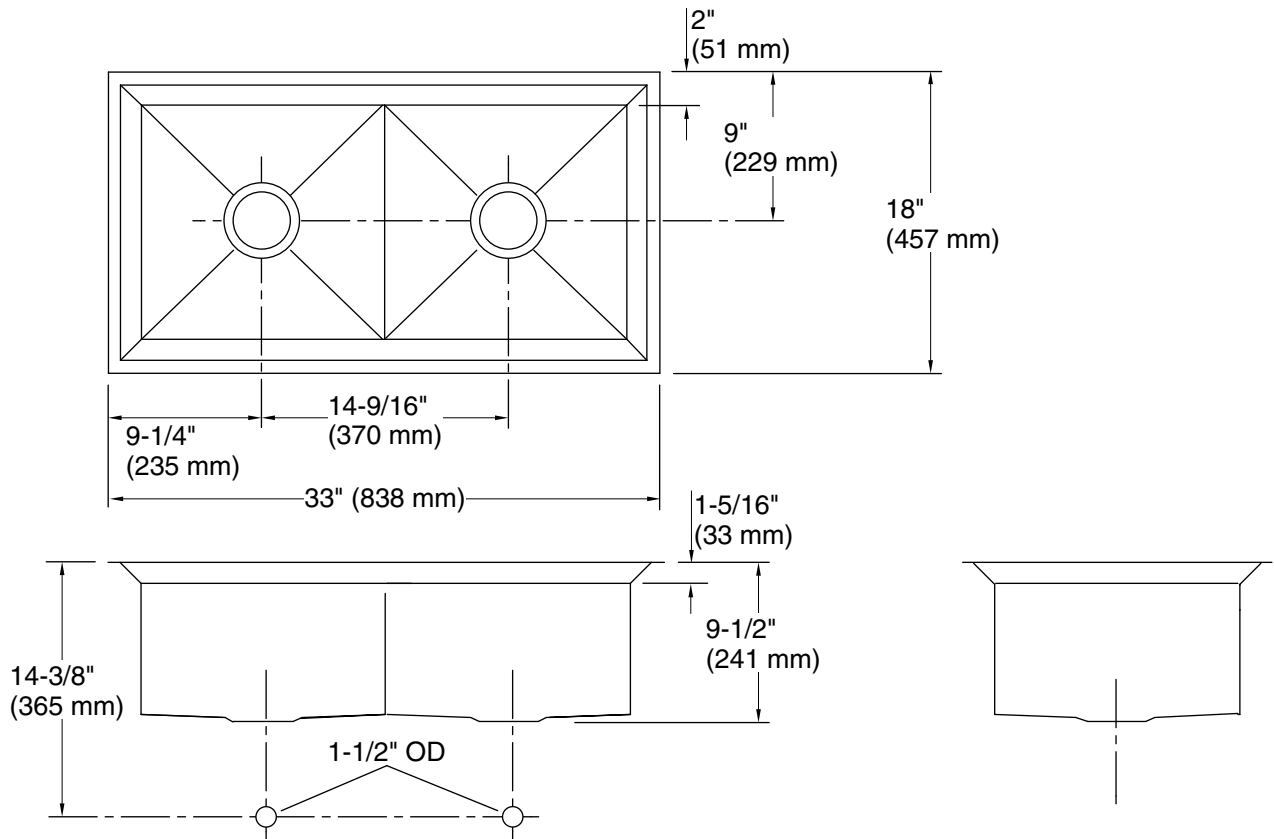


Codes/Standards

ASME A112.19.3/CSA B45.4

Lifetime Limited Warranty for KOHLER® Stainless Steel Sinks

See website for detailed warranty information.



Technical Information

All product dimensions are nominal.

Bowl configuration: Double equal

Installation: Under-mount

Min. base cabinet width: 36" (914 mm)

Bowl area (Left): Length: 14-7/16" (367 mm)
Width: 14" (356 mm)
Bowl depth: 9-3/16" (233 mm)

Bowl area (Right): Length: 14-7/16" (367 mm)
Width: 14" (356 mm)
Bowl depth: 9-3/16" (233 mm)

Drain hole: 3-5/8" (92 mm)

Template: 1021992-7, required, included

Notes

Install this product according to the installation instructions.