

Features

- Fits minimum 36-inch sink base cabinet.
- Large/medium bowls.
- 9-inch depth.
- No faucet holes.
- Slim divide offers a sophisticated look and maximizes basin space.
- SilentShield® sound-absorption technology offers quieter performance.
- Includes installation hardware, bottom sink rack for larger basin, and bamboo cutting board.

Material

- Handcrafted from 16-gauge stainless steel.
- Premium 16-gauge stainless steel.

Installation

- Under-mount.

Recommended Products/Accessories

K-3143 Sink Rack
K-8801 Sink Strainer
K-8799 Sink Strainer

Optional Products/Accessories

K-6133 Wine Glass Rack
K-11352 Disposal Flange with Stopper

Included Components

Product consists of:
K-3140 Cutting Board
K-3143 Sink Rack
91915 Hardware Kit

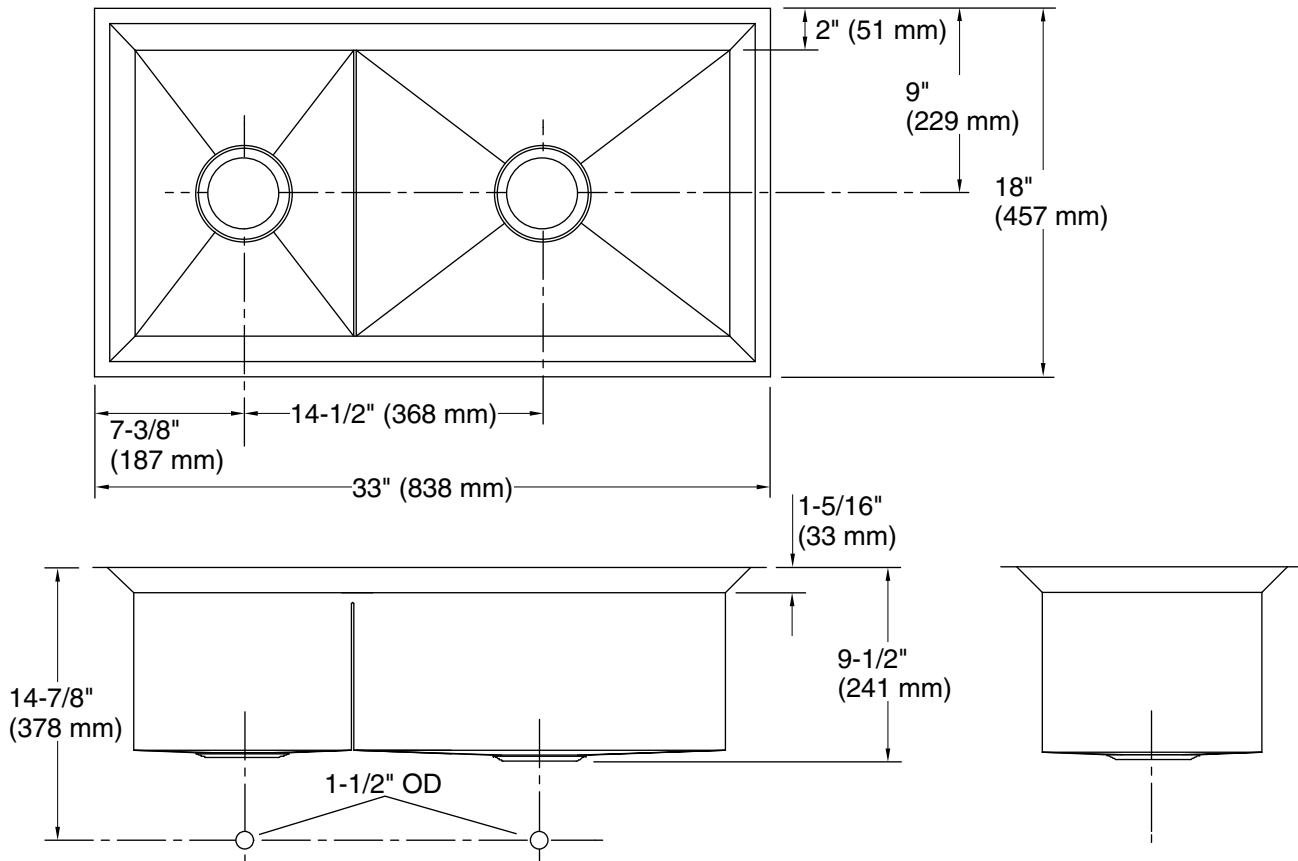


Codes/Standards

ASME A112.19.3/CSA B45.4

Lifetime Limited Warranty for KOHLER® Stainless Steel Sinks

See website for detailed warranty information.



Technical Information

All product dimensions are nominal.

Bowl configuration:	Off-set Large/small
Installation:	Under-mount
Min. base cabinet width:	36" (914 mm)
Bowl area (Left):	Length: 10-11/16" (271 mm) Width: 14" (356 mm) Bowl depth: 9-1/8" (232 mm)
Bowl area (Right):	Length: 18-3/16" (462 mm) Width: 14" (356 mm) Bowl depth: 9-1/8" (232 mm)
Drain hole:	3-5/8" (92 mm)
Template:	1021992-7, required, included

Notes

Install this product according to the installation instructions.

Allow a minimum of 2" (51 mm) clearance around the sink rim for clip attachment.