



Undertone® Preserve®

Under-Mount Kitchen Sink

K-3171-HCF

Features

- 36-inch minimum base cabinet width.
- Double equal bowls.
- 9-1/2-inch depth provides generous workspace.
- No faucet holes.
- Innovative Preserve™ sink resists scratching and withstands everyday wear and tear.
- SilentShield® sound-absorption technology offers quieter performance.
- Rear drain increases workspace in the sink and storage space underneath.
- Includes one bottom sink rack.
- Includes installation hardware.

Material

- Premium 18-gauge stainless steel.

Installation

- Under-mount.

Recommended Products/Accessories

K-6388 Sink Rack
K-3294 Cutting Board
K-8801 Sink Strainer (Qty 2)
K-8799 Sink Strainer

Optional Products/Accessories

K-11352 Disposal Flange with Stopper

Included Components

Additional Components:
Bottom Bowl Rack

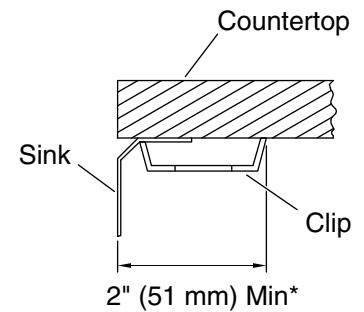
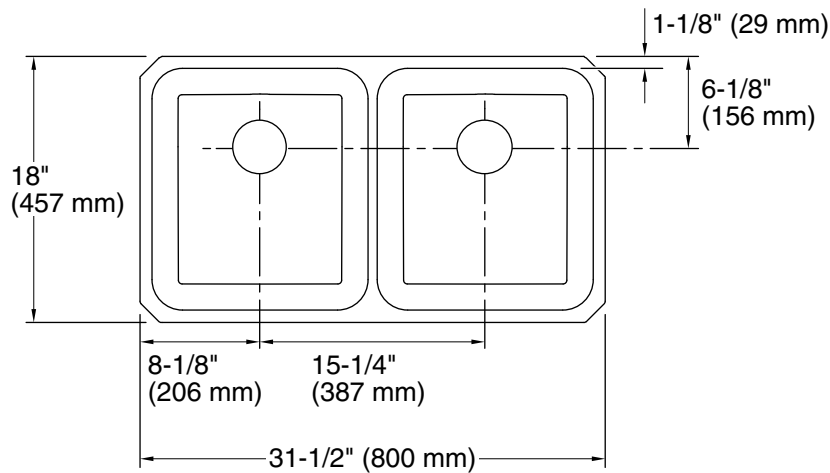


Codes/Standards

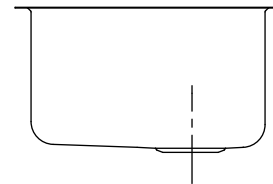
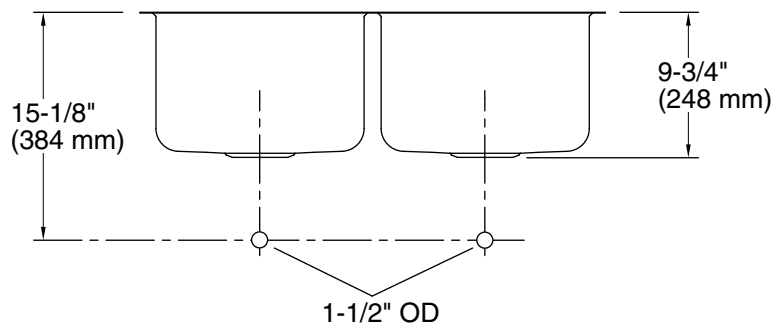
ASME A112.19.3/CSA B45.4

Lifetime Limited Warranty for KOHLER® Stainless Steel Sinks

See website for detailed warranty information.



* Allow clearance around sink rim for clip attachment.



Technical Information

All product dimensions are nominal.

Bowl configuration: Double equal

Installation: Under-mount

Min. base cabinet width: 36" (914 mm)

Bowl area (Left):
Length: 14" (356 mm)
Width: 15-3/4" (400 mm)
Bowl depth: 9-1/2" (241 mm)
Water depth: 9-1/2" (241 mm)

Bowl area (Right):
Length: 14" (356 mm)
Width: 15-3/4" (400 mm)
Bowl depth: 9-1/2" (241 mm)
Water depth: 9-1/2" (241 mm)

Drain hole: 3-3/4" (94 mm)

Template: 1221369-7, required, included

Notes

Install this product according to the installation instructions.

Allow a minimum of 2" (51 mm) clearance around the sink rim for clip attachment.