



Undertone®
Under-Mount Kitchen Sink
K-3174

Features

- 36-inch minimum base cabinet width.
- Large/small bowls with high/low design.
- 9-1/2-inch left depth and 5-1/2-inch right depth.
- No faucet holes.
- SilentShield® sound-absorption technology offers quieter performance.
- Includes installation hardware.

Material

- Premium 18-gauge stainless steel.

Installation

- Under-mount.

Recommended Products/Accessories

- K-3294 Cutting Board
- K-8801 Sink Strainer (Qty 2)
- K-8799 Sink Strainer

Optional Products/Accessories

- K-11352 Disposal Flange with Stopper

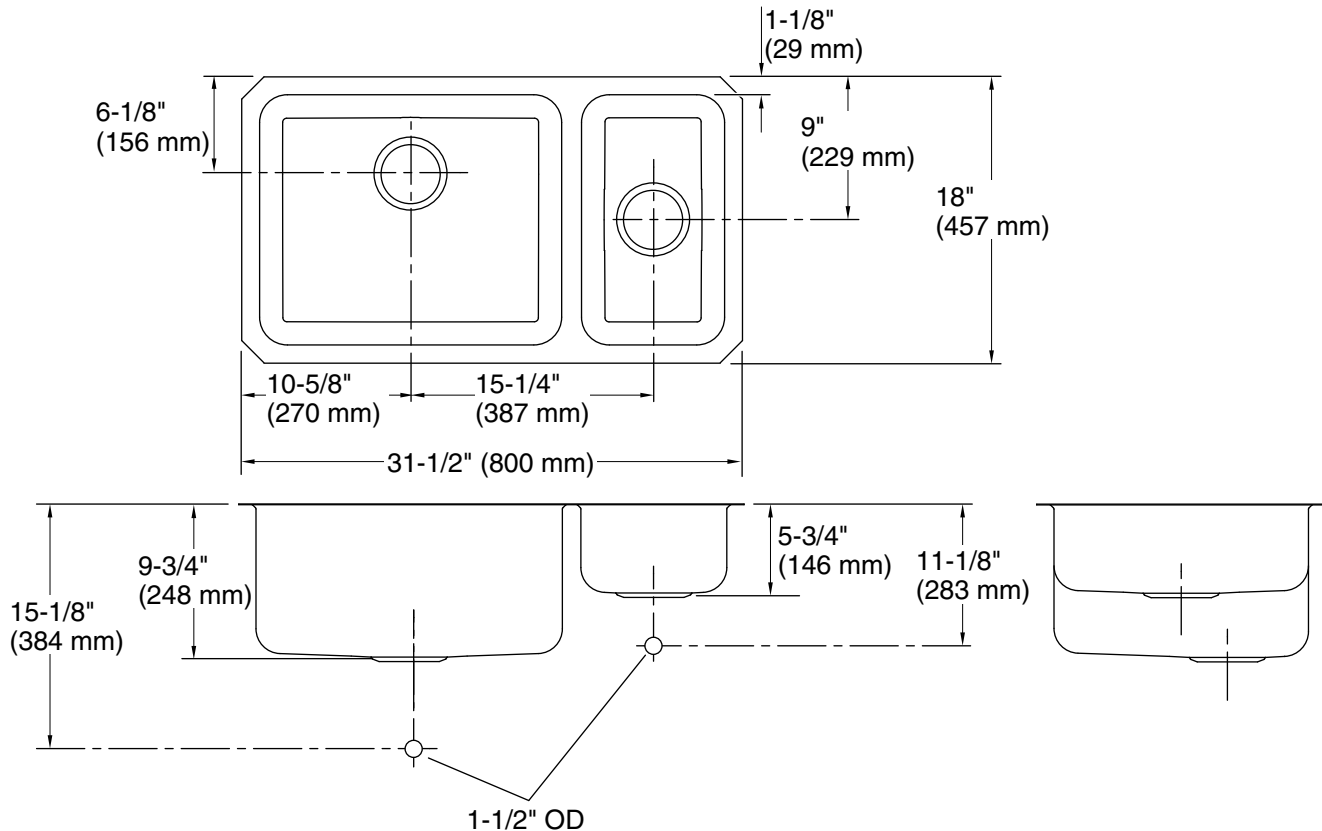


Codes/Standards

ASME A112.19.3/CSA B45.4

**Lifetime Limited Warranty for
KOHLER® Stainless Steel Sinks**

See website for detailed warranty information.



Technical Information

All product dimensions are nominal.

Bowl configuration:	High-low
Installation:	Under-mount
Min. base cabinet width:	36" (914 mm)
Bowl area (Left):	Length: 19" (483 mm) Width: 15-3/4" (400 mm) Bowl depth: 9-1/2" (241 mm) Water depth: 9-1/2" (241 mm)
Bowl area (Right):	Length: 9" (229 mm) Width: 15-3/4" (400 mm) Bowl depth: 5-1/2" (140 mm) Water depth: 5-1/2" (140 mm)
Drain hole:	3-3/4" (94 mm)
Template:	1221369-7, required, included

Notes

Install this product according to the installation instructions.