



Undertone®
Under-Mount Kitchen Sink
K-3179

Features

- Single basin design.
- Sink can operate as a secondary or prep sink for ultimate flexibility when designing a custom workspace.
- If you would like sink K-3179-NA with wire rack and storage basket, please order K-3154-NA.

Recommended Products/Accessories

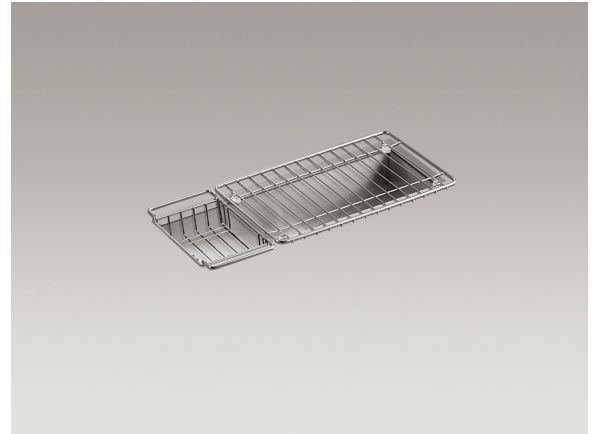
- K-8801 Sink Strainer
- K-8799 Sink Strainer

Optional Products/Accessories

- K-11352 Disposal Flange with Stopper

Included Components

- Product consists of:
91915 Hardware Kit

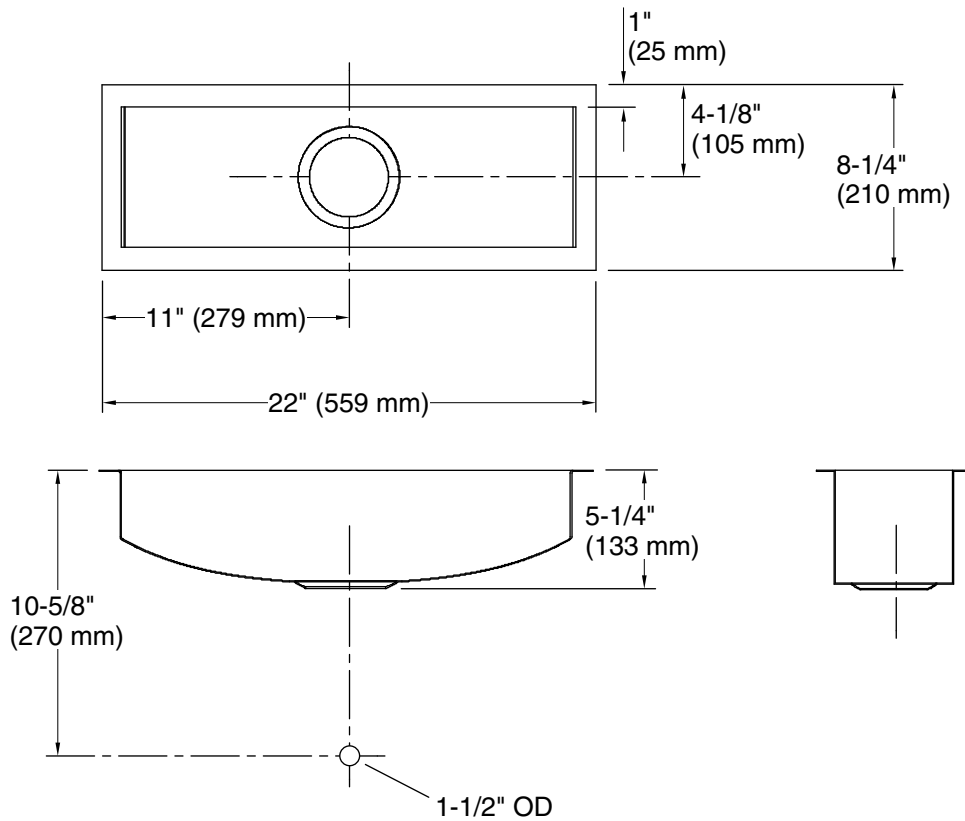


Codes/Standards

ASME A112.19.3/CSA B45.4

**Lifetime Limited Warranty for
KOHLER® Stainless Steel Sinks**

See website for detailed warranty information.



Technical Information

All product dimensions are nominal.

Bowl configuration:	Single
Installation:	Under-mount
Min. base cabinet width:	24" (610 mm)
Bowl area (Only):	Length: 20" (508 mm) Width: 6-1/4" (159 mm) Water depth: 4-7/8" (124 mm)
Drain hole:	3-5/8" (92 mm)
Template:	1022026-7, required, included

Notes

Install this product according to the installation instructions.