



Undertone® Preserve®

Under-Mount Kitchen Sink

K-3325-HCF

Features

- 27-inch minimum base cabinet width.
- Single bowl.
- 9-1/2-inch depth provides generous workspace.
- No faucet holes.
- Innovative Preserve™ sink resists scratching and withstands everyday wear and tear.
- SilentShield® sound-absorption technology offers quieter performance.
- Rear drain increases workspace in the sink and storage space underneath.
- Includes bottom sink rack.
- Includes installation hardware.

Material

- Premium 18-gauge stainless steel.

Installation

- Under-mount.

Recommended Products/Accessories

- K-3192 Sink Rack
- K-6391 Sink Rack
- K-8801 Sink Strainer
- K-8799 Sink Strainer

Optional Products/Accessories

- K-11352 Disposal Flange with Stopper

Included Components

- Product consists of:
- K-6391 Sink Rack

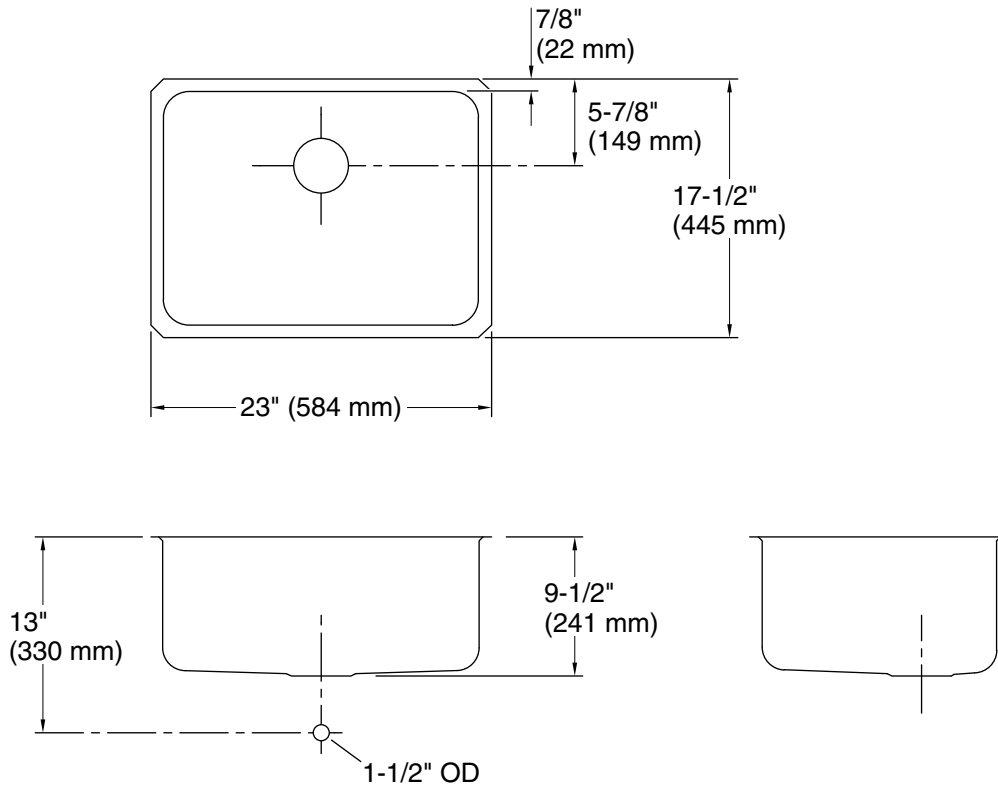


Codes/Standards

ASME A112.19.3/CSA B45.4

STERLING® Warranty - Stainless Steel Sinks

See website for detailed warranty information.



Technical Information

All product dimensions are nominal.

Bowl configuration:	Single
Installation:	Under-mount
Min. base cabinet width:	27" (686 mm)
Bowl area (Center):	Length: 21-1/4" (540 mm) Width: 15-3/4" (400 mm) Bowl depth: 9-1/2" (241 mm) Water depth: 9-1/2" (241 mm)
Drain hole:	3-3/4" (94 mm)
Template:	113193, required, included

Notes

Install this product according to the installation instructions.