

Features

- 36-inch minimum base cabinet width.
- Double equal bowls.
- 9-inch depth.
- Three faucet holes with one accessory hole to the right.
- Smart Divide® features a lower bowl divider that increases workspace and versatility.
- Includes installation hardware and bottom sink rack.
- SilentShield® sound-absorption technology offers quieter performance.

Material

- Handcrafted from 18-gauge stainless steel.
- Premium 18-gauge stainless steel.

Installation

- Top-mount or under-mount.

Recommended Products/Accessories

- K-6641 Stainless steel sink rack
- K-8801 Sink Strainer
- K-8799 Sink Strainer

Optional Products/Accessories

- K-6429 Utility Rack
- K-6432 Saddle Towel Bar
- K-6434 Saddle Utility Rack
- K-6667 Wood Cutting Board
- 1177161 Installation Clip Kit
- K-11352 Disposal Flange with Stopper

Included Components

Product consists of:

- 1130570 Hardware Kit, Self-Rimming
- K-6641 Stainless steel sink rack

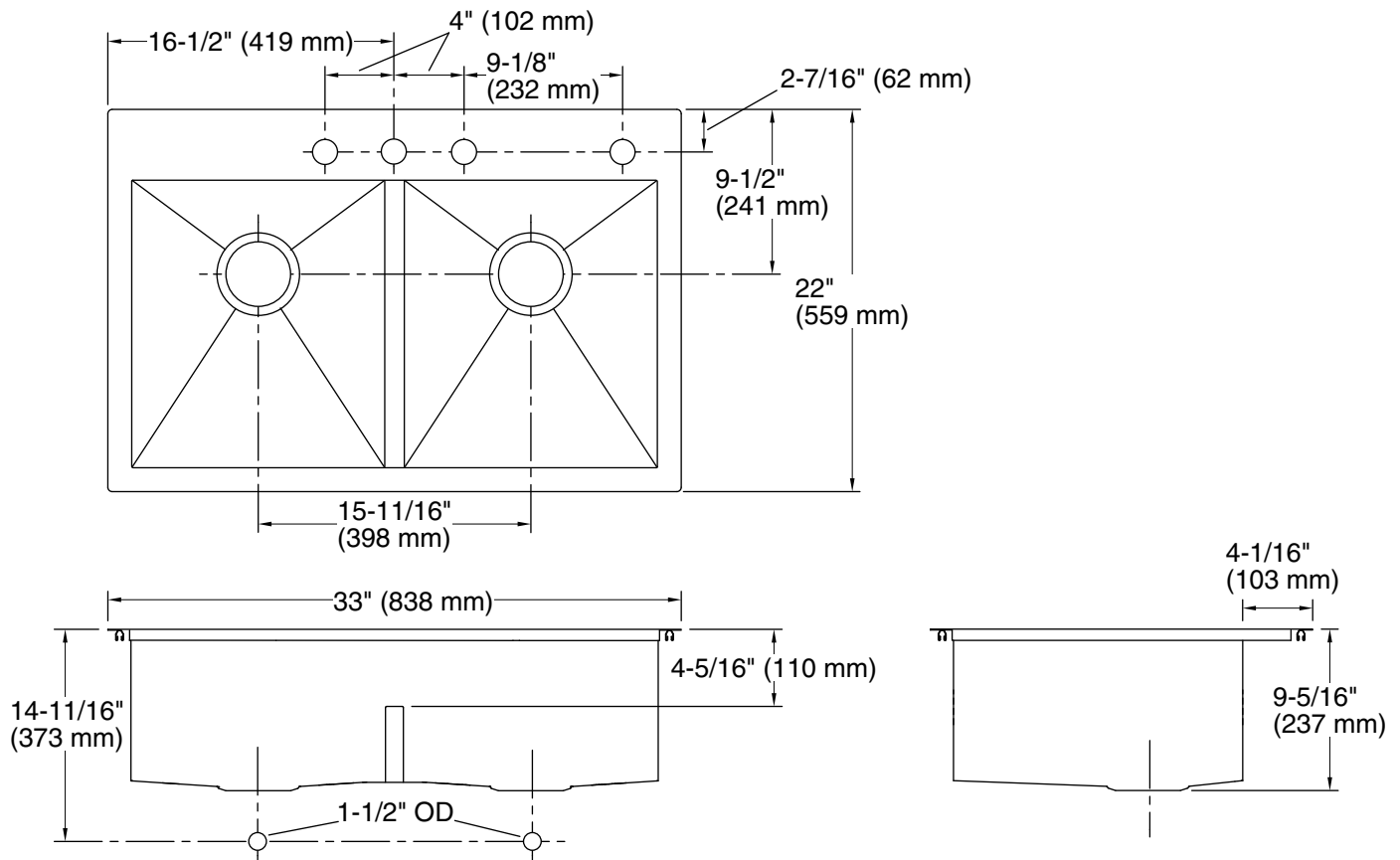


Codes/Standards

ASME A112.19.3/CSA B45.4

Lifetime Limited Warranty for KOHLER® Stainless Steel Sinks

See website for detailed warranty information.



Technical Information

All product dimensions are nominal.

- Bowl configuration: Double equal
 Installation: Top-mount, Under-mount
 Min. base cabinet width: 36" (914 mm)
 Bowl area (Left): Length: 14-9/16" (370 mm)
 Width: 16-9/16" (421 mm)
 Bowl depth: 9" (229 mm)
 Water depth: 4-11/16" (119 mm)
 Bowl area (Right): Length: 14-9/16" (370 mm)
 Width: 16-9/16" (421 mm)
 Bowl depth: 9" (229 mm)
 Water depth: 4-11/16" (119 mm)
 Number of deck holes: 4
 Faucet hole spacing: 4" (102 mm)
 Faucet hole(s): 1-7/16" (37 mm)
 Drain hole: 3-5/8" (92 mm)
 Template: 1130821-7, required, included

Notes

- Install this product according to the installation instructions.
 Allow 3/4" (19 mm) clearance beyond the back of the bowl for the wood cutting board (optional accessory).