

Features

- 27-inch minimum base cabinet width.
- Single bowl.
- 6-inch depth.
- Three faucet holes with one accessory hole to the right.
- Rear drain increases workspace in the sink and storage space underneath.
- SilentShield® sound-absorption technology offers quieter performance.
- For under-mount installation, countertop thickness cannot be greater than 1 inch (25 mm) for ADA compliance.
- Includes installation hardware.

Material

- Handcrafted from 18-gauge stainless steel.
- Premium 18-gauge stainless steel.

Installation

- Top-mount or under-mount.

Recommended Products/Accessories

K-8801 Sink Strainer
K-8799 Sink Strainer

Optional Products/Accessories

1177161 Installation Clip Kit
K-11352 Disposal Flange with Stopper

Included Components

Product consists of:

1130570 Hardware Kit, Self-Rimming



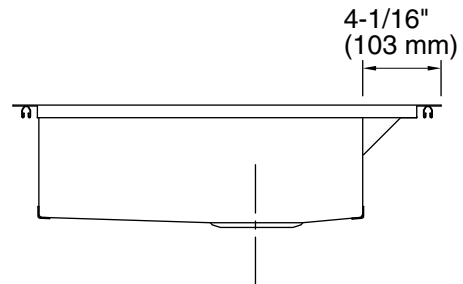
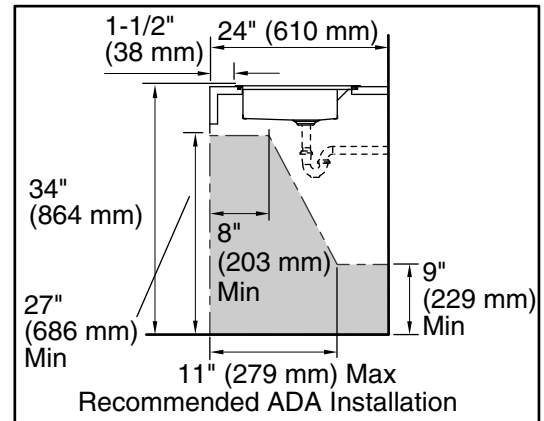
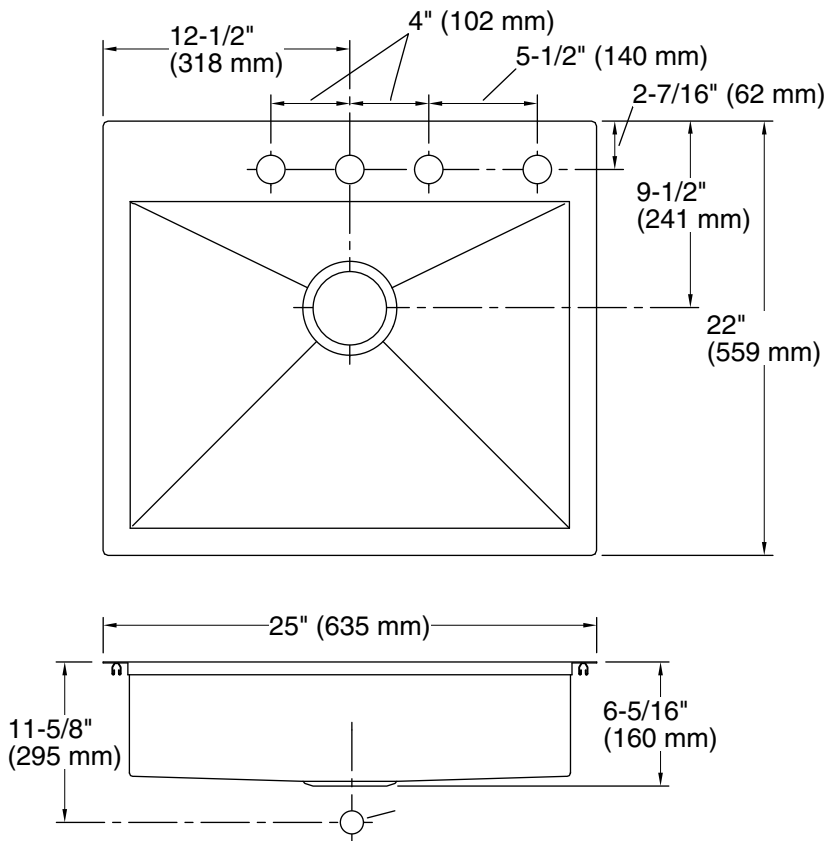
ADA

Codes/Standards

ASME A112.19.3/CSA B45.4
ADA
ICC/ANSI A117.1

KOHLER® One-Year Limited Warranty

See website for detailed warranty information.



Technical Information

All product dimensions are nominal.

Bowl configuration:	Single
Installation:	Top-mount, Under-mount
Min. base cabinet width:	27" (686 mm)
Bowl area (Only):	Length: 22-1/4" (565 mm) Width: 16-9/16" (420 mm) Bowl depth: 6" (152 mm) Water depth: 6" (152 mm)
Number of deck holes:	4
Faucet hole spacing:	4" (102 mm)
Faucet hole(s):	1-7/16" (37 mm)
Soap/Lotion hole:	1-7/16" (37 mm)
Drain hole:	3-3/4" (94 mm)
Template:	1130822-7, required, included

Notes

Install this product according to the installation instructions.

Hardward Kit 1177161 needed for countertops with a 2-1/2" (64 mm) thickness or less.

For under-mount installation, counter top thickness can not be greater than 1" (25 mm) for ADA compliance.

ADA compliant when installed to the specific requirements of these regulations.