

Features

- 27-inch minimum base cabinet width.
- Medium single bowl.
- 6-inch depth.
- No faucet holes.
- Rear drain increases workspace in the sink and storage space underneath.
- SilentShield® sound-absorption technology offers quieter performance.
- Countertop thickness cannot be greater than 1 inch (25 mm) for ADA compliance.
- Includes installation hardware.

Material

- Handcrafted from 18-gauge stainless steel.
- Premium 18-gauge stainless steel.

Installation

- Under-mount.

Recommended Products/Accessories

K-8801 Sink Strainer
K-8799 Sink Strainer

Optional Products/Accessories

K-6645 Sink Rack
K-6429 Utility Rack
K-6667 Wood Cutting Board
K-11352 Disposal Flange with Stopper

Included Components

Product consists of:
91915 Hardware Kit



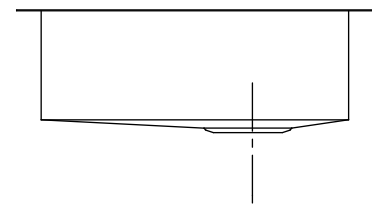
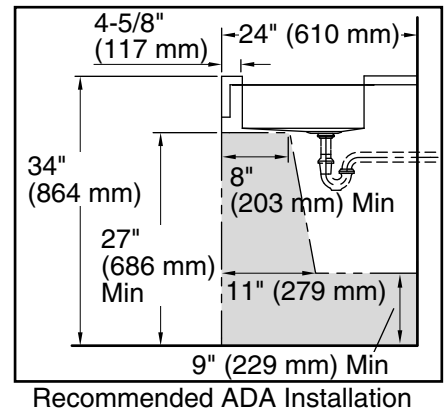
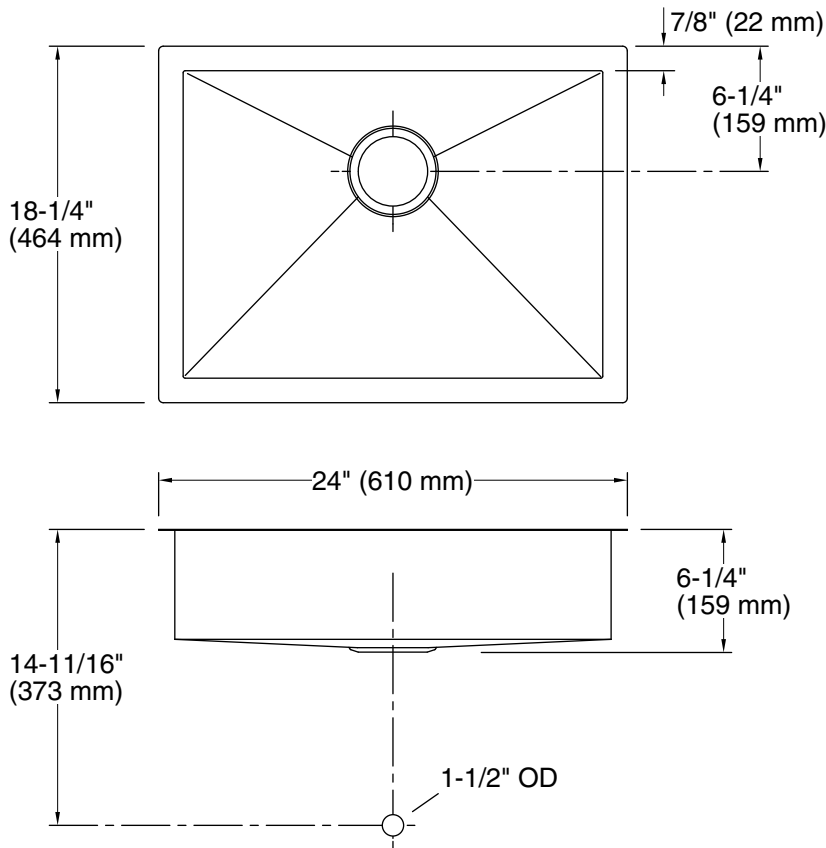
ADA

Codes/Standards

ASME A112.19.3/CSA B45.4
ADA
ICC/ANSI A117.1

Lifetime Limited Warranty for KOHLER® Stainless Steel Sinks

See website for detailed warranty information.



Technical Information

All product dimensions are nominal.

Bowl configuration:	Single
Installation:	Under-mount
Min. base cabinet width:	27" (686 mm)
Bowl area (Only):	Length: 22-1/4" (565 mm) Width: 16-9/16" (420 mm) Bowl depth: 6" (152 mm) Water depth: 6" (152 mm)
Drain hole:	3-3/4" (95 mm)
Template:	1207218-7, required, included

Notes

- Install this product according to the installation instructions.
- Allow 3/4" (19 mm) clearance beyond the back of the bowl for the wood cutting board (optional accessory).
- ADA compliant when installed to the specific requirements of these regulations.