

### Features

- 30-inch minimum base cabinet width.
- Single bowl.
- 9-inch depth.
- Short apron allows sink to be used in most standard cabinetry or retrofitted to existing standard cabinetry.
- Self-Trimming apron overlaps the cabinet face for easy installation.
- No faucet holes.
- Rear drain increases workspace in the sink and storage space underneath.
- Includes installation hardware and bottom sink rack.
- SilentShield® sound-absorption technology offers quieter performance.

### Material

- Handcrafted from 18-gauge stainless steel.
- Premium 18-gauge stainless steel.

### Installation

- Under-mount apron-front.

### Recommended Products/Accessories

K-8801 Sink Strainer  
K-8799 Sink Strainer

### Optional Products/Accessories

K-11352 Disposal Flange with Stopper

### Included Components

Product consists of:  
91915 Hardware Kit

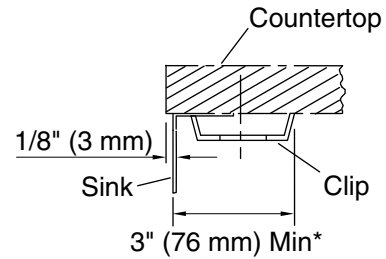
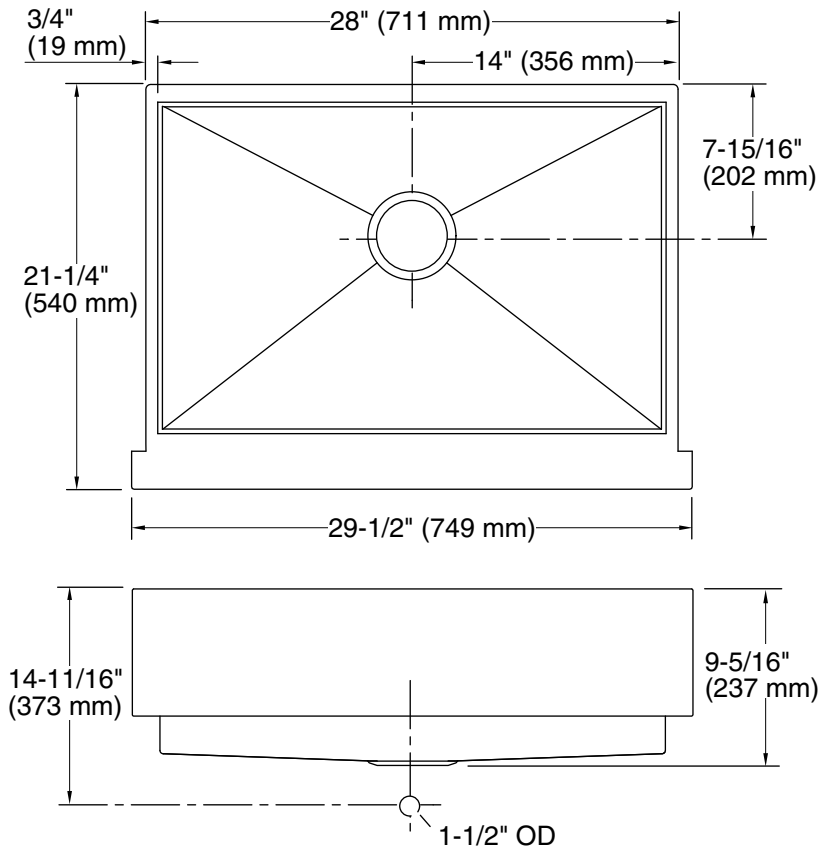


### Codes/Standards

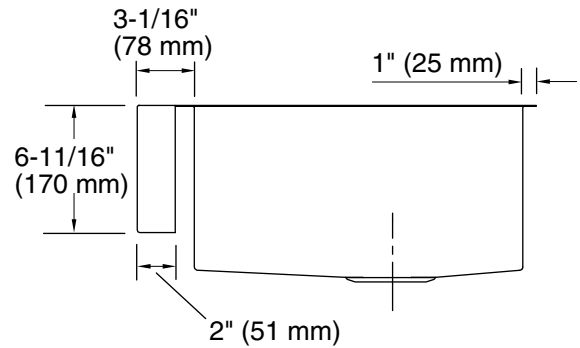
ASME A112.19.3/CSA B45.4

### Lifetime Limited Warranty for KOHLER® Stainless Steel Sinks

See website for detailed warranty information.



\*Allow clearance around the back sink rim for clip attachment.



### Technical Information

All product dimensions are nominal.

Bowl configuration:	Single
Installation:	Top-mount, Under-mount
Min. base cabinet width:	30" (762 mm)
Bowl area (Only):	Length: 26-1/2" (673 mm) Width: 17-3/16" (437 mm) Bowl depth: 9" (229 mm)
Drain hole:	3-11/16" (94 mm)
Template:	1166718-7, required, included

### Notes

Install this product according to the installation instructions.

Allow a minimum of 3" (76 mm) clearance for the back 1" (25 mm) sink rim flange for clip attachment.

The 3/4" (19 mm) side rim flanges are supported without using the clip attachment. See the installation guide for further instructions.